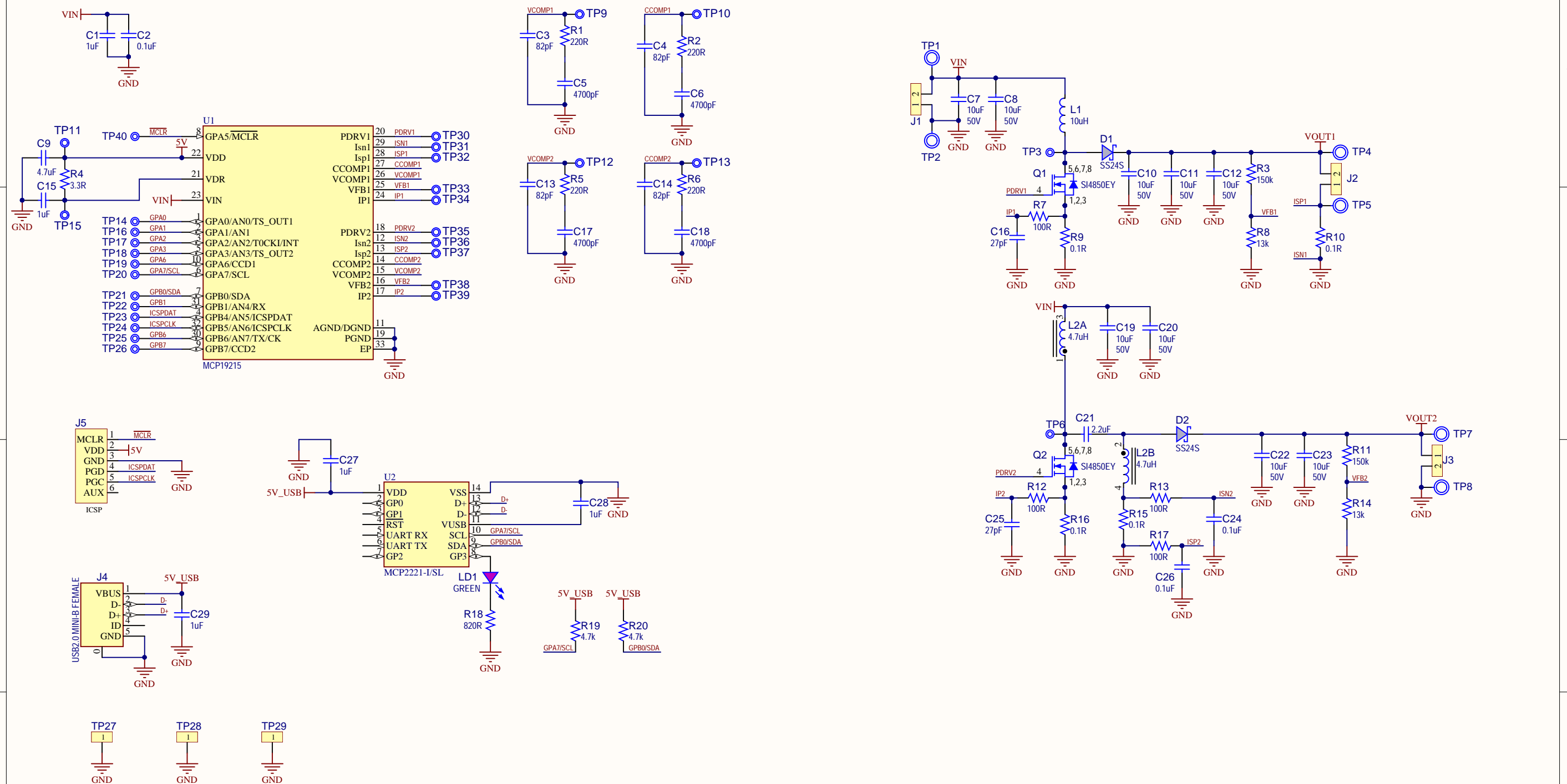


REV	ECO#	DESCRIPTION	DATE



LABEL1  
 Need Help?  
<http://support.microchip.com>  
 Ass'y# Serial #  
 Label Need Help Large



Drawn By: George Popescu	MICROCHIP
Engineer: Sergiu Oprea	
PartNumber: ADM00799	Project Title <b>MCP19215 Evaluation Board</b>
Sheet Title <b>MCP19215 Evaluation Board</b>	
Size B	Sch #03-10611 Date: 11/21/2016 1:26:03 PM Revision: 1.1 Sheet 1 of 1
File: MCP19215 Evaluation Board_Schematic.SchDoc	
<b>Altium</b> Altium.com	