

96KBM-8C-XX

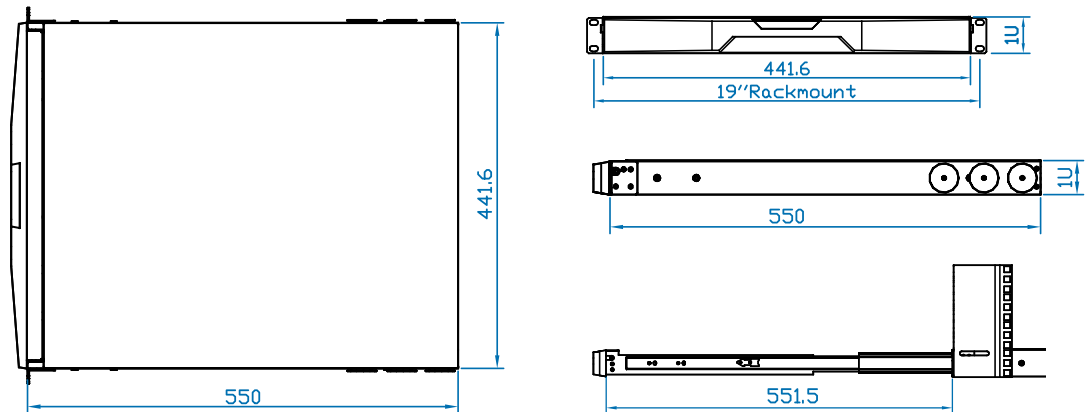


Drawer Features & Benefits

- ▶ Cost effective Combo DB-15 8-port KVM integration
- ▶ Mix PS/2, USB & SUN with Multi-Platform switch capability
- ▶ 104-key keyboard with touchpad
- ▶ Enhanced aesthetics with molded front handle and two point lock
- ▶ Combo interface either PS/2 or USB for keyboard drawer



Diagrams (mm)



Specifications

- **Keyboard layout :** USA English
- **Weight**
 - Net : 11.4 kgs / 25.1 lbs
 - Gross : 14.1 kgs / 31 lbs
- **Casing Color :** Black (RAL 9005)
- **Dimensions**
 - Product : 441.6 x 550 x 44 mm / 17.4 x 21.7 x 1.73 inch
 - Packing : 574 x 743 x 95 mm / 22.6 x 29.3 x 3.7 inch
- **Environmental**
 - Operating temperature : 0 to 55°C degree
 - Storage temperature : -20 to 60°C degree
 - Operating humidity : 20~90%, non-condensing
 - Storage humidity : 5 ~90%, non-condensing
 - Operating altitude : 16,000 ft
 - Non-operating altitude : 40,000 ft
 - Shock : 10G acceleration (11ms duration)
 - Vibration : 5~500Hz 1G RMS random vibration

Regulatory

- Safety : FCC & CE certified
- Environmental : RoHS2 & REACH compliant

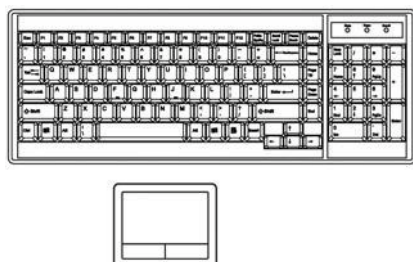
Combo DB-15 KVM



- KVM port : 8 x combo DB-15 connector
- Server Support**
 - Video : Resolution up to 1920 x 1080 / 1920 x 1200
- KVM Switching :** via Front button, OSD menu & hotkeys
- Connectivity :** Combo 4-in-1 KVM cable
- Combo KVM Cable :** CE-6, 6 feet combo KVM cable (bundle 8 pcs)
CE-10, 10 feet combo KVM cable (optional)
CE-15, 15 feet combo KVM cable (optional)
(Server end : VGA + USB or PS/2)
(KVM port : VGA)

Standard Keyboard

Ge G keyboard integrated with touchpad



Optional layouts

Region	Country	Country	Country	Country	Country	
EMEA	United Kingdom	Germany	France	Spain	Norway	
	Italy	Russia	Switzerland	Netherlands	Portugal	
	Asia	China	Japan	Korea	Arabia	Turkey

Ordering Part Number

Model	Plug Type
96KBM-8C-EU	European Plug
96KBM-8C-IN	Indian Plug
96KBM-8C-US	US Plug
96KBM-8C-UK	UK Plug