

4802, Plug, solder terminal, insulated, 3.5 mm, 3-pole, straight, UK-Connector



See below:

[Approvals and Compliances](#)

Description

- Solder terminal : for cable mounting
- Data and Signal transfer
- Data and Signal Connectors 3-pole , insulated , straight

Characteristics

- Does not comply with the JAP or BPO standard

References

Alternative: Housing shielded [4802.1300](#)

Technical Data

| | | | |
|-----------------------|---------------------|---------------------------------|------------------|
| Diameter | 3.5 mm | Allowable Operation Temperature | -20°C to 70°C |
| Number of Poles | 3-pole | Terminal | solder terminal |
| Ratings DC | 1 A / 12VDC | Housings | insulated |
| Ratings AC | 1 A / 12VAC | Style | straight |
| Dielectric Strength | 500VDC | Lifetime | 10000 Insertions |
| Insulation Resistance | > 10000 MΩ @ 500VDC | | |




Approvals and Compliances

Detailed information on product approvals, code requirements, usage instructions and detailed test conditions can be looked up in [Details about Approvals](#)

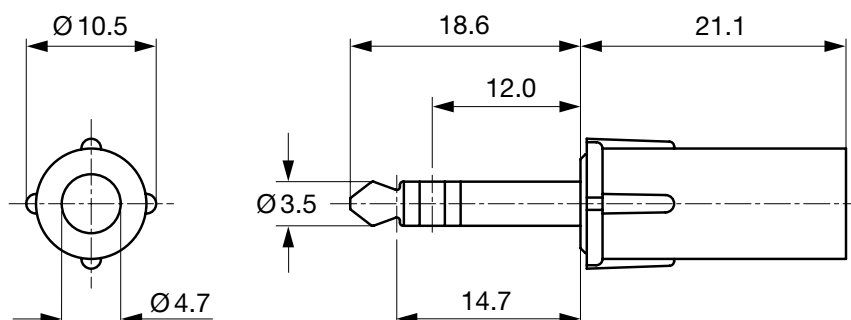
SCHURTER products are designed for use in industrial environments. They have approvals from independent testing bodies according to national and international standards. Products with specific characteristics and requirements such as required in the automotive sector according to IATF 16949, medical technology according to ISO 13485 or in the aerospace industry can be offered exclusively with customer-specific, individual agreements by SCHURTER.

Compliances

The product complies with following Guide Lines

| Identification | Details | Initiator | Description |
|---|------------|-------------|---|
|  | RoHS | SCHURTER AG | Directive RoHS 2011/65/EU, Amendment (EU) 2015/836 |
|  | China RoHS | SCHURTER AG | The law SJ / T 11363-2006 (China RoHS) has been in force since 1 March 2007. It is similar to the EU directive RoHS. |
|  | REACH | SCHURTER AG | On 1 June 2007, Regulation (EC) No 1907/2006 on the Registration, Evaluation, Authorization and Restriction of Chemicals 1 (abbreviated as "REACH") entered into force. |

Dimensions [mm]



All Variants

| Product group | Diameter [mm] | Number of Poles | Terminal | Order Number |
|------------------------------|---------------|-----------------|-----------------|--------------|
| Data and Signal Plug/Sockets | 3.5 | 3-pole | solder terminal | 4802.1310 |

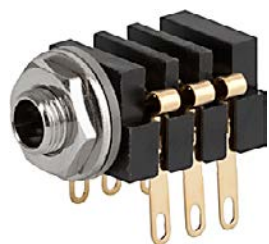
Most Popular.

Availability for all products can be searched real-time: <https://www.schurter.com/en/Stock-Check/Stock-Check-SCHURTER>

Packaging unit 100 Pcs

Mating Outlets/Connectors

Category / Description



[Data and Signal Plug/Socket Overview complete](#)

| | |
|--|-----------|
| 4802, Socket, solder terminal, screened, 3.5 mm, 3-pole, straight, UK-Connector | 4802.2300 |
| 4802, Socket, solder terminal, insulated, 3.5 mm, 3-pole, straight, UK-Connector | 4802.2310 |
| 4802, Socket, PCB terminals, screened, 3.5 mm, 3-pole, straight, UK-Connector | 4802.2320 |
| 4802, Socket, PCB terminals, insulated, 3.5 mm, 3-pole, straight, UK-Connector | 4802.2330 |

[Data and Signal Plug/Socket further types to 4802.1310](#)