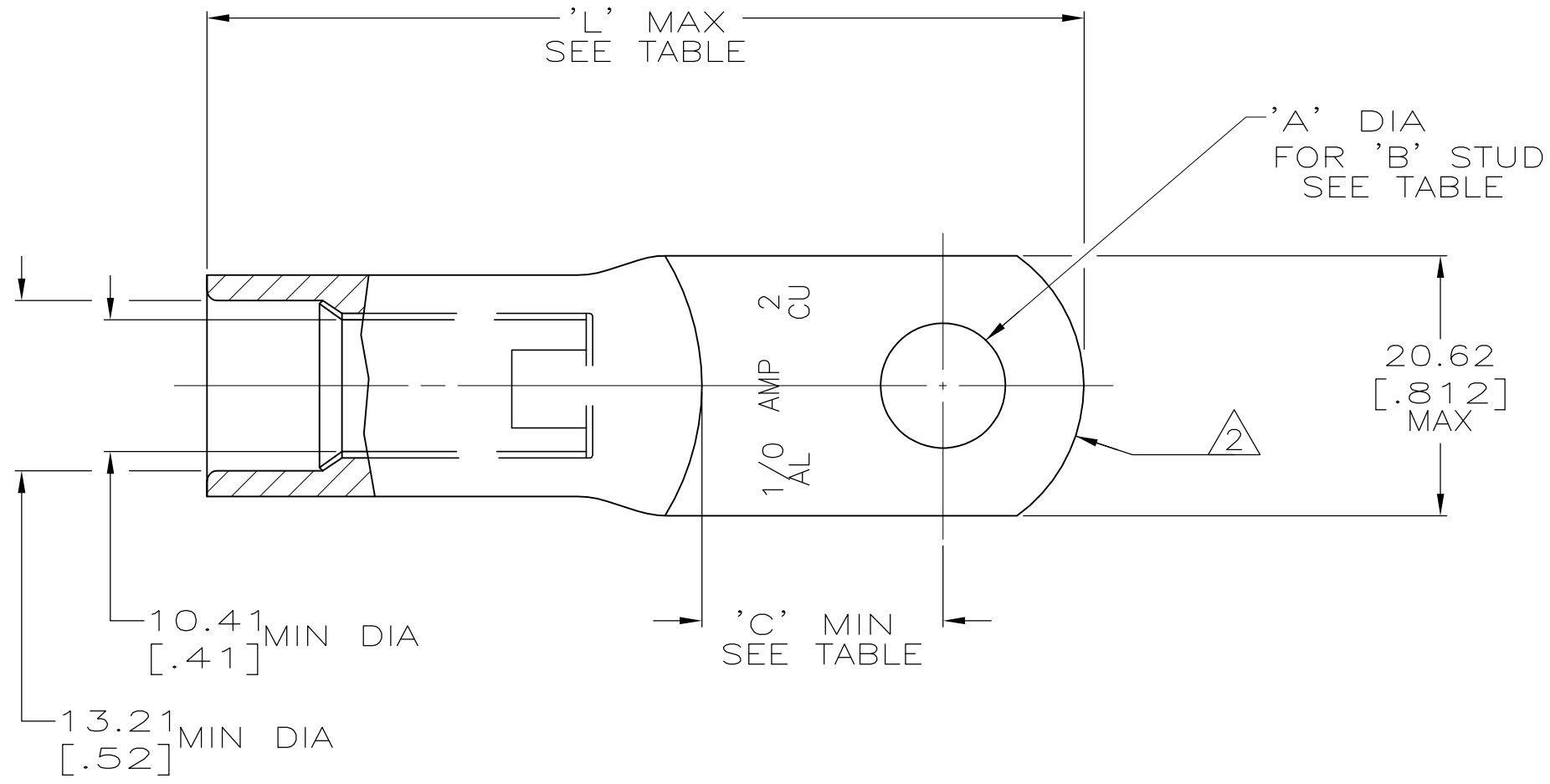
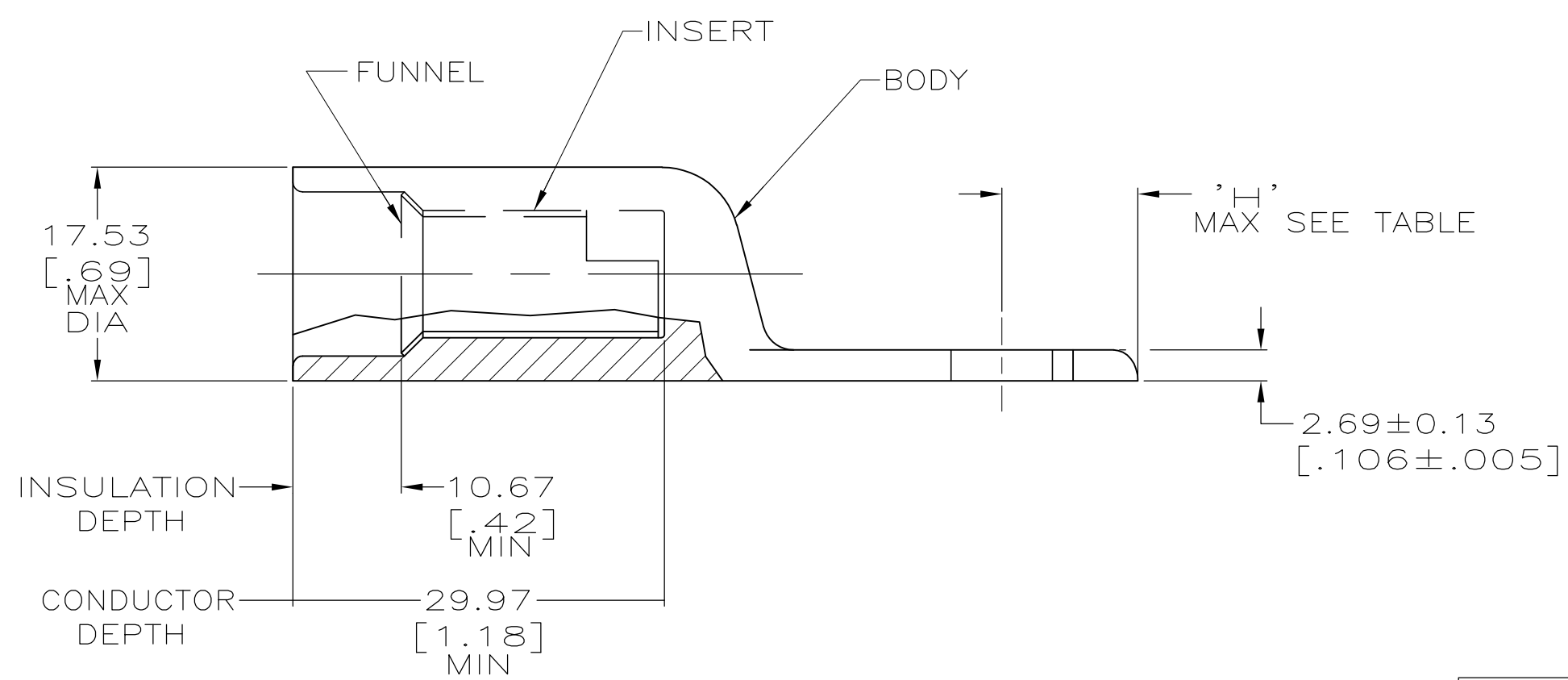


THIS DRAWING IS UNPUBLISHED. RELEASED FOR PUBLICATION  
 © COPYRIGHT - By - ALL RIGHTS RESERVED.

LOC		DIST		REVISIONS			
P	LTR	DESCRIPTION		DATE	DWN	APVD	
	R	REV PER ECO-15-002995		11MAR15	KG	PD	



- 1 WIRE INSULATION: 10.79[.425] - 11.94[.470] DIA
- 2 THE TONGUE RADIUS FEATURE IS NOT A TOOLING CONTROLLED DIMENSION AND MAY NOT BE A TRUE RADIUS.



	WEIGHT	'A'	'B'	'L'	'C'	'H'	MATERIAL & FINISH	PART NO.
	-	8.33[.328]	5/16	63.75[2.51]	12.45[.49]	10.18[.401]	BODY: COPPER ASTM-B187 ANNEALED TIN PL PER MIL-T-10727 0.00381[.000150] MIN THK	277151-7
OBSOLETE	-	<del>13.08[.515]</del>	<del>1/2</del>	69.34[2.73]	16.76[.66]	11.38[.448]		277151-6
	57.0±5 GRAMS	6.73[.265]	1/4	69.34[2.73]	16.76[.66]	11.38[.448]		277151-5
OBSOLETE	-	<del>13.08[.515]</del>	<del>1/2</del>	63.75[2.51]	12.45[.49]	10.18[.401]	INSERT & FUNNEL: BRASS ASTM B36 NICKEL PL SAE AMS QQ-N-290A, DATED JULY 2000, 0.00254 [.000100] MIN THK	277151-4
	54.0±5 GRAMS	6.73[.265]	1/4	63.75[2.51]	12.45[.49]	10.18[.401]		277151-3
	56.0±5 GRAMS	9.91[.390]	3/8	69.34[2.73]	16.76[.66]	11.38[.448]		277151-2
	53.0±5 GRAMS			63.75[2.51]	12.45[.49]	10.18[.401]		277151-1

THIS DRAWING IS A CONTROLLED DOCUMENT.

DWN DK SCHRUM 6/23/89		TE Connectivity	
CHK MS FEHER 10/16/90		WIRE TERMINAL, RING TONGUE, SEALED COPALUM	
APVD AJ KAUFMAN 10/23/90		55.5mm <sup>2</sup> [1/0] ALUMINUM	
PRODUCT SPEC 108-11011		34.3mm <sup>2</sup> [2] COPPER	
APPLICATION SPEC 114-2134	SIZE A2	CAGE CODE 00779	DRAWING NO C-277151
MATERIAL SEE TABLE	WEIGHT SEE TABLE	SCALE 2:1	SHEET 1 of 1
FINISH SEE TABLE	CUSTOMER DRAWING	REV R	