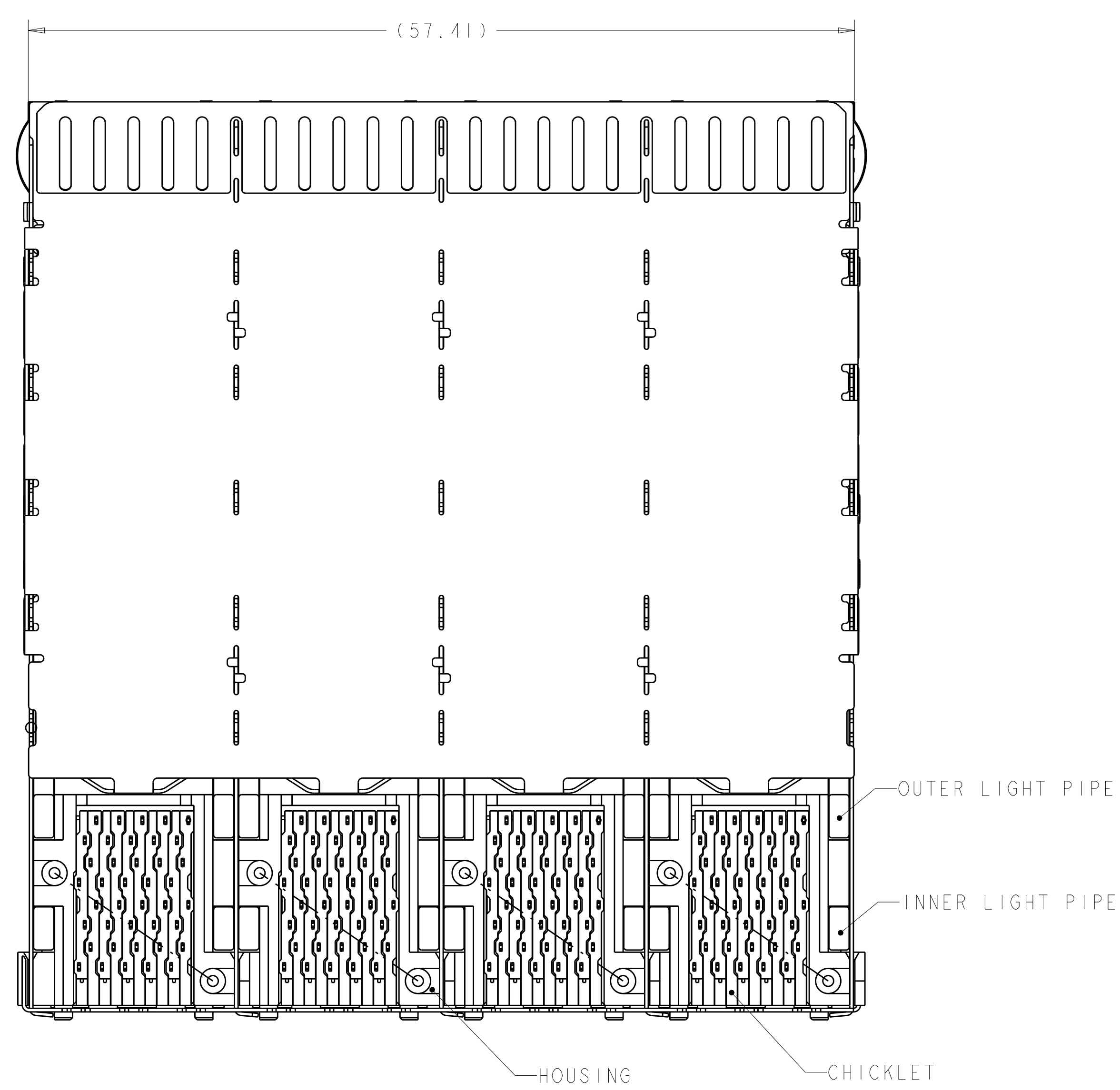
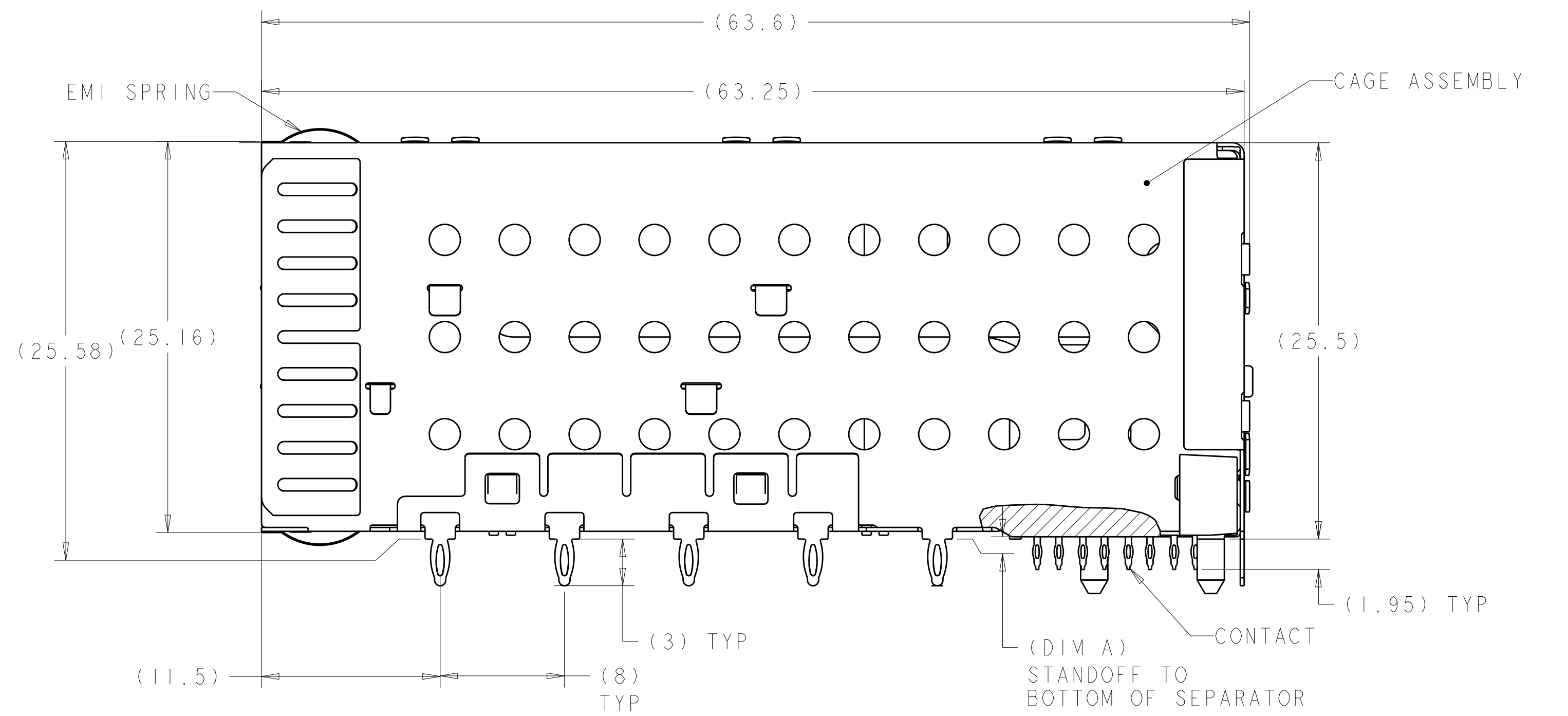
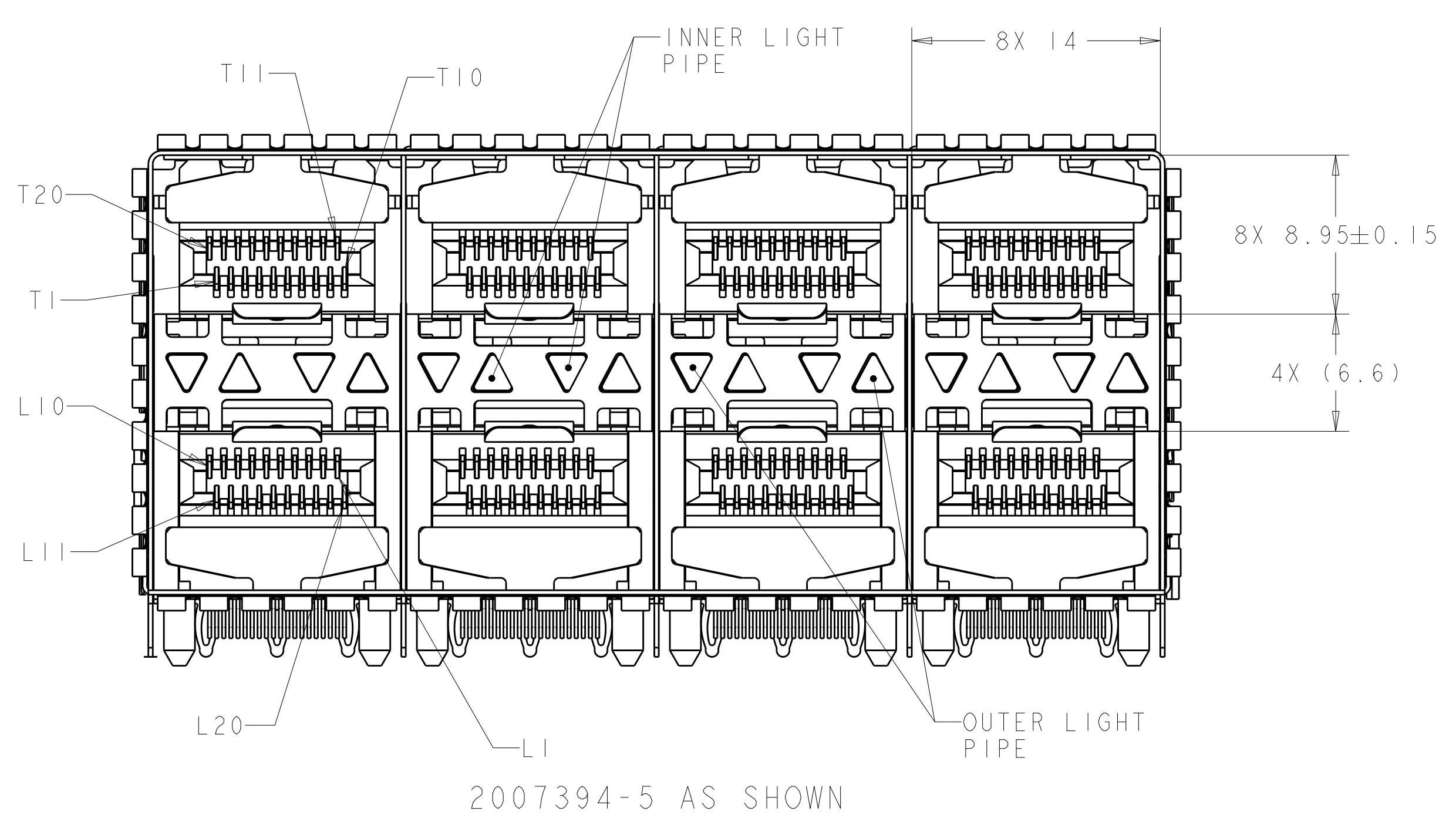


LOC	DIST	REV	DATE	BY	CHKD	APVD
GP	00					

REVISIONS			
REV	DESCRIPTION	DATE	BY
D	REVISED PER ECO-15-017919	06APR2016	AP RP
D1	ADD PN 2-6 WITH DIM A 0.5MM	23SEP2019	IT SH



- 1 MATERIALS:
 CAGE ASSEMBLY- NICKEL SILVER ALLOY PER ASTM B 122.
 EMI SPRING- COPPER ALLOY.
 INSERT- LCP, BLACK, UL 94V-0.
 HOUSING- BLACK LCP, UL 94V-0 RATED.
 CHICKLET- BLACK LCP, UL 94V-0 RATED.
 LIGHT PIPE- POLYCARBONATE, CLEAR.
 CONTACT- COPPER ALLOY.
- 2 DATUM AND BASIC DIMENSIONS ESTABLISHED BY CUSTOMER.
- 3. MINIMUM PCB THICKNESS OF 1.5.
- 4 CONTACT FINISH: CONFORMS TO THE REQUIREMENTS OF TE CONNECTIVITY PRODUCT SPECIFICATION 108-2331, BASED ON EIA/ECA-364-1000.01A, (CONTROLLED ENVIRONMENT APPLICATIONS) ON MATING INTERFACE, TIN-LEAD ON NEEDLE EYE.
- 5 CONTACT FINISH: CONFORMS TO THE REQUIREMENTS OF TE CONNECTIVITY PRODUCT SPECIFICATION 108-2331, BASED ON EIA/ECA-364-1000.01A, (CONTROLLED ENVIRONMENT APPLICATIONS) ON MATING INTERFACE, TIN ON NEEDLE EYE.
- 6 FOR HOLE SIZE AND PLATINGS, SEE APPLICATION SPEC 114-13219.
- 7 THE ENTIRE AREA OF THE CONNECTOR FOOTPRINT, INDICATED BY THE DASHED LINE, TO BE CONSIDERED THE KEEPOUT AREA FOR COMPONENTS AND SIGNAL TRACES, TOP SIDE ONLY. TOP SIDE TRACES ALLOWED WITHIN CONNECTOR HOLE PATTERN.
- 8 LIGHT PIPE PAD LAYOUT IS FOR 0805 LOW PROFILE LED PACKAGE WITH A HEIGHT OF 0.8mm.
- 9 EMI SPRING FINISH: 0.8µm MINIMUM MATTE TIN OVER 0.8µm MINIMUM NICKEL, NONPLATED EDGES PERMISSIBLE.
- 10 ADDITIONAL COMPONENT LOCATED WITHIN LATCH PLATE FOR EMI SUPPRESSION.

DIM A	ENHANCED EMI	FINISH	DESCRIPTION	PART NUMBER
0.50	YES 10	5	INNER 2 LIGHT PIPES	2-2007394-6
			NO LIGHT PIPES	1-2007394-8
0.15	YES 10	5	OUTER 2 LIGHT PIPES	1-2007394-7
			INNER 2 LIGHT PIPES	1-2007394-6
			4 LIGHT PIPES	1-2007394-5
0.15	NO	5	NO LIGHT PIPES	2007394-8
			OUTER 2 LIGHT PIPES	2007394-7
			INNER 2 LIGHT PIPES	2007394-6
			4 LIGHT PIPES	2007394-5
SUPERSEDED	NO	4	NO LIGHT PIPES	2007394-4
			OUTER 2 LIGHT PIPES	2007394-3
			INNER 2 LIGHT PIPES	2007394-2
			4 LIGHT PIPES	2007394-1

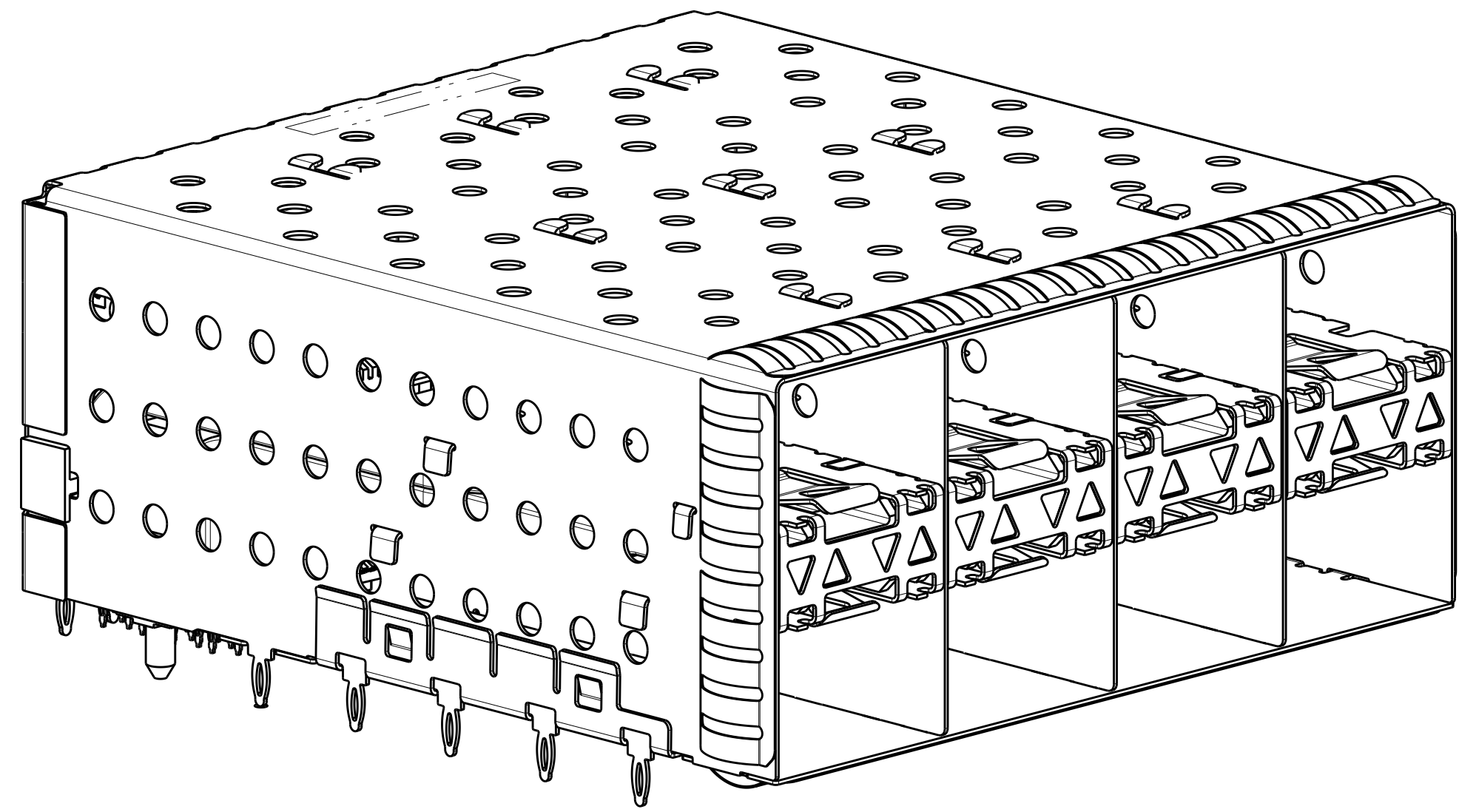
THIS DRAWING IS A CONTROLLED DOCUMENT. DIMENSIONING AND TOLERANCING PER ASME Y14.5M-2009. TOLERANCES UNLESS OTHERWISE SPECIFIED:

DIMENSIONS:	mm	0 PLC ±0.10 1 PLC ±0.10 2 PLC ±0.10 3 PLC ±0.10 4 PLC ±0.10 ANGLES ±°
MATERIAL	1	FINISH 4 5 9

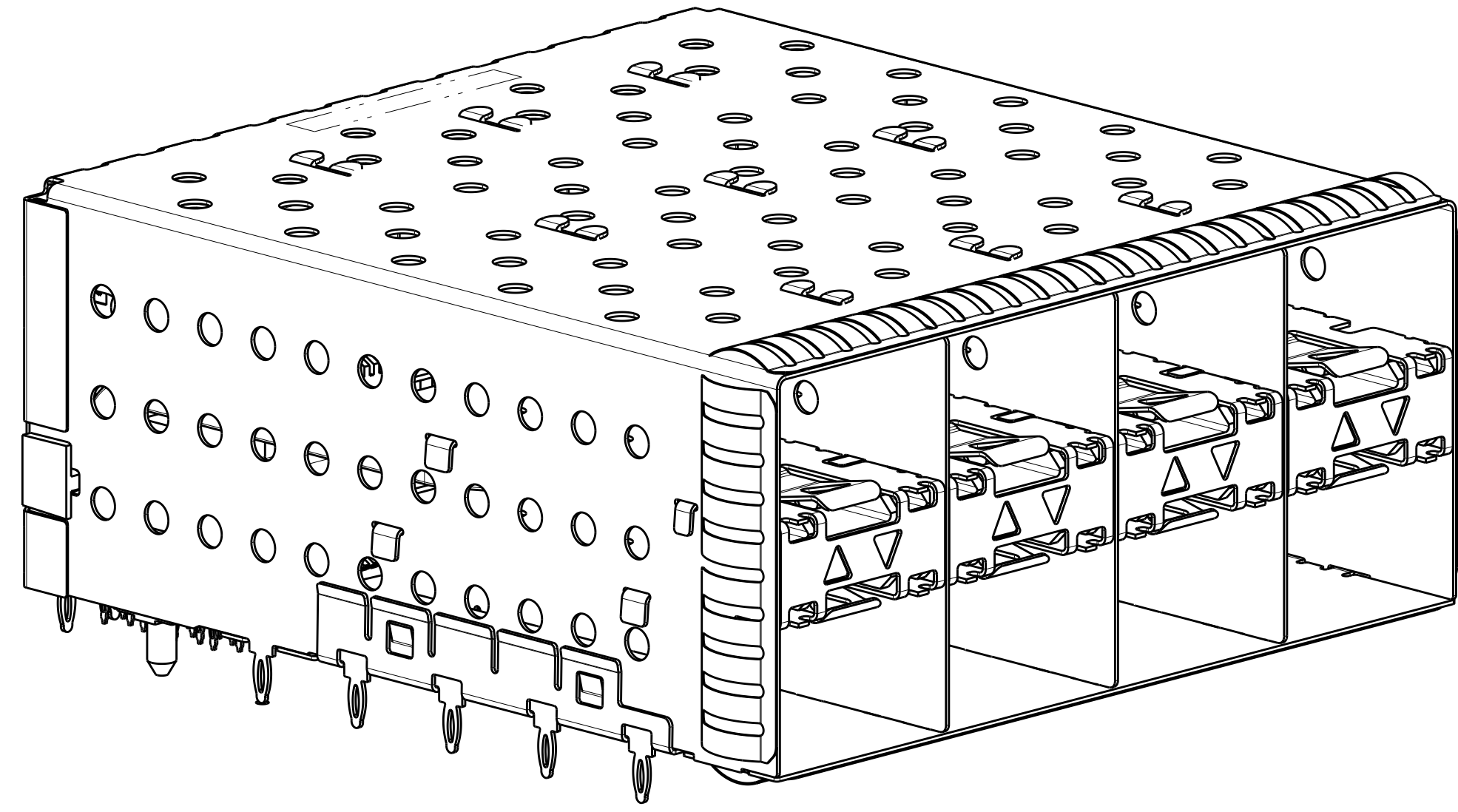
APVD: M. SHIRK 10OCT2007
 CHK: D. SZCZESNY 10OCT2007
 PRODUCT SPEC: 108-2331
 APPLICATION SPEC: 114-13219
 WEIGHT: -
 CUSTOMER DRAWING

STE TE Connectivity
 NAME: CAGE AND PT CONNECTOR ASSEMBLY, WITH EMI SPRINGS, PRESS FIT, 2X4, STACKED SFP+
 SIZE: CAGE CODE DRAWING NO: A100779C=2007394
 SCALE: 4:1 SHEET 1 OF 4 REV D

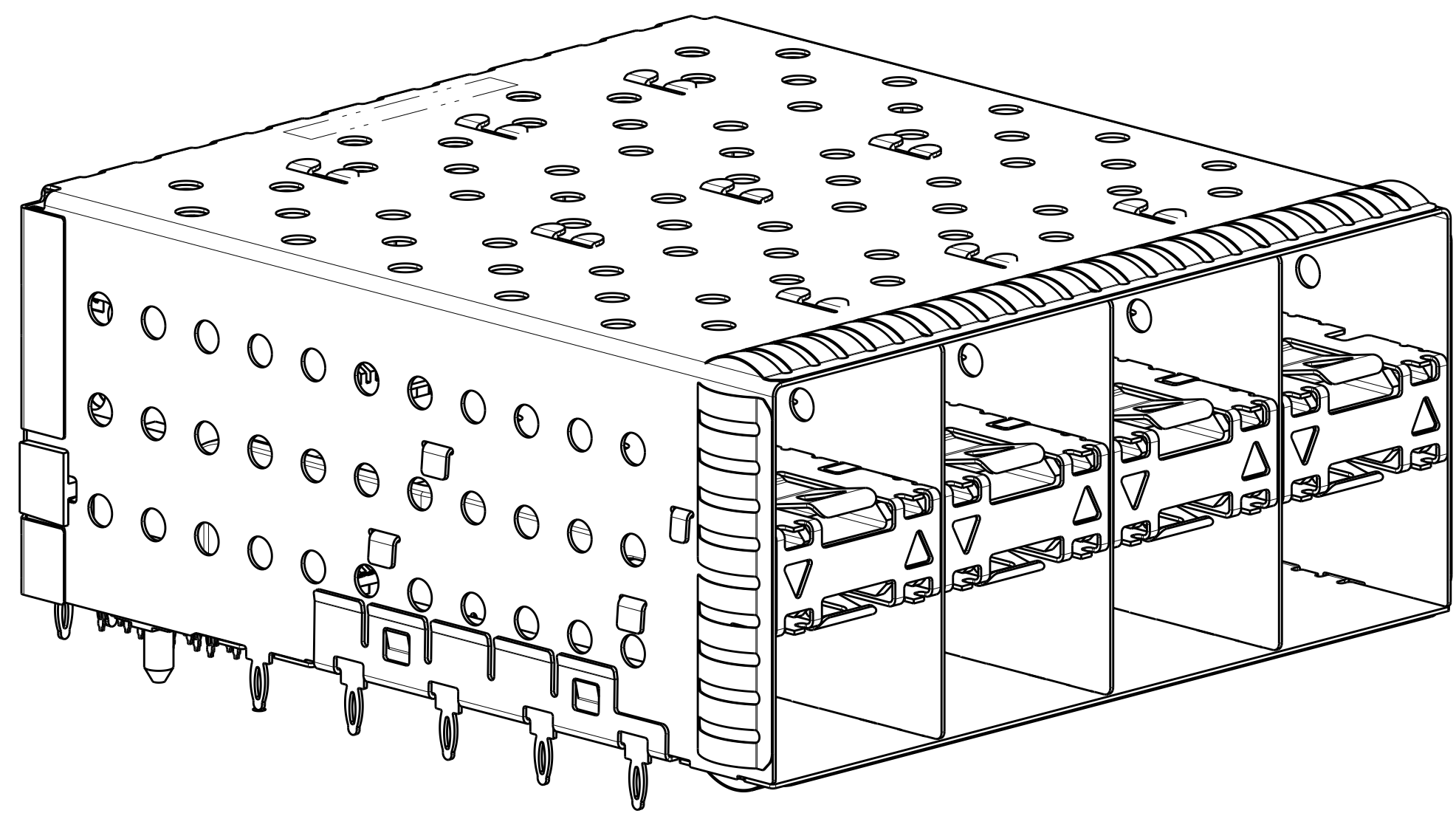
LOC	DIST	REVISIONS			
		P. LTR	DESCRIPTION	DATE	DWN APVD
		rev_sym_1666_8H6E111			rev_defect2 _dwn_1bppr_1
		rev_sym_2rev_desc_2			rev_defect2 _dwn_2bppr_2
		rev_sym_3rev_desc_3			rev_defect2 _dwn_3bppr_3
		rev_sym_4rev_desc_4			rev_defect2 _dwn_4bppr_4



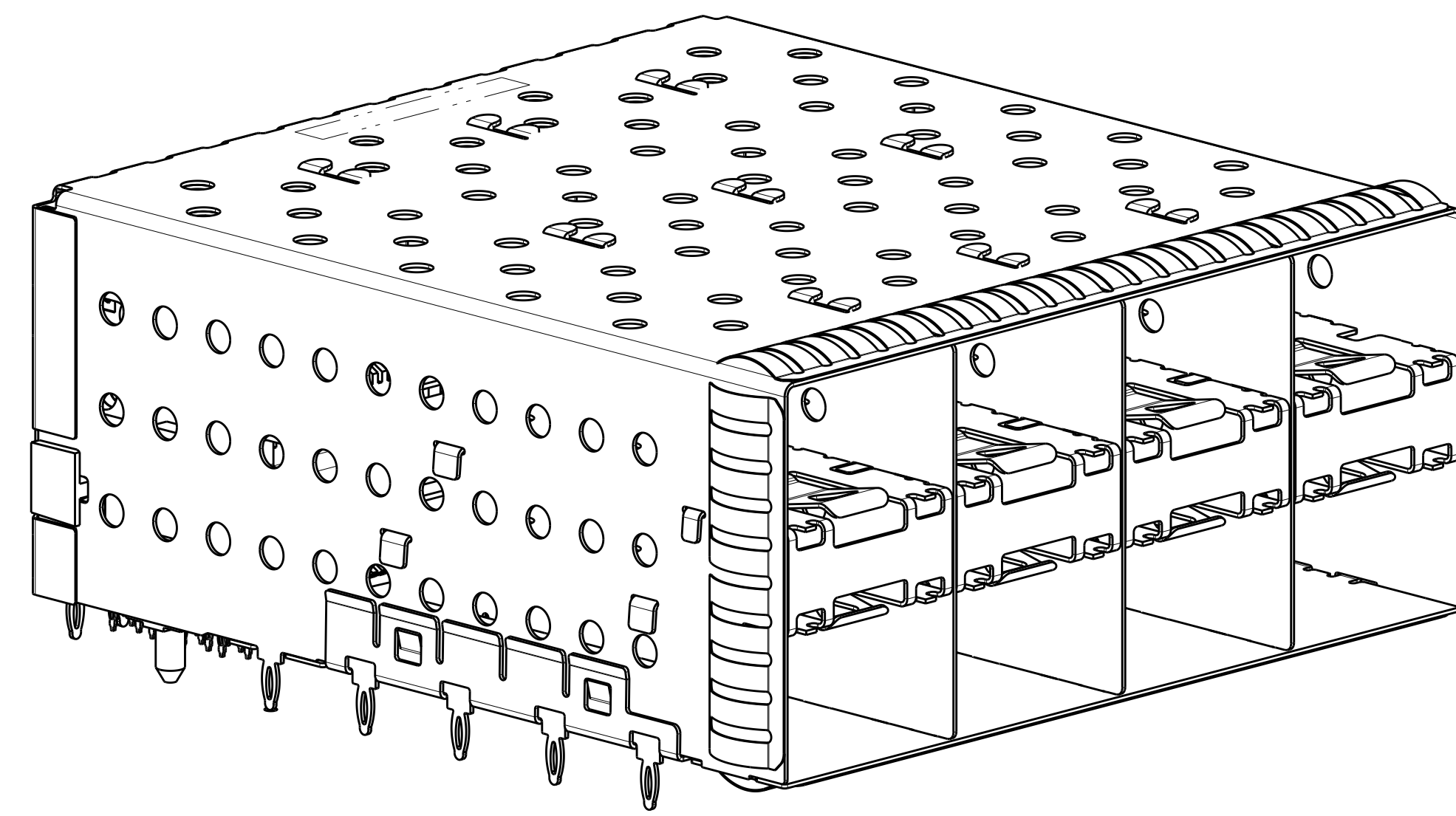
2007394-5 AND 1-2007394-5
 SCALE 3:1



2007394-6, 1-2007394-6 AND 2-2007394-6
 SCALE 3:1



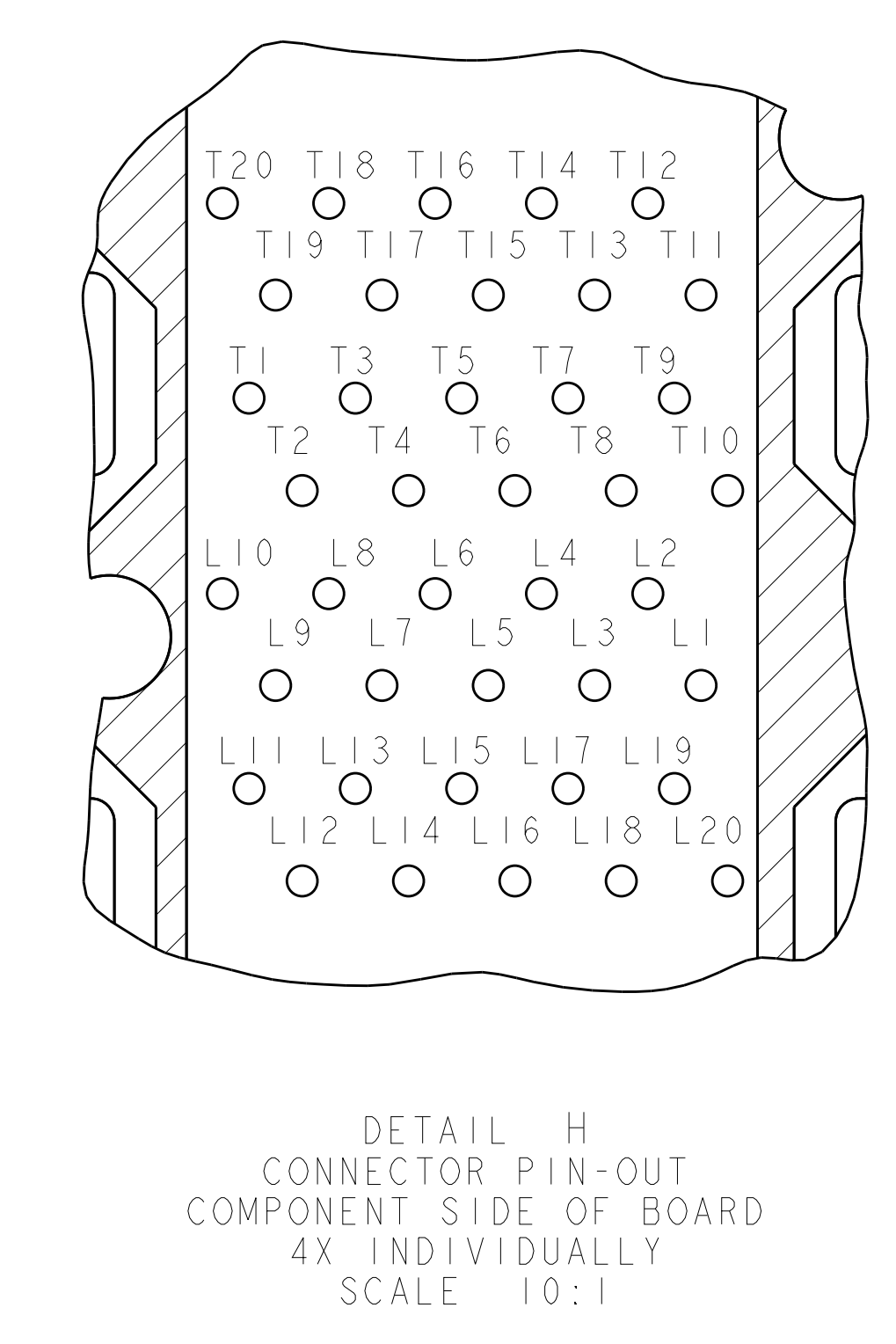
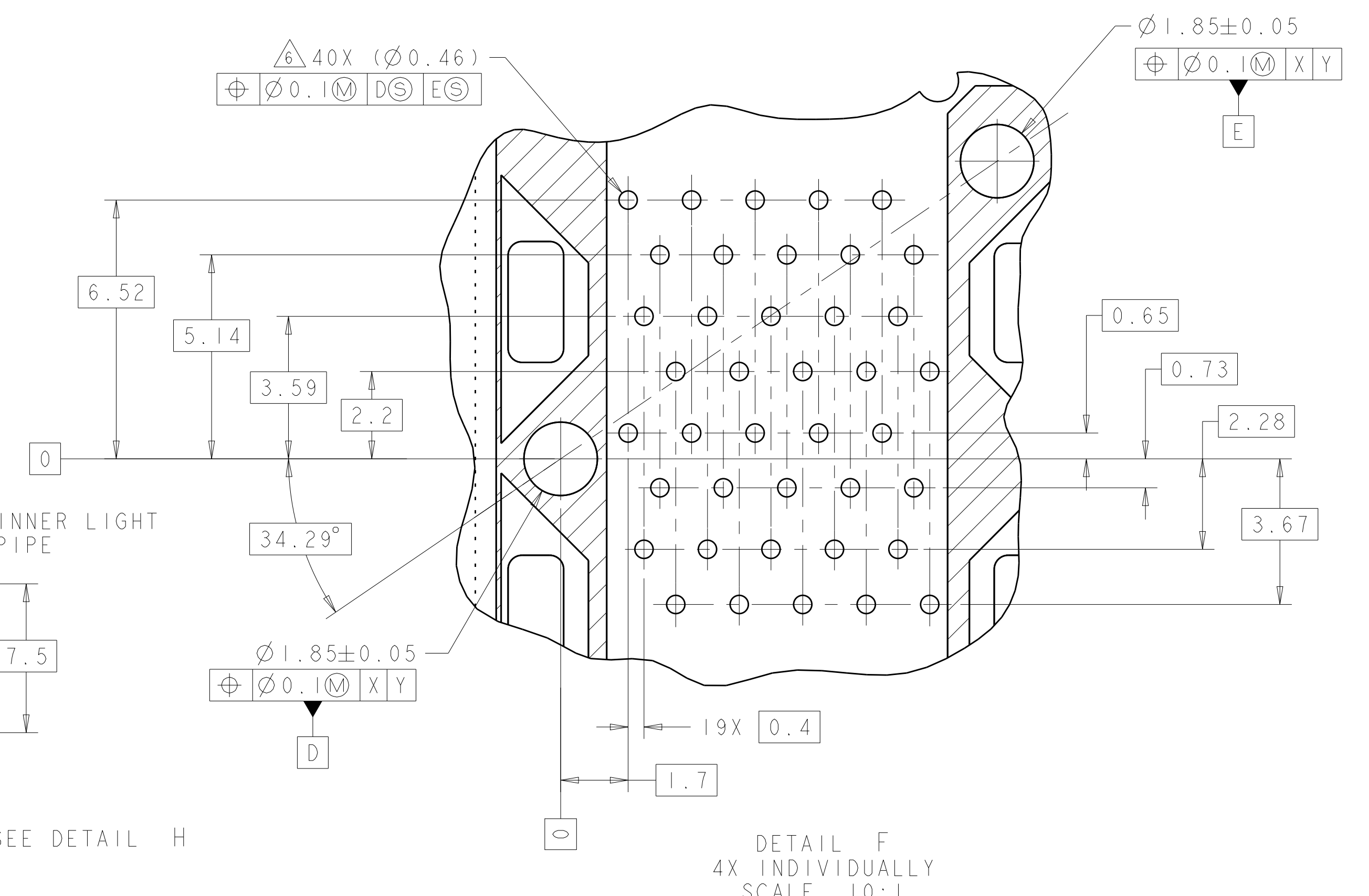
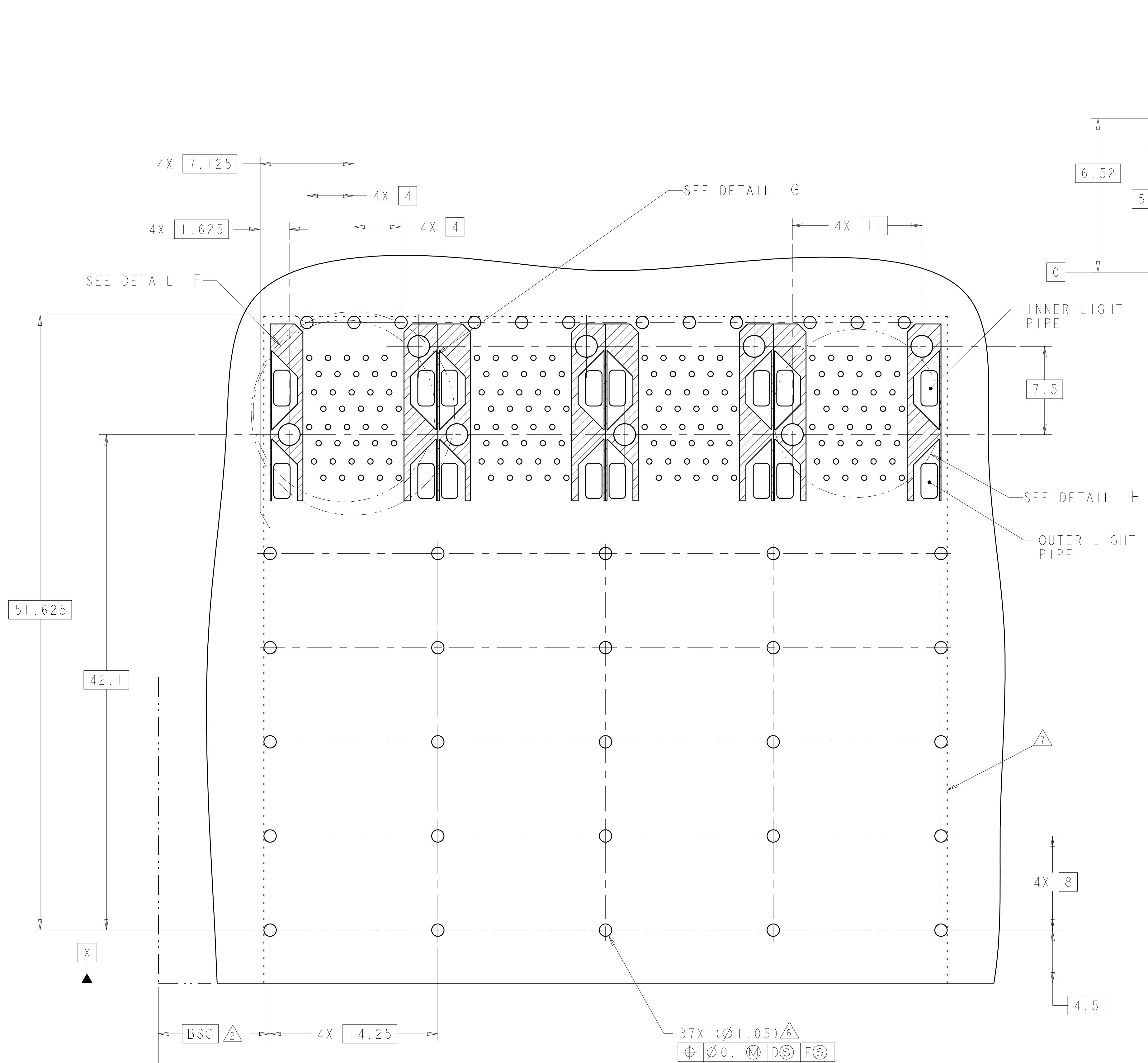
2007394-7 AND 1-2007394-7
 SCALE 3:1



2007394-8 AND 1-2007394-8
 SCALE 3:1

THIS DRAWING IS A CONTROLLED DOCUMENT. DIMENSIONING AND TOLERANCING PER ASME Y14.5M-2009		DWN: M. SHIRK 10OCT2007	TE Connectivity NAME: CAGE AND PT CONNECTOR ASSEMBLY, WITH EMI SPRINGS, PRESS FIT, 2X4, STACKED SFP+
DIMENSIONS: mm		CHK: D. SZCZESNY 10OCT2007	
TOLERANCES UNLESS OTHERWISE SPECIFIED:		APVD: D. SZCZESNY 10OCT2007	RESTRICTED TO
0 PLC	±0.10	PRODUCT SPEC	
1 PLC	±0.10	108-2331	
2 PLC	±0.10	APPLICATION SPEC	
3 PLC	±0.10	114-13219	
4 PLC	±0.10	WEIGHT	
ANGLES	±°		
MATERIAL	FINISH		
CUSTOMER DRAWING		SCALE 4:1	SHEET 2 OF 4

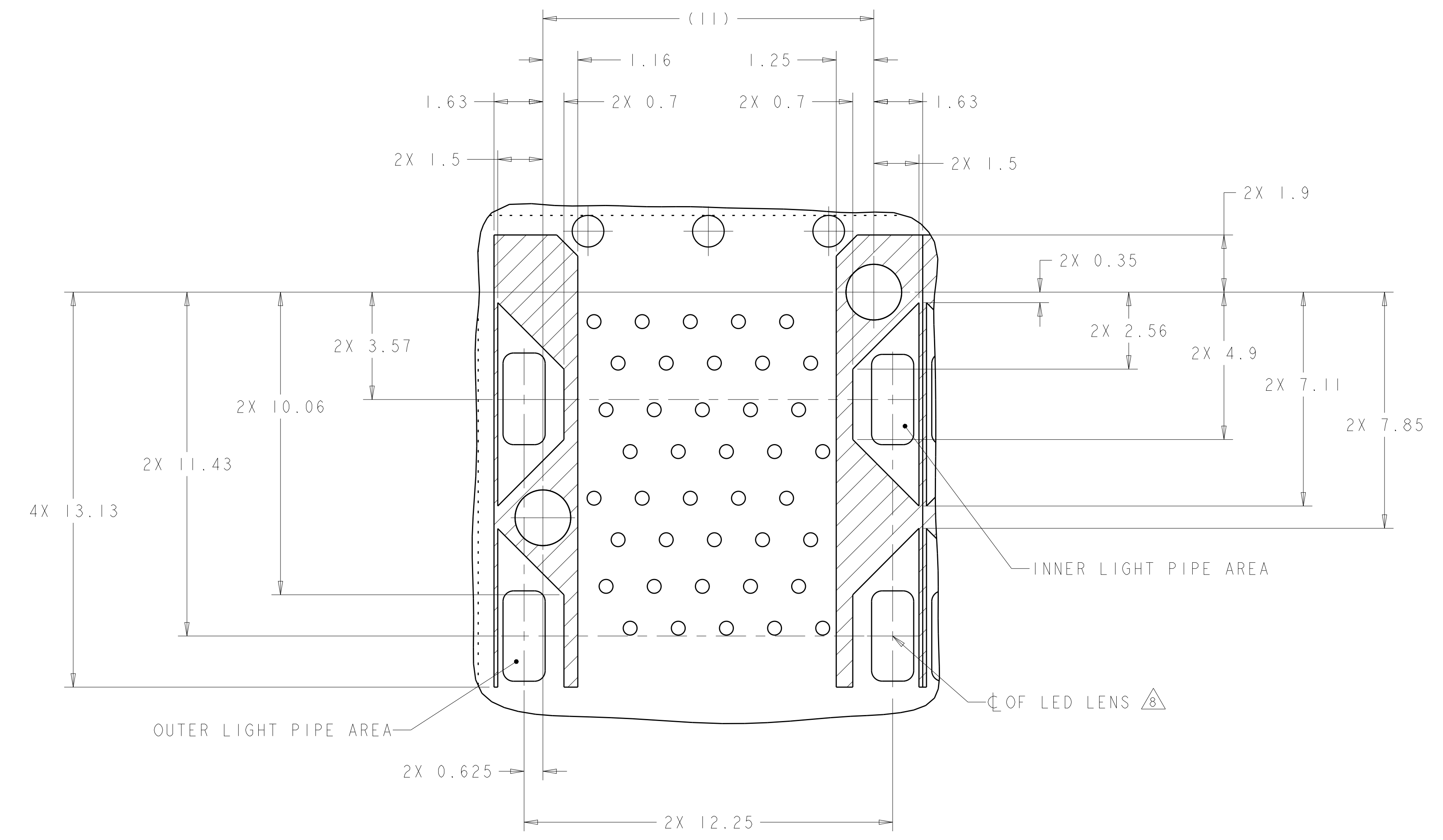
LOC	DIST	REV	DATE	APPD
		1		
		2		
		3		
		4		



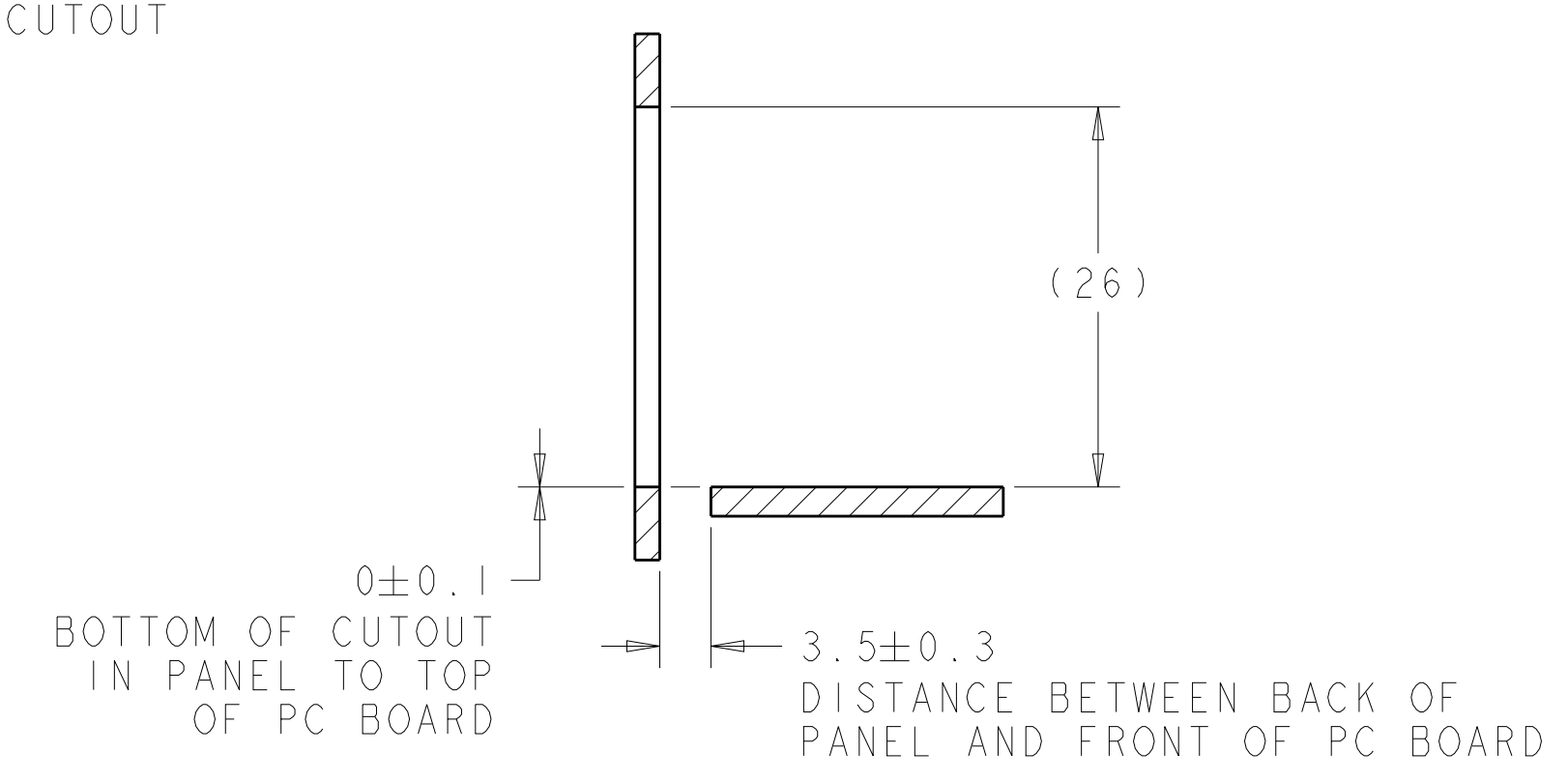
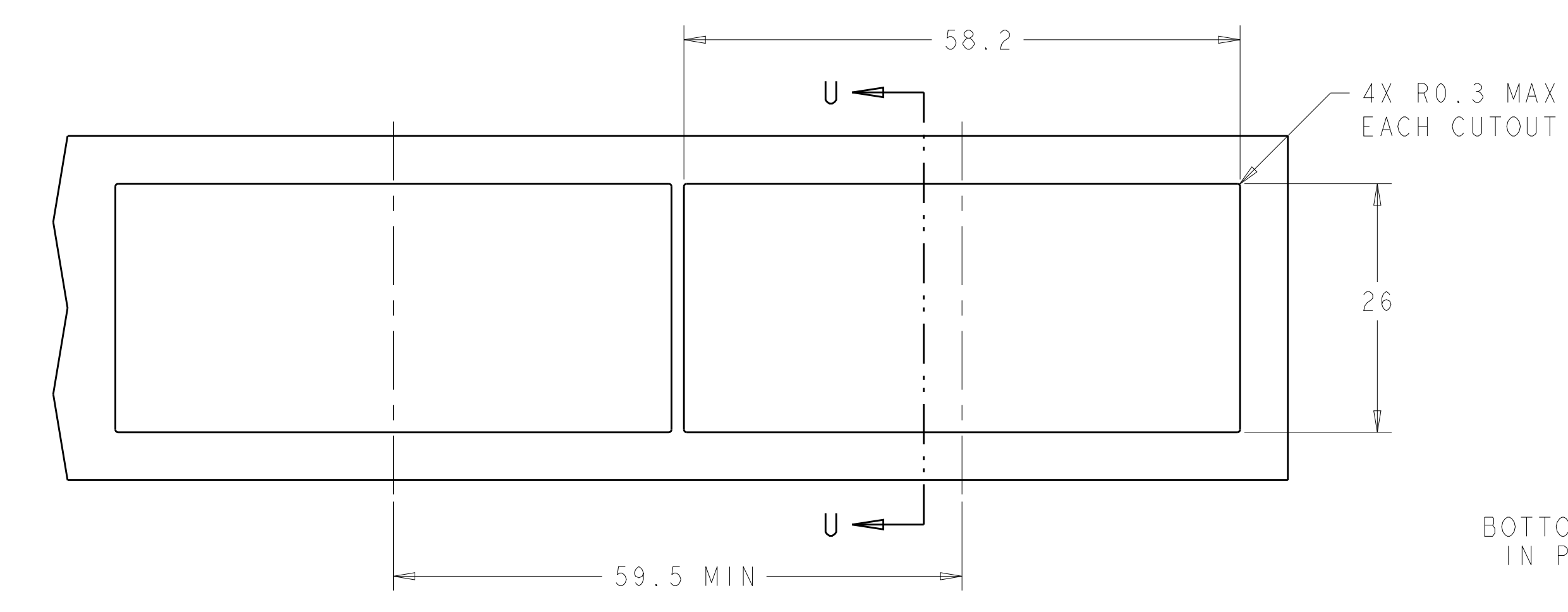
RECOMMENDED PCB LAYOUT
 COMPONENT SIDE OF BOARD
 SCALE 5:1

THIS DRAWING IS A CONTROLLED DOCUMENT. DIMENSIONING AND TOLERANCING PER: ASME Y14.5M-2009		OWN: M. SHIRK 10OCT2007	TE Connectivity
DIMENSIONS: mm		CHK: D. SZCZESNY 10OCT2007	
TOLERANCES UNLESS OTHERWISE SPECIFIED:		APVD: D. SZCZESNY 10OCT2007	NAME: CAGE AND PT CONNECTOR ASSEMBLY, WITH EMI SPRINGS, PRESS FIT, 2X4, STACKED SFP+ SIZE: CAGE CODE DRAWING NO. RESTRICTED TO A100779C=2007394
0 PLC ± 0.10 1 PLC ± 0.10 2 PLC ± 0.10 3 PLC ± 0.10 4 PLC ± 0.10 ANGLES: \pm		PRODUCT SPEC: 108-2331 APPLICATION SPEC: 114-13219 WEIGHT:	
MATERIAL: FINISH: \pm		CUSTOMER DRAWING SCALE: 4:1 SHEET 3 OF 4 REV: D1	

LOC	DIST	REV	DATE	BY	APPV
		1			
		2			
		3			
		4			



DETAIL G
 CONNECTOR HOUSING
 KEEPOUT ZONE
 4X INDIVIDUALLY
 SCALE 10:1



RECOMMENDED PANEL CUTOUT
 AND PC BOARD, PANEL POSITION
 SCALE 2:1

THIS DRAWING IS A CONTROLLED DOCUMENT. DIMENSIONING AND TOLERANCING PER ASME Y14.5M-2009		DWN: M. SHIRK CHK: D. SZCZESNY APPV: D. SZCZESNY	10OCT2007 10OCT2007 10OCT2007	TE Connectivity NAME: CAGE AND PT CONNECTOR ASSEMBLY, WITH EMI SPRINGS, PRESS FIT, 2X4, STACKED SFP+
DIMENSIONS: mm	TOLERANCES UNLESS OTHERWISE SPECIFIED:	PRODUCT SPEC: 108-2331	APPLICATION SPEC: 114-13219	
MATERIAL:	FINISH:	WEIGHT:	CAGE CODE: 2007394	RESTRICTED TO: -
CUSTOMER DRAWING			SCALE: 4:1	SHEET: 4 OF 4