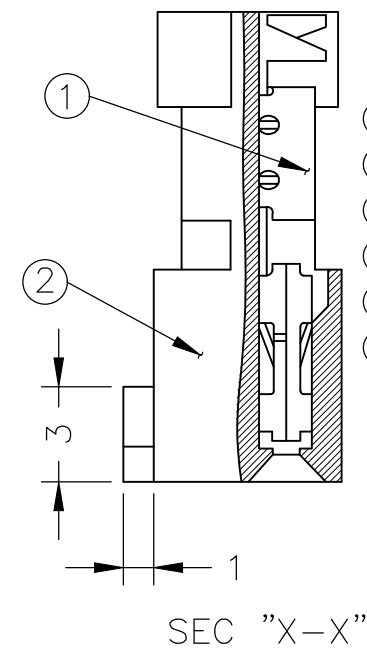
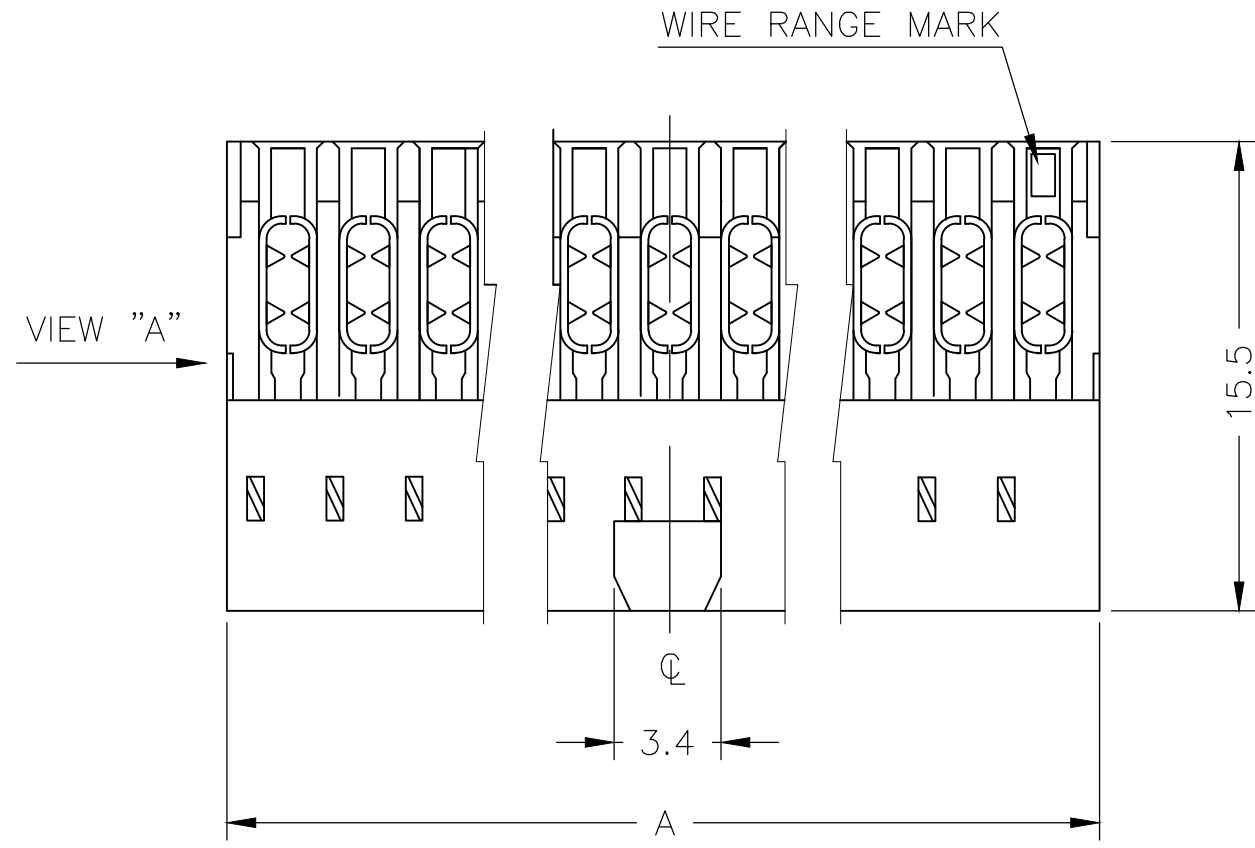


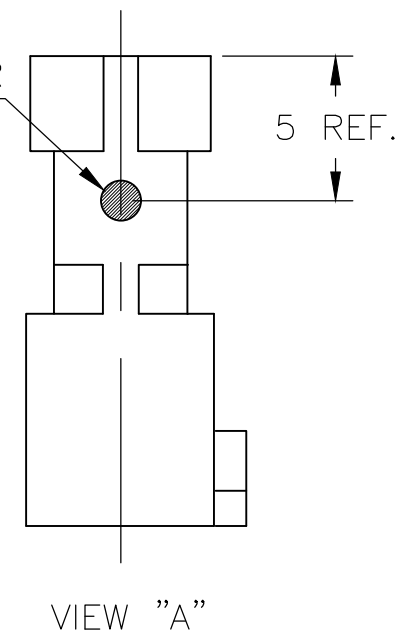
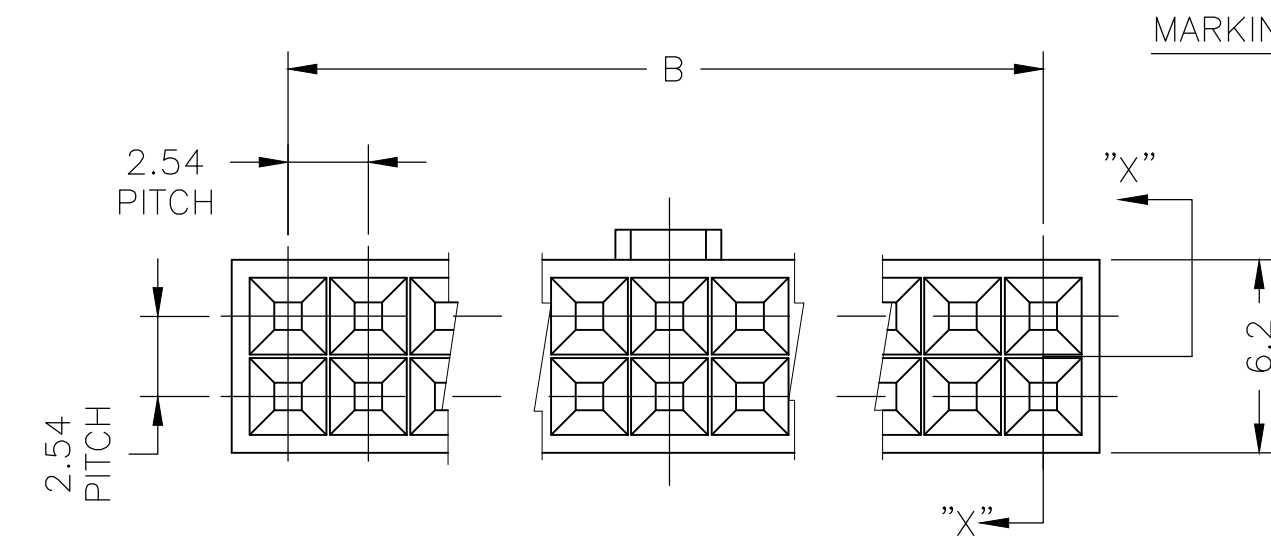
P	LTR	DESCRIPTION	DATE	DWN	APVD
	F1	REVISED PER ECO-19-011183	22APR2020	A.S	H.L



MAKING COLOR $\Delta_3$	WIRE SIZE		WIRE RANGE	DIM		POS	P/N
	AWG	INS.DIA		"B"	"A"		
YELLOW	#28~#30	1.27 MAX.	1	34.34	30.48	26	175598-1
<del>OBSOLETE</del> YELLOW	<del>#28~#30</del>	<del>1.27 MAX.</del>	<del>1</del>	<del>44.50</del>	<del>40.64</del>	<del>34</del>	<del>175598-2</del>
<del>OBSOLETE</del> BRIGHT BLUE	<del>#24~#26</del>	<del>1.27 MAX.</del>	<del>2</del>	<del>44.50</del>	<del>40.64</del>	<del>34</del>	<del>175598-3</del>
<del>OBSOLETE</del> BRIGHT BLUE	<del>#24~#26</del>	<del>1.27 MAX.</del>	<del>2</del>	<del>87.68</del>	<del>83.32</del>	<del>68</del>	<del>175598-4</del>
<del>OBSOLETE</del> BRIGHT BLUE	<del>#24~#26</del>	<del>1.27 MAX.</del>	<del>2</del>	<del>21.64</del>	<del>17.78</del>	<del>16</del>	<del>175598-5</del>
<del>OBSOLETE</del> YELLOW	<del>#28~#30</del>	<del>1.27 MAX.</del>	<del>1</del>	<del>21.64</del>	<del>17.78</del>	<del>16</del>	<del>175598-6</del>
<del>OBSOLETE</del> YELLOW	<del>#28~#30</del>	<del>1.27 MAX.</del>	<del>1</del>	<del>87.68</del>	<del>83.32</del>	<del>68</del>	<del>175598-7</del>

NOTES

- $\Delta_1$  CONTACT FINISH: NICKEL UNDER PL.  
Au PL IN CONTACT AREA  
TIN PL. IN INSULATION DISPLACEMENT



COPPER ALLOY	REC. CONTACT	2
THERMOPLASTIC POLYESTER (BLACK)	REC. HOUSING	1
MATERIAL	NAME	NO.

THIS DRAWING IS A CONTROLLED DOCUMENT.		DWN H.AMIKURA 25SEP92	<b>STE</b> TE Connectivity		
DIMENSIONS: mm		CHK T.SASAKI 06OCT92			
TOLERANCES UNLESS OTHERWISE SPECIFIED:		APVD Y.TANIKAWA 25SEP92	NAME REC. ASSY		
0 PLC ± -		PRODUCT SPEC -	S-200 CONN, SYSTEM (W-T-B)		
1 PLC ± 0.5		APPLICATION SPEC -	SIZE	CAGE CODE	DRAWING NO
2 PLC ± -		MATERIAL	—	—	—
3 PLC ± -		FINISH	—	—	—
4 PLC ± -		SEE NOTE	WEIGHT 0.000000	A3 00779	C-175598
ANGLES ± 1°		CUSTOMER DRAWING			
FINISH -		SCALE 4:1		SHEET 1 OF 1	REV F1