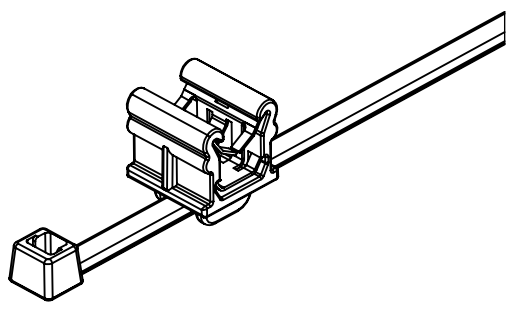
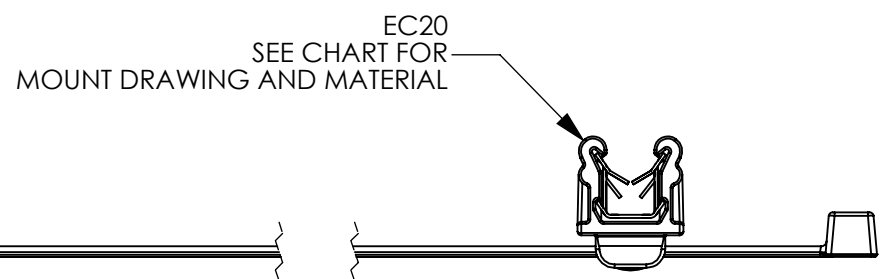
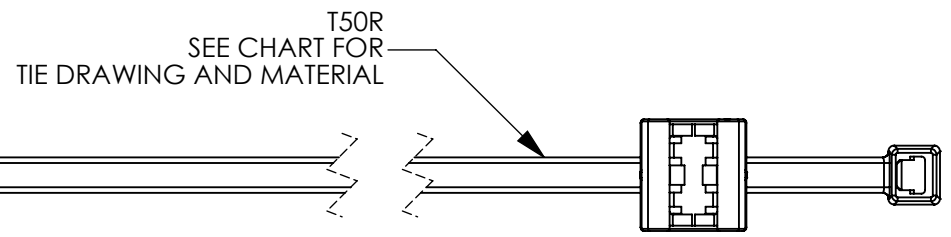


Revision level		Revision Record	Changed	Date	Approved	Date
Part	Drawing					
-	01	See ECN 011333	AAC	07/09/2009	KAC	07/09/2009



DELIVERY CONDITION:
CABLE TIE HEAD COULD BE AT THE LEFT OR RIGHT SIDE OF EDGE CLIP

TYPE	BUNDLE RANGE	CABLE TIES		MOUNT	
		DRAWING	MATERIAL	DRAWING	MATERIAL
T50REC20	5 to 50	CT2050007CST	PA66HS PA66UV PA46	XCL-HTG160CST	PA66HIRHS
	12.7 to 44.5	CT2050007CSTPPP	PP		

SEE CHART

Material

Dimension tolerances unless otherwise specified

.xxxx = ±.0005
.xxx = ±.005
.xx = ±.01
.x = ±.03
∠ = ±0.5°

Dimension Units inches

PERFORMANCE SPECIFICATION

SW 2007

ALL PROPRIETARY RIGHTS IN THE SUBJECT MATTER SHOWN ON THIS DRAWING ARE EXCLUSIVE PROPERTY OF HELLERMANN TYTON

Drawn AAC 07/09/2009
Approved KAC 07/09/2009

HellermannTyton®

7930 N. Faulkner Rd.
Milwaukee, WI 53224
Ph: (414) 355-1130
Fx: (414) 362-8342

Scale 1:1
Computer File Number CT2050065CST_01

Title
**T50REC20
T50R STANDARD CABLE TIE
WITH EC20 MOUNT**

Drawing-No
CT2050065CST

Format
AH

Sheet 1 of 1