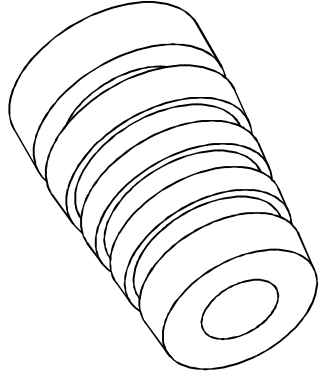
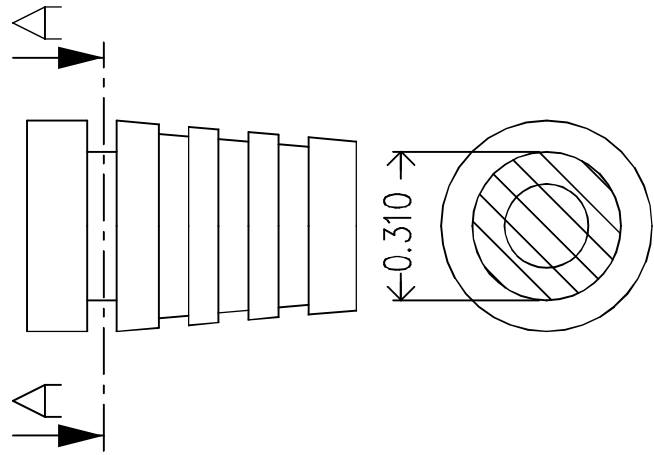
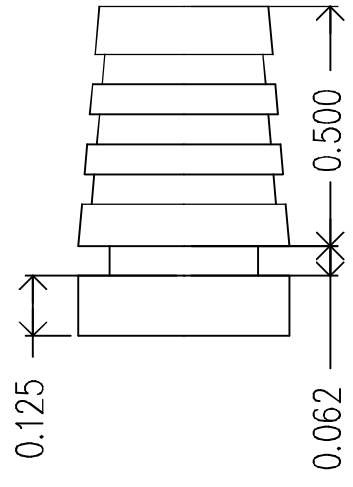
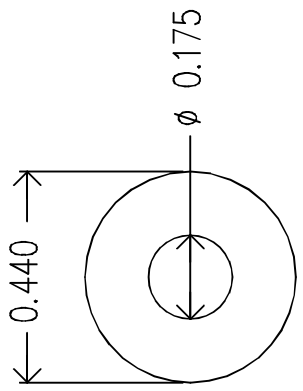


REVISIONS		DATE	APPROVED
ZONE	REV.		



Mold Material: ISC P/N: 5000214, PVC, M1472, Black, RoHS

DRAWN	NAME	DATE	ISC Engineering
R FIERRO	R FIERRO	01/21/10	4351 Schaefer Ave, Chino, CA 91710
CHECKED			Ph: 909-596-3315 Fax: 909-596-3335
ENG APPR.			www.iscengineering.com
MFG APPR.			www.overmoldtooling.com
D.A.			
COMMENTS:			
DO NOT SCALE DRAWING	1461040-175-B-310-440-0		
APPLICATION	SIZE DWG. NO. 1460051		
USED ON	SCALE: 3:1		
NEXT ASSY	WEIGHT:		
	REV.		
	SHEET 1 OF 1		

Dimensions are subject to change.  
 PROPRIETARY AND CONFIDENTIAL  
 THE INFORMATION CONTAINED IN THIS DRAWING IS THE SOLE PROPERTY OF ISC ENGINEERING. ANY REPRODUCTION IN PART OR AS A WHOLE WITHOUT THE WRITTEN PERMISSION OF ISC ENGINEERING IS PROHIBITED.

**ISC ENGINEERING**  
**CONTROLLED COPY**  
 Rich Fierro 01/24/2019