

■ Features

- Power Rating to 140W
- 100-240Vac Universal input
- Frequency: 50/60Hz
- Multiple Port Output
- OVP, OCP and short circuit protection
- Efficiency: level VI
- USB-C output
- Dimensions: 73x74.1x29mm

■ Applications

- Personal electronic devices

■ Model List*(See part number scheme for model number details)

Only USB-C Model

Model	Output Voltage	Output Current	Power	Ripple & Noise
Type-C1/C2	5V	3A	140W	200mVp-p
	9V	3A	140W	200mVp-p
	12V	3A	140W	200mVp-p
	15V	3A	140W	200mVp-p
	20V	5A	140W	200mVp-p
	28V	5A	140W	300mVp-p

Ripple & Noise: Measurement is done by 20MHz bandwidth oscilloscope and the output paralleled a 0.1uF ceramic capacitor and a 10uF electrolysis capacitor. (test under the condition of rated input and rated output)

■ Multiple Output Features

TYPE-C1	TYPE-C2	TOTAL
100W	20W	120W

■ Technical Data

Input voltage range	100-240Vac
Rated Frequency	50/60Hz(typ.)
AC Input Current	2A max.@full load condition
Surge current	80Amax. @ 264Vac input
Efficiency	While the input is 115Vac/230Vac, the average efficiency is ≥ 88%. Tested at 25%, 50%, 75% and 100% load after 30min warmup max load. Complies with level VI requirements
AC Input Power saving	0.3W max. @115/230Vac no load
Single port short circuit protection	Short circuit will enter the hiccup protection mode and will automatically recover after the short circuit disappears.
Start Delay Time	2s max @115Vac/230Vac input and full load
Rise Time	40ms max. @115Vac input max load output



*Product images are for illustrative purposes only and may vary from actual design.

Technical Sales / Customer Service: +1-818-338-7788 • Email: sales@autec.com

31328 Via Colinas Suite 102 • Westlake Village, CA 91362 USA • www.autec.com

May 19, 2022

■ **Technical Data9cont.)**

Hold Time	10ms@115Vac/60Hz input, 20ms@230Vac/50Hz input
Output Overcharge/Undercharge	10% max when power supply turn on/off
Output Load Transient Response	Output voltage within $\pm 5\%$, load step from 25% to 50% to 25%, 50% to 75% to 50%, R/S: 0.25A/uS Transient response recovery time: 200uS Dynamic response overshoot: $\pm 5\%$
Over voltage protection	The output voltage shall be protected by internal clamped IC
Over Current Protection	105%~115%
Total output short circuit power	When there is a short circuit, the output power is less than 5W and it will not damage the product. After the short circuit disappears, it will resume automatically.
Type-C Charging Protocol	QC2.0, QC3.0, PD2.0, PD3.0, PD3.1, PPS, BC1.2, Samsung 2.0A, APPL 2.4A, FCP, SCP, PE1.0, PE2.0, AFC
Ripple and Noise	200mV(5V, 9V, 12V, 15V, 20V), 300mV(28V)
Operating Temperature	0°C to 25°C, 10%RH to 90%RH
Storage Temperature	-20°C to 80°C, 5%RH to 95%RH non-condensing, 2000 meters below sea level
Vibration	Sweep frequency: 10 to 200Hz, acceleration: 1.0G(breadth: 3.5mm). Vibrate for 0.5 hour along the X, Y, and Z perpendicular axes
Burn-in	The product must undergo 100% burn-in before shipment to ensure the quality
MTBF	30,000 hours at 25°C max and normal input condition
Dimensions	73x74.1x29mm

■ **Safety and EMC**

EMI Standard	FCC, FCC PART 15B, CE, EN55032, EN55024, EN61000-3-2, EN61000-3-3, C-Tick, AS/NZS CISPR22
EMS Standards	EN 61000-4-2, electrostatic discharge(ESD), Air discharge: +/-8KV Test Criteria B, Contact discharge: +/-4KV Test Criteria B. EN 61000-4-3, radiated electromagnetic field susceptibility, 3V/m(r.m.s), 80-1000MHz,80%AM(1KHz) sine-wave, test criteria B. EN 61000-4-4, fast transients(burst) immunity requirement, AC-input 0.5KV, Test Criteria A, AC-input 1KV, Test Criteria B. EN 61000-4-5 surge capability requirement, Common mode +/-2KV, Differential mode +/-1KV. Test Criteria A. EN 61000-4-6 Induced radio frequency fields conducted disturbances immunity requirement, 3V 0.15-80 MHz, 80%AM(1KHz), Test Criteria B
Dielectric Strength(Hi-pot)	Primary to Secondary: 3000Vac / 5mA Max / 60 second
Leakage Current	0.25mA max. at 264Vac / 50Hz
Insulation Resistance	50M Ω min. at primary to secondary add 500Vdc test voltage
Regulatory Standards	UL/cUL, UL62368-1, CE+BS1363, EN62368-1+BS1363, CE EN62368-1, SAA, AS/NZS60950-1

Disclaimer:

Autec Power Systems' (Autec) Power Supplies are Hi-Pot tested during the manufacturing process. Autec assumes no responsibility for secondary Hi-Pot testing at customer location or designated production line(s). Should customer require further Hi-Pot testing, at their own production line, following assembly of the Power Supply into the customer's assembled fixture, Autec requests advance notice. This request must be communicated to Autec in a timely manner and is recommended to be requested at time of issuing each purchase order.

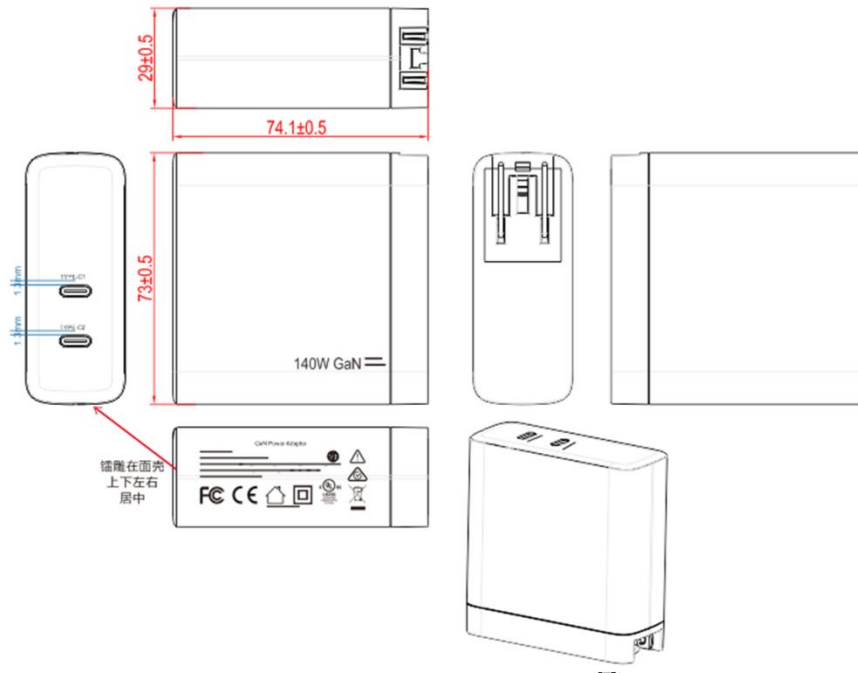
Technical Sales / Customer Service: +1-818-338-7788 • Email: sales@autec.com

31328 Via Colinas Suite 102 • Westlake Village, CA 91362 USA • www.autec.com

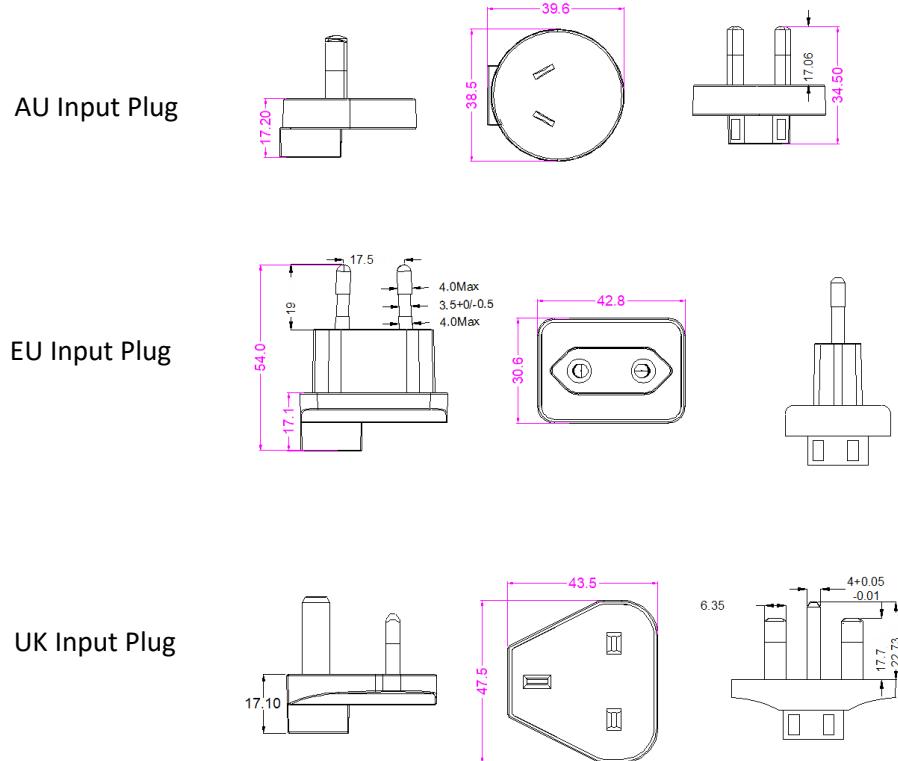
May 19, 2022

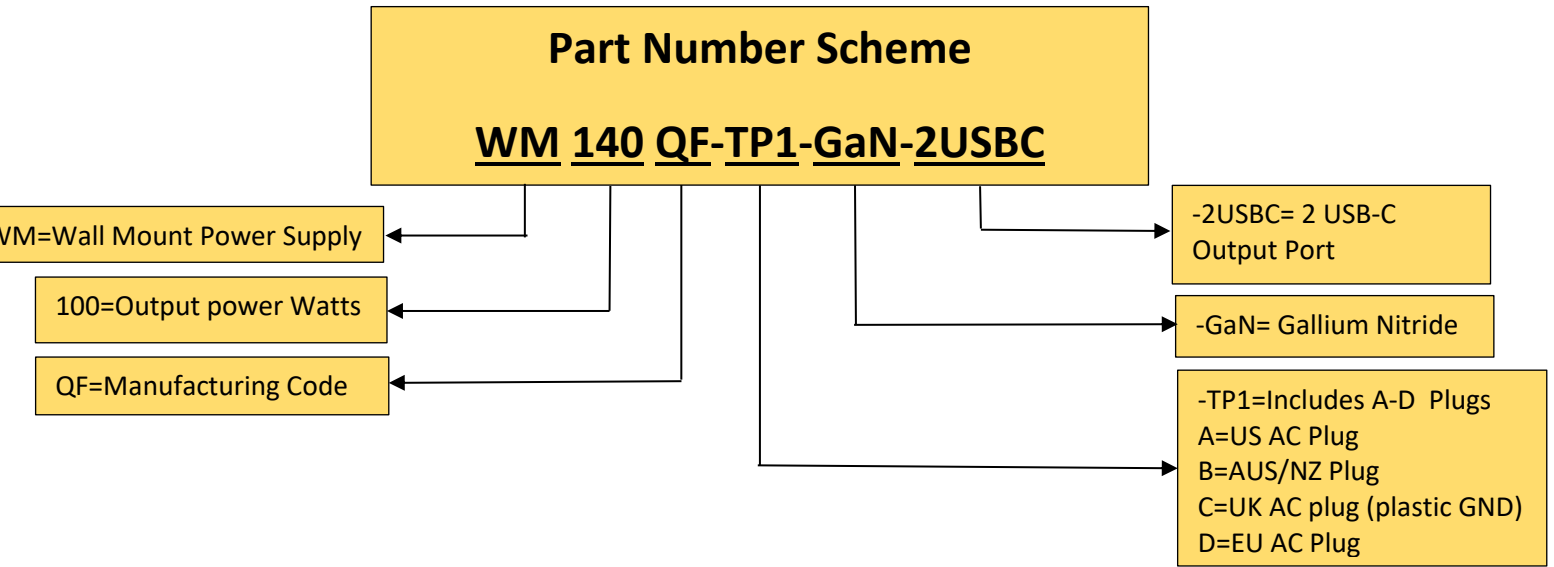
2 / 4

■ **Mechanical Diagram**



■ **Mechanical Diagram(Interchangeable Blades)**





*Product images are for illustrative purposes only and may vary from actual design.

*Specifications are subject to change without notice. Autec is not responsible for issues arising from errors or omissions.