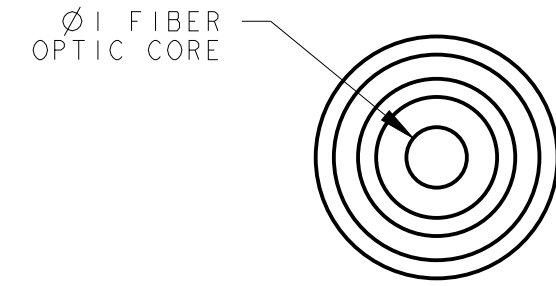


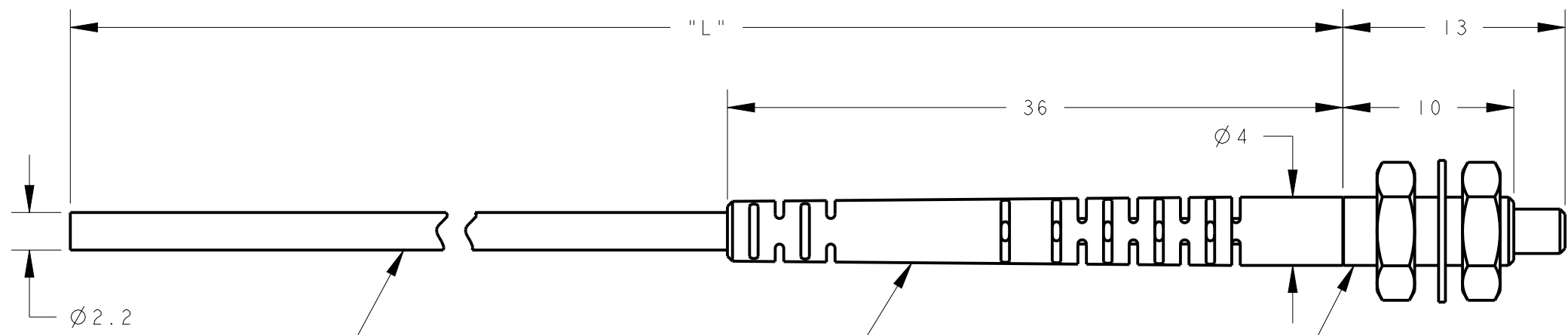
MODEL NO.	"L"	P/N
PIT46U-VL	2000	87544
PIT43U-VL	1000	87543

NOTES:

- OPERATING TEMPERATURE -55°C ~ +70°C.
- MINIMUM BEND RADIUS R25.



DETAIL A
SCALE 8:1



POLYETHYLENE

PVC FLEX-RELIEF

M4 X 0.7
NICKEL PLATED BRASS
2X JAM NUTS (8MM ACROSS
FLATS X 2.3MM THICK)
2X ITLW (Ø8.3MM) INCLUDED

M2.6 X 0.45

SEE DETAIL A

This drawing is the property of BANNER ENGINEERING CORP. Any use or reproduction, in any form, without prior written permission of Banner is prohibited. © 2015 Banner Engineering Corp.



BANNER ENGINEERING CORP.

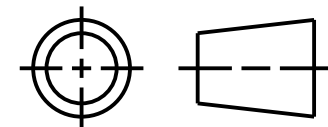
www.bannerengineering.com

TITLE
PIT4 VALUE LINE SERIES UNTERMINATED

SIZE B DRAWING NO. **178352** REV. **B**

SCALE 3:1 SHEET 1 OF 1

THIRD ANGLE PROJECTION



- NOTES:
- ALL DIMENSIONS ARE MILLIMETERS [INCHES] UNLESS OTHERWISE NOTED.
 - REFER TO "www.bannerengineering.com" FOR ADDITIONAL DATA AND SPECIFICATIONS.

CREO