

NMA 1 SERIES

Non-magnetic Trimmer Capacitors

Part Number	Capacitance (pF)		Q (Min) 100 MHz.	DC Working Voltage	DC Withstanding Voltage	Dielectric	Fig.	"A" Dim. ± .016	"B" Dim. ± .016
	From Below	To Above							
NMA1F4HV	0.45	4	4000	1000	2000	PTFE	4	0.39	0.25
NMA1J4HV	0.45	4	4000	1000	2000	PTFE	1	0.14	0.26
NMA1M4HV	0.45	4	4000	1000	2000	PTFE	5	0.40	0.26
NMA1P4HV	0.45	4	4000	1000	2000	PTFE	2	0.14	0.26
NMA1T4HV	0.45	4	4000	1000	2000	PTFE	3	0.15	0.24
NMA1F8HV	0.5	8	3000	500	1000	PTFE	4	0.39	0.25
NMA1J8HV	0.5	8	3000	500	1000	PTFE	1	0.14	0.26
NMA1M8HV	0.5	8	3000	500	1000	PTFE	5	0.40	0.26
NMA1P8HV	0.5	8	3000	500	1000	PTFE	2	0.14	0.26
NMA1T8HV	0.5	8	3000	500	1000	PTFE	3	0.15	0.24
NMA1F12HV	0.6	12	2000	500	1000	PTFE	4	0.50	0.30
NMA1J12HV	0.6	12	2000	500	1000	PTFE	1	0.20	0.30
NMA1M12HV	0.6	12	2000	500	1000	PTFE	5	0.50	0.30
NMA1P12HV	0.6	12	2000	500	1000	PTFE	2	0.20	0.30
NMA1T12HV	0.6	12	2000	500	1000	PTFE	3	0.21	0.29

FIG. 1

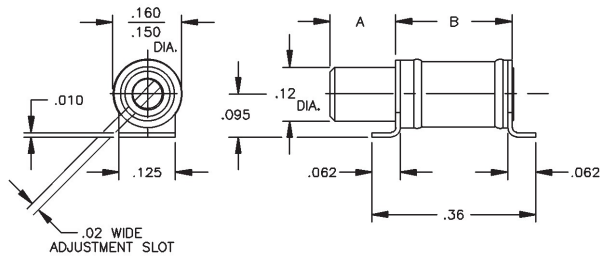


FIG. 4

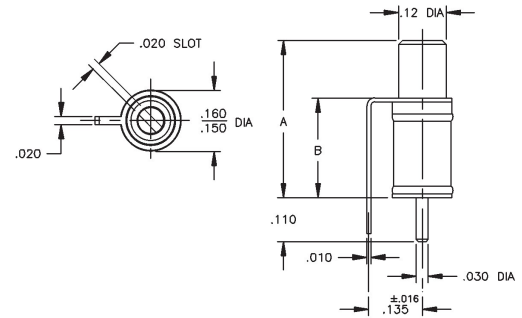


FIG. 2

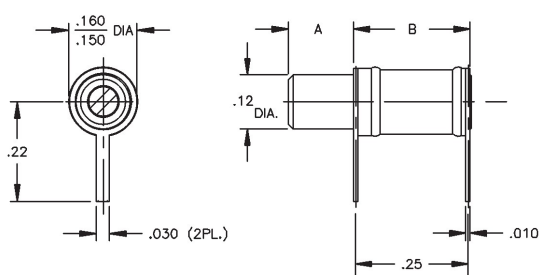


FIG. 5

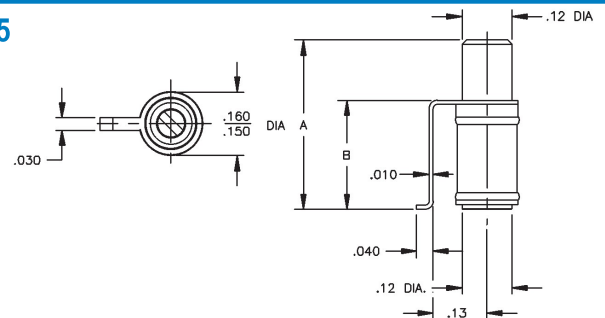
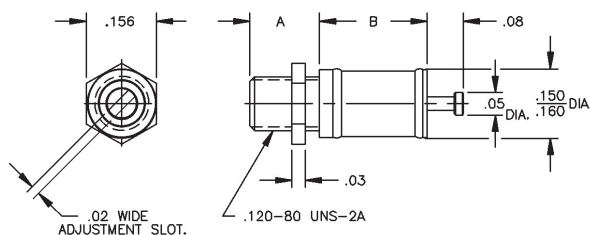


FIG. 3



IN	MM	IN	MM	IN	MM	IN	MM
0.010	0.254	0.070	1.778	0.150	3.810	0.278	7.061
0.015	0.381	0.080	2.032	0.156	3.962	0.290	7.366
0.016	0.406	0.095	2.413	0.160	4.064	0.320	8.128
0.020	0.508	0.100	2.540	0.165	4.191	0.325	8.255
0.025	0.635	0.110	2.794	0.210	5.334	0.360	9.144
0.030	0.762	0.120	3.048	0.220	5.588	0.390	9.906
0.036	0.914	0.125	3.175	0.225	5.715	0.400	10.160
0.040	1.016	0.130	3.302	0.240	6.096		
0.050	1.270	0.125	3.429	0.250	6.350		
0.062	1.575	0.140	3.556	0.260	6.604		