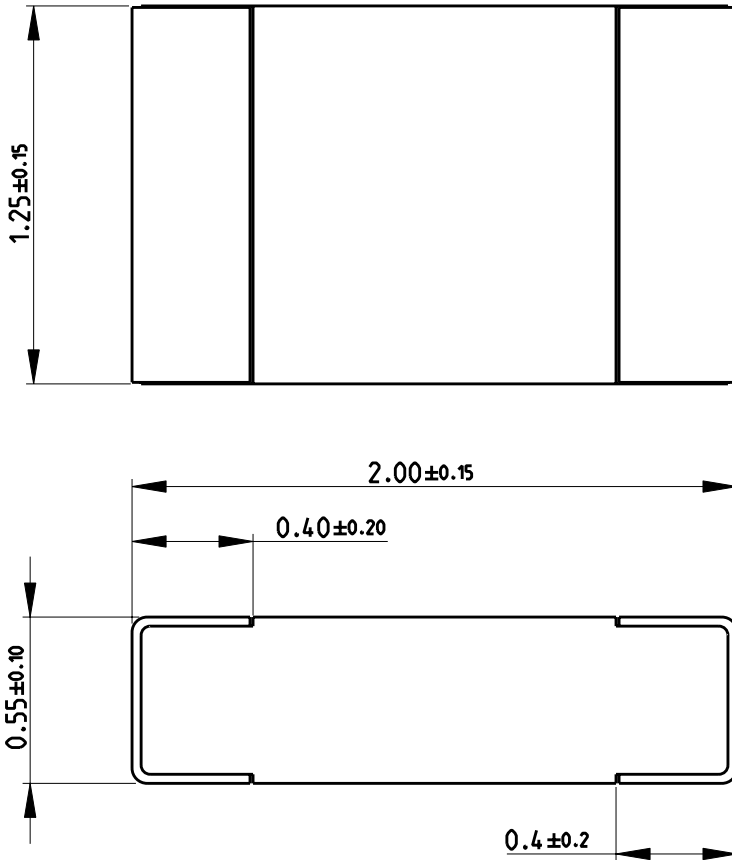
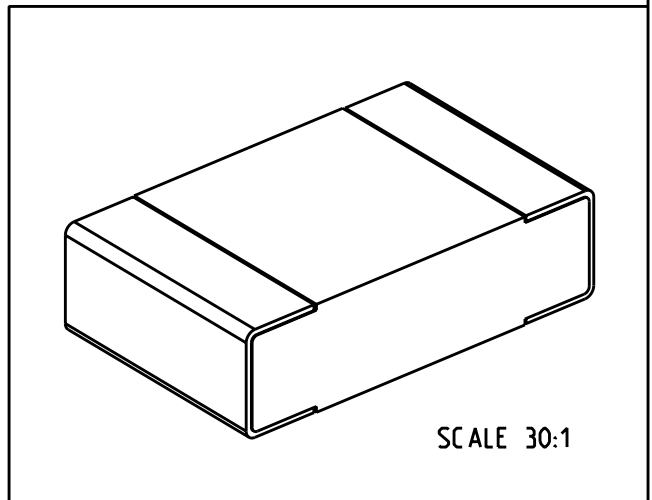


LOC	DIST	REVISIONS					
E	B	P	LTR	DESCRIPTION	DATE	DWN	APVD
		BA		NEW RELEASE	11-MAY-09	SM	St.P

FOR FURTHER INFORMATION SEE DATA SHEET FOR  
CRG SERIES-THICK FILM CHIP RESISTORS



RoHS Compliant



2009

RELEASED FOR PUBLICATION

THIS DRAWING IS UNPUBLISHED.

BY TYCO ELECTRONICS CORPORATION. ALL RIGHTS RESERVED.

© COPYRIGHT 2009

DIMENSIONS: <b>mm</b>	DWN <b>SUBHASH.M</b>	11-MAY-09	MATERIAL	-	FINISH	-
	CHK <b>PRAKASH.S</b>	11-MAY-09	Tyco Electronics Corporation Dorcan, Swindon, SN3 5HH			
TOLERANCES UNLESS OTHERWISE SPECIFIED:	APVD <b>STEPHEN.P</b>	11-MAY-09				
0 PLC ±0.5	PRODUCT SPEC	-	NAME <b>THICK FILM CHIP RESISTORS</b>			
1 PLC ±0.2	APPLICATION SPEC	-	SIZE CAGE CODE DRAWING NO RESTRICTED TO			
2 PLC ±0.1		-	A 4 00779 C- 1623224 -			
3 PLC ±-		-	SCALE 40:1 SHEET 1 OF 1 REV BA			
4 PLC ±-	WEIGHT	-				
ANGLES ±5°		-	CUSTOMER DRAWING			

