

THIS DRAWING IS UNPUBLISHED. RELEASED FOR PUBLICATION
 © COPYRIGHT - By - ALL RIGHTS RESERVED.

PART NUMBER	REV	FIRST USED
1-1198896-5	A	-

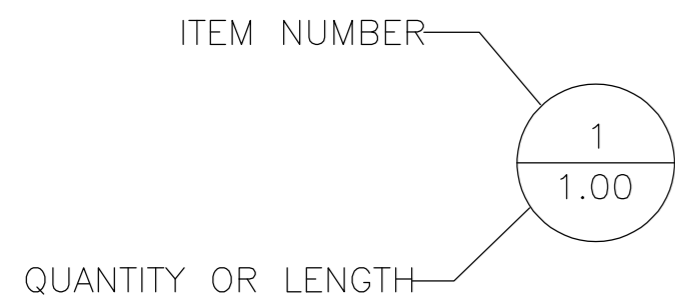
LOC		DIST		REVISIONS			
P	LTR	DESCRIPTION	DATE	DWN	APVD		
A	00	INITIAL REVISION	02DEC2014	MY	RK		

1. SEE SHEET 2 THRU 4 FOR SPARE PARTS.

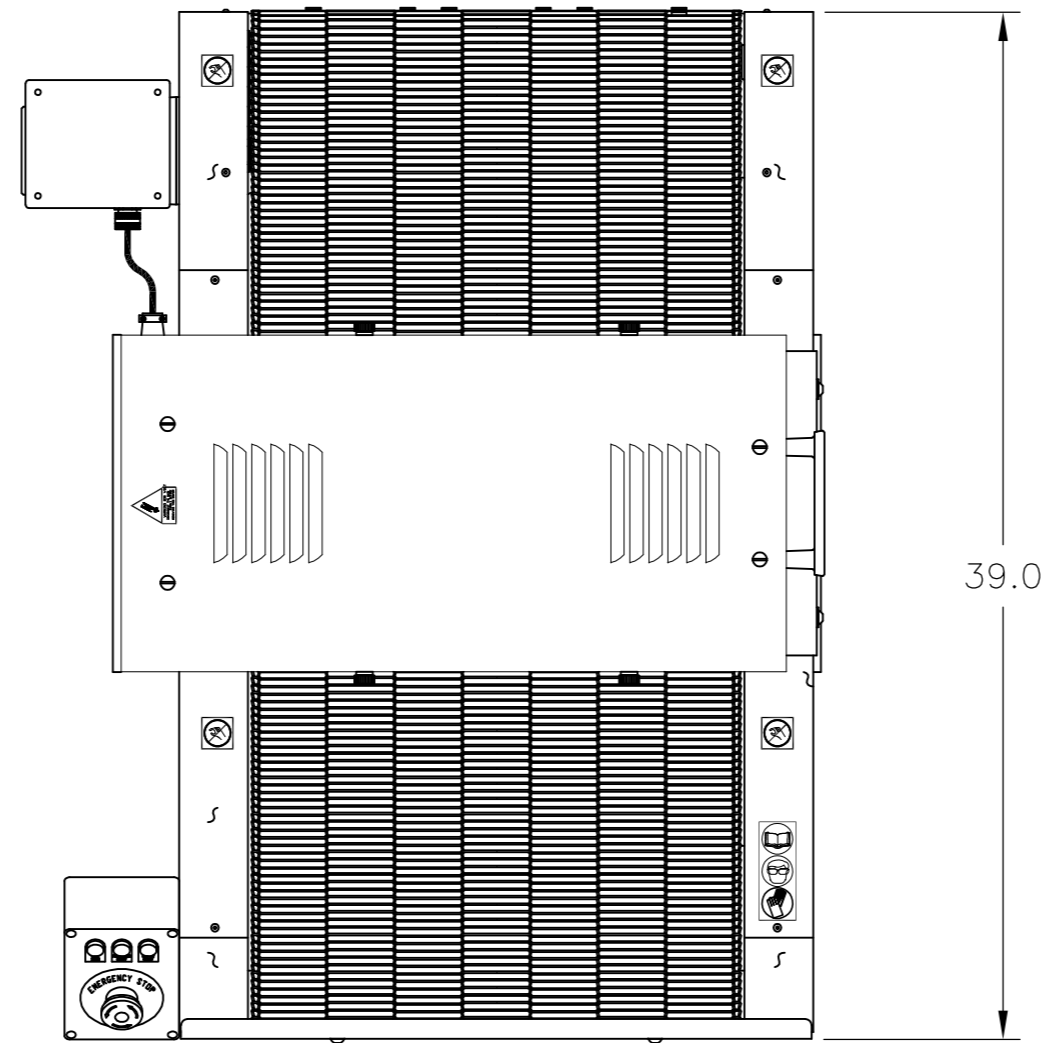
2. CLIP SET IS INCLUDED WITH ITEM 1.

3. THE LOWER HEATING ELEMENT IS NESTED IN A TRAY BELOW THE WIRE BELT DIRECTLY OPPOSING THE UPPER HEATER.

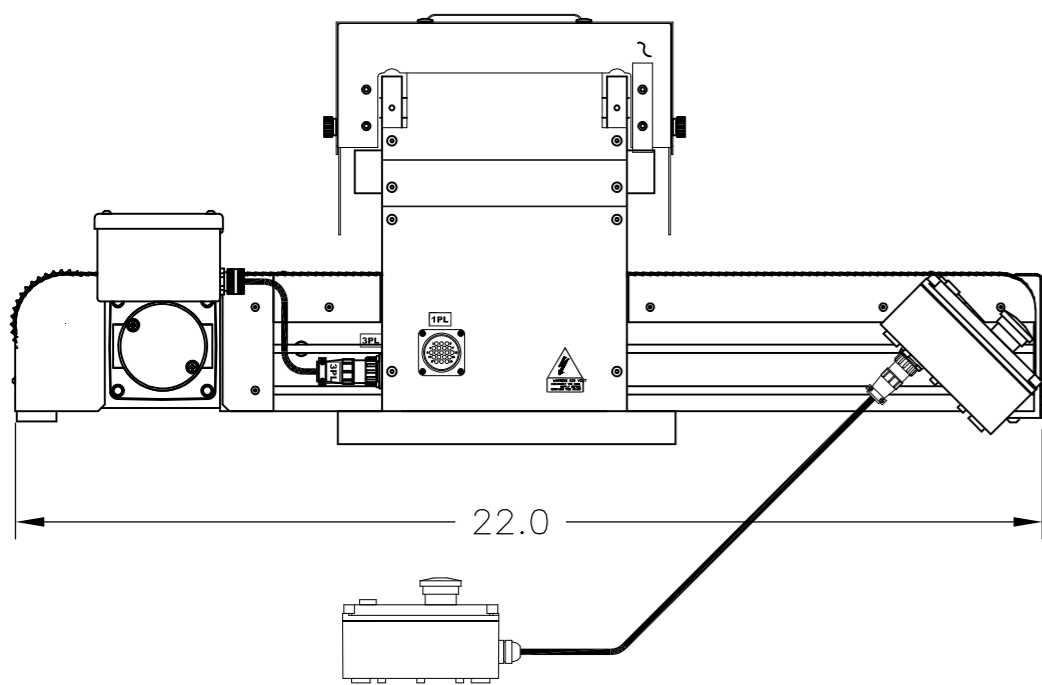
4. WEIGHT 167 LBS.



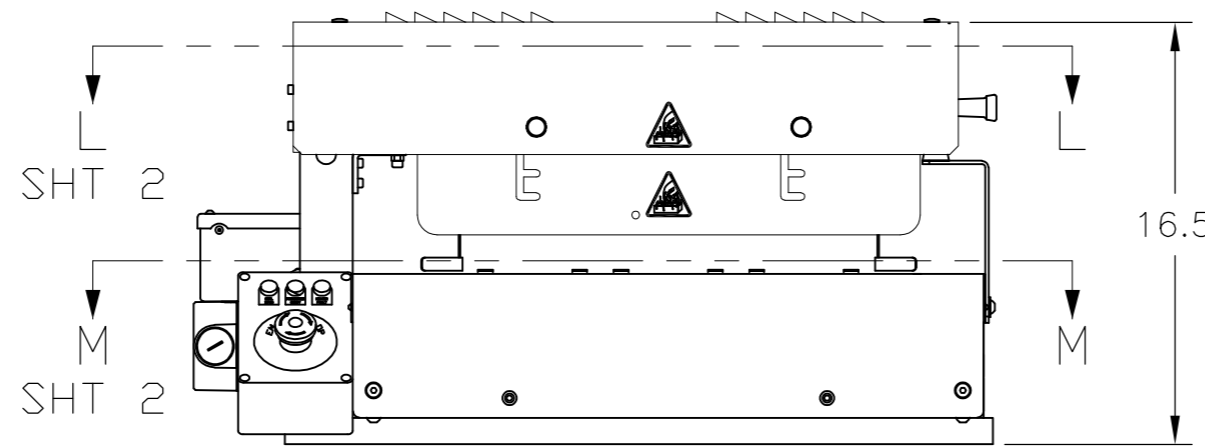
BALLOON LEGEND



TOP VIEW



SIDE VIEW



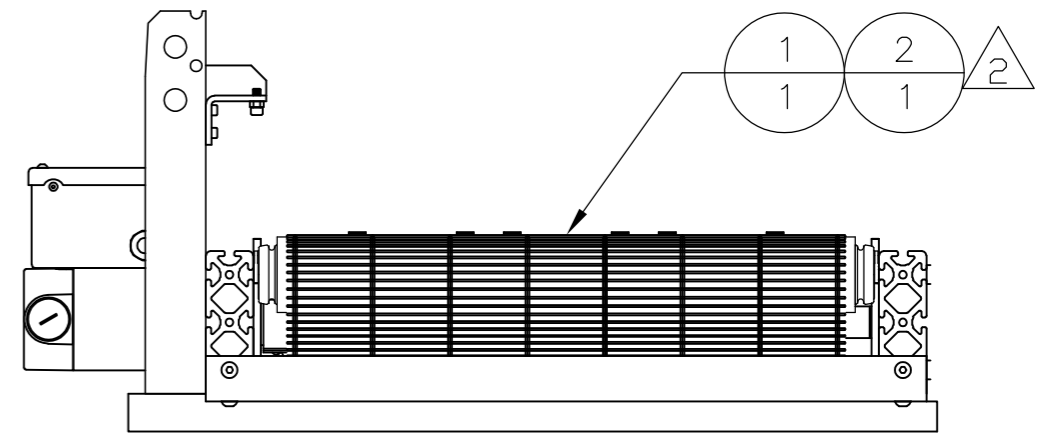
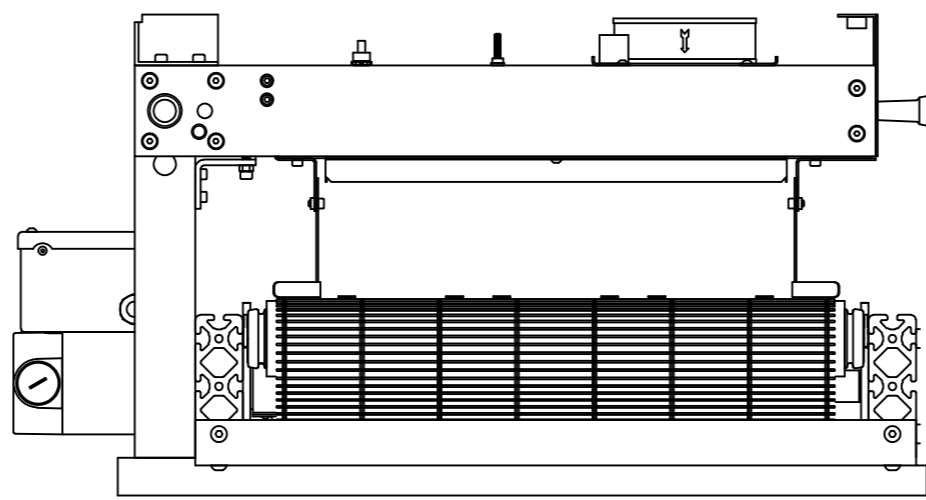
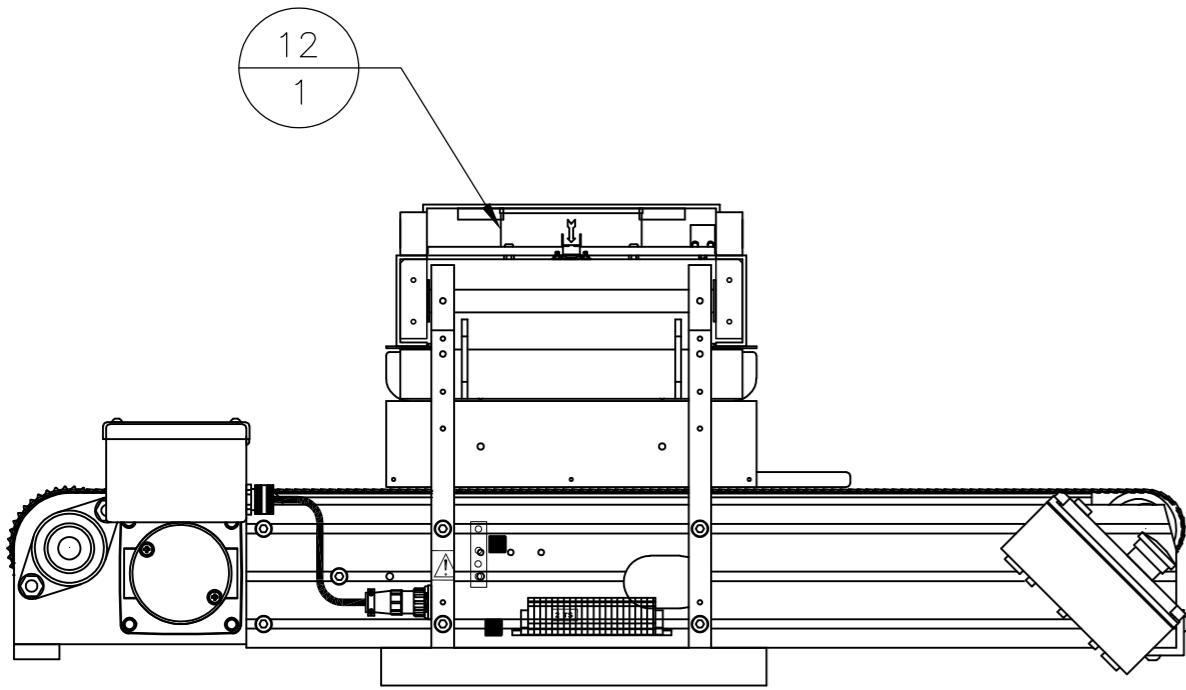
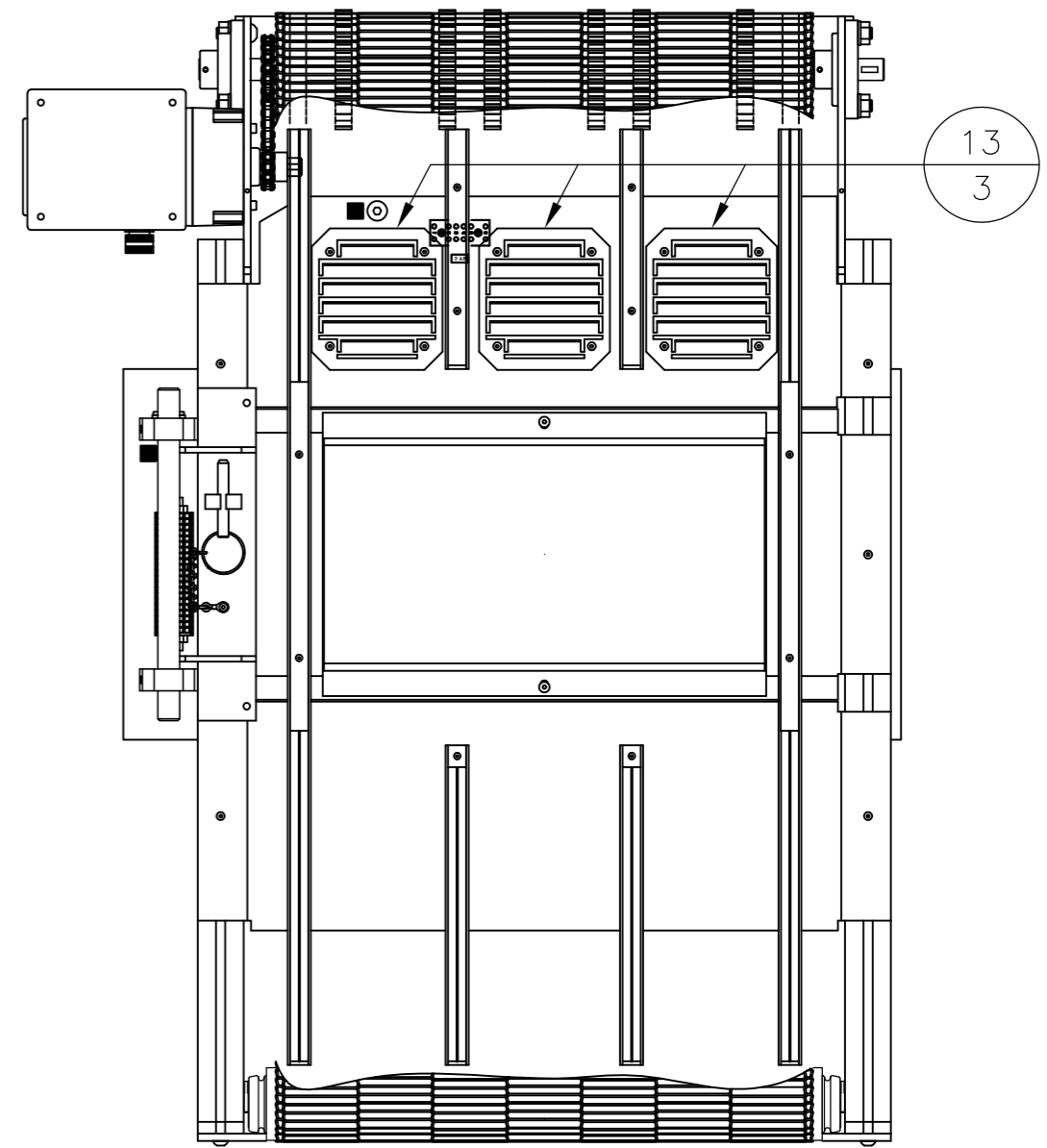
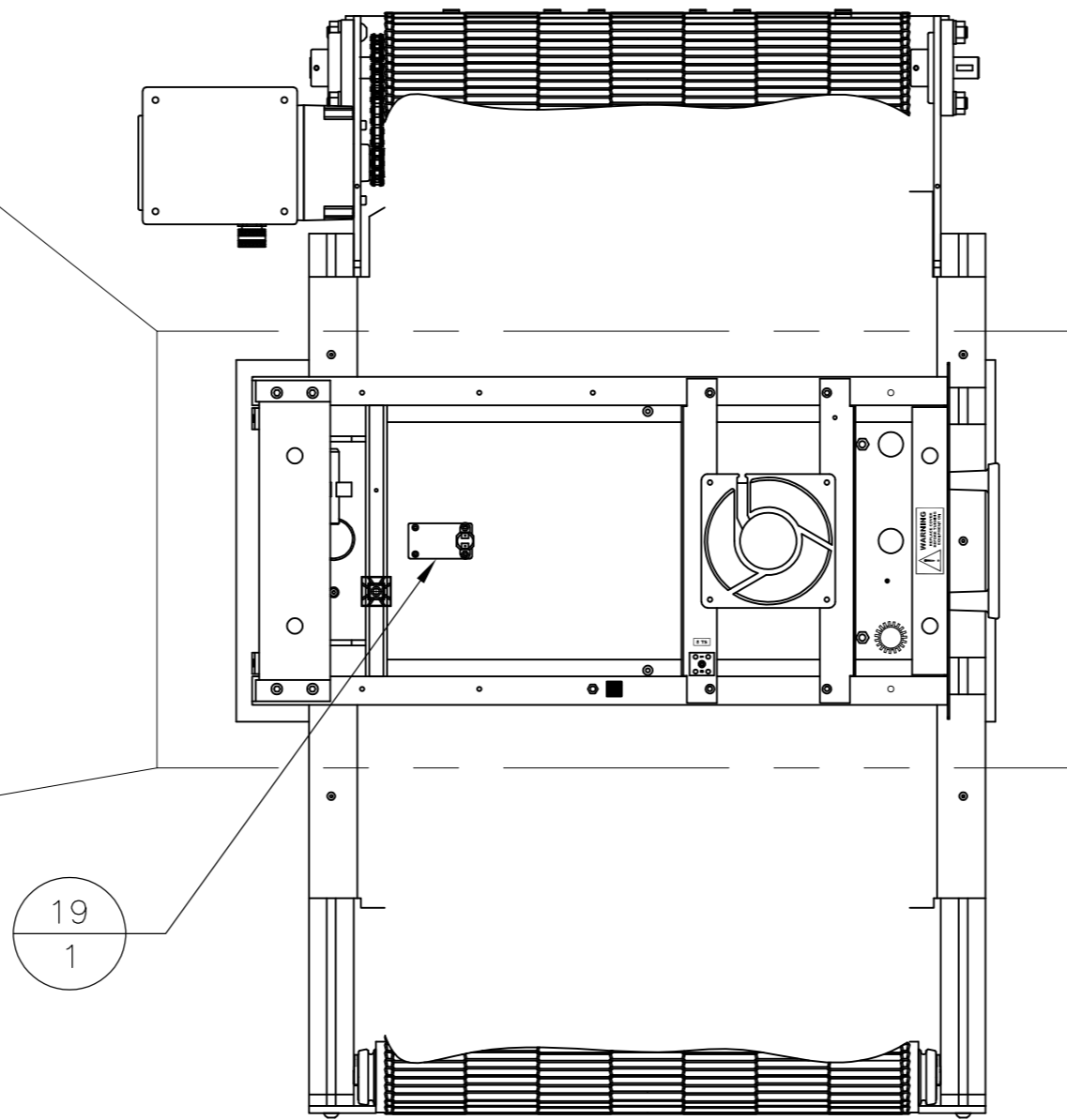
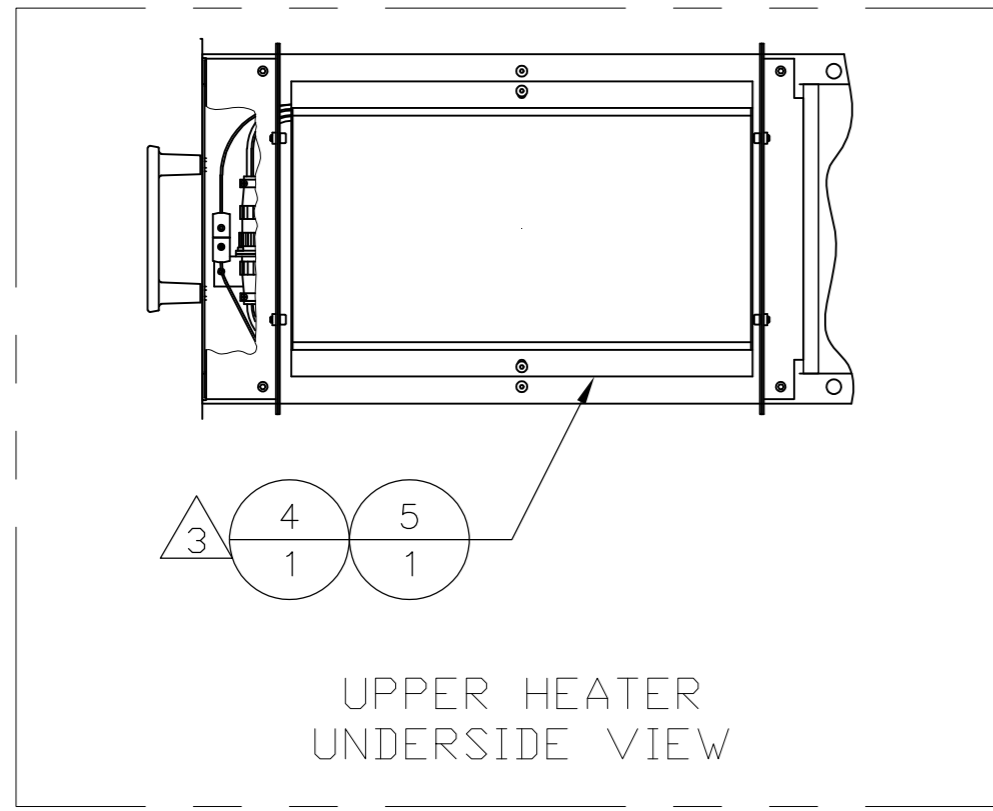
FRONT VIEW

QTY	U/M	PART NO	DESCRIPTION	ITEM NO
1	-	641271-000	SOLID STATE RELAY, 24-330VAC, 50A OUTPUT, 4-20VDC INPUT, W/SAFETY COVER	24
1	-	812785-000	TIMER, DELAY ON BREAK, 20 MINUTE DELAY TIME, 1A, 120VAC 50/60Hz	23
1	-	514357-000	DIGITAL POTENTIOMETER, 3 DIGIT, 5K, 2 WATT, 0.1%	22
1	-	2-547565-0	FUSE, IEC 5x20mm, LOW BREAKING, TIME DELAY, 250V, 1.6A	21
1	-	858515-000	FUSE, IEC 5x20mm, LOW BREAKING, TIME DELAY, 250V, 1A	20
1	-	999764-000	SWITCH, TEMPERATURE, NC, OPEN @ 225°F ±5°, CLOSE @ 205°F ±5°, HORIZONTAL TABS	19
1	-	D13099-000	CIRCUIT BREAKER, 2 POLE, 15A, 250VAC, 50/60 Hz, UL, CSA, VDE APPROVED	18
2	-	684893-000	IND. LIGHT, 125VAC NEON, CLEAR, 0.5" RND SNAP IN PANEL MNT., 0.250 TABS	17
3	-	875571-000	IND. LIGHT, 125VAC NEON, AMBER, 0.5" RND SNAP IN PANEL MNT., 0.250 TABS	16
4	-	211185-000	IND. LIGHT, 125VAC NEON, RED, 0.5" RND SNAP IN PANEL MNT., 0.250 TABS	15
1	-	241900-000	GEARMOTOR, 1/8 HP, 130VDC, 1.3A(REPLACES ITEM 7 WHICH IS OBSOLETE)	14
3	-	243722-000	FAN, BALL BEARING, 31 CFM, 120VAC, 3.62x3.62x0.98", WITH 12" LEADS	13
1	-	050684-000	FAN, BALL BEARING, 88/106 CFM, 120VAC, 50/60Hz, 4.69x4.69x1.5"	12
2	-	353155-000	RELAY, DPDT, 10A, 220VAC CONTACTS, 120VAC, 50/60Hz COIL, VDE APPROVAL	11
1	-	498666-000	RELAY, SUPER SENSITIVE, SPDT, 2A, 115VAC CONTACTS, 5VDC COIL	10
1	-	882465-000	RELAY, DPST, 25A, 220VAC CONTACTS, 110VAC 50/60Hz COIL, VDE APPROVED	9
1	-	832785-000	RELAY, 4PDT, 10A, 220VAC CONTACTS, 120VAC 50/60Hz COIL, VDE APPROVED	8
1	-	874606-000	REPLACEMENT MOTOR BRUSH SET - MODEL 105 TUNNEL OVEN - OBSOLETE SEE 14	7
1	-	846002-000	DYNAPAR TEMPERATURE CONTROLLER PROGRAMMED	6
1	-	028380-000	LOWER HEATER ELEMENT, IR, 15.25"x8.0", 1500 W, 240VAC	5
1	-	C35538-000	UPPER HEATER ELEMENT, IR, 15.25"x8.0", 1500 W, 240VAC, w/TYPE K T/C	4
1	-	575938-000	SCR MOTOR CONTROLLER ASSY, 120V, MODEL KBMM w/0.25 OHM RESISTOR, ASSEMBLED	3
1	-	D33009-000	THREE POSITION SPLICE CLIP SET	2
1	-	509082-000	REPLACEMENT WIREBELT	1
-1	U/M	PART NO	DESCRIPTION	ITEM NO
SPARE PARTS LIST				

THIS DRAWING IS A CONTROLLED DOCUMENT.		DWN M. YOUNGER 02DEC2014	TE Connectivity													
DIMENSIONS: mm		CHK B. KEENEY 02DEC2014														
TOLERANCES UNLESS OTHERWISE SPECIFIED:		APVD B. KEENEY 02DEC2014	NAME MODEL 105 TUNNEL OVEN, 210-240 VAC, 20A, 50-60 Hz (SINGLE PHASE) RAYCHEM NO. 955018-000													
<table border="1"> <tr><td>0 PLC</td><td>± -</td></tr> <tr><td>1 PLC</td><td>± -</td></tr> <tr><td>2 PLC</td><td>± -</td></tr> <tr><td>3 PLC</td><td>± -</td></tr> <tr><td>4 PLC</td><td>± -</td></tr> <tr><td>ANGLES</td><td>± -</td></tr> </table>		0 PLC	± -	1 PLC	± -	2 PLC	± -	3 PLC	± -	4 PLC	± -	ANGLES	± -	PRODUCT SPEC -	SIZE A2	CAGE CODE 00779
0 PLC	± -															
1 PLC	± -															
2 PLC	± -															
3 PLC	± -															
4 PLC	± -															
ANGLES	± -															
MATERIAL -		FINISH -	WEIGHT -	DRAWING NO 1-1198896-5												
CUSTOMER DRAWING			SCALE NTS	SHEET 1 of 4												

THIS DRAWING IS UNPUBLISHED. RELEASED FOR PUBLICATION
 © COPYRIGHT - By - ALL RIGHTS RESERVED.

LOC		DIST		REVISIONS			
P	LTR	DESCRIPTION	DATE	DWN	APVD		
A	00	-	SEE SHEET 1	-	-	-	-



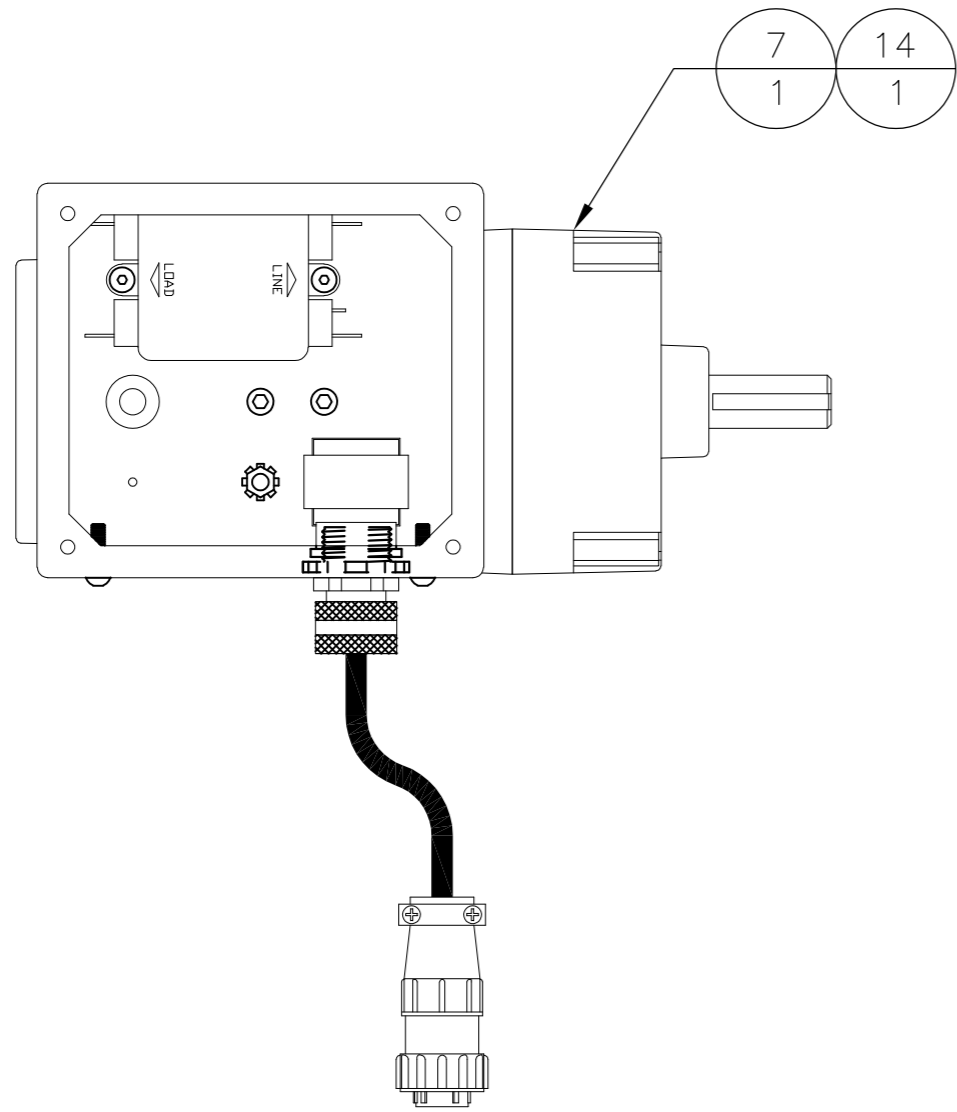
VIEW L-L

VIEW M-M

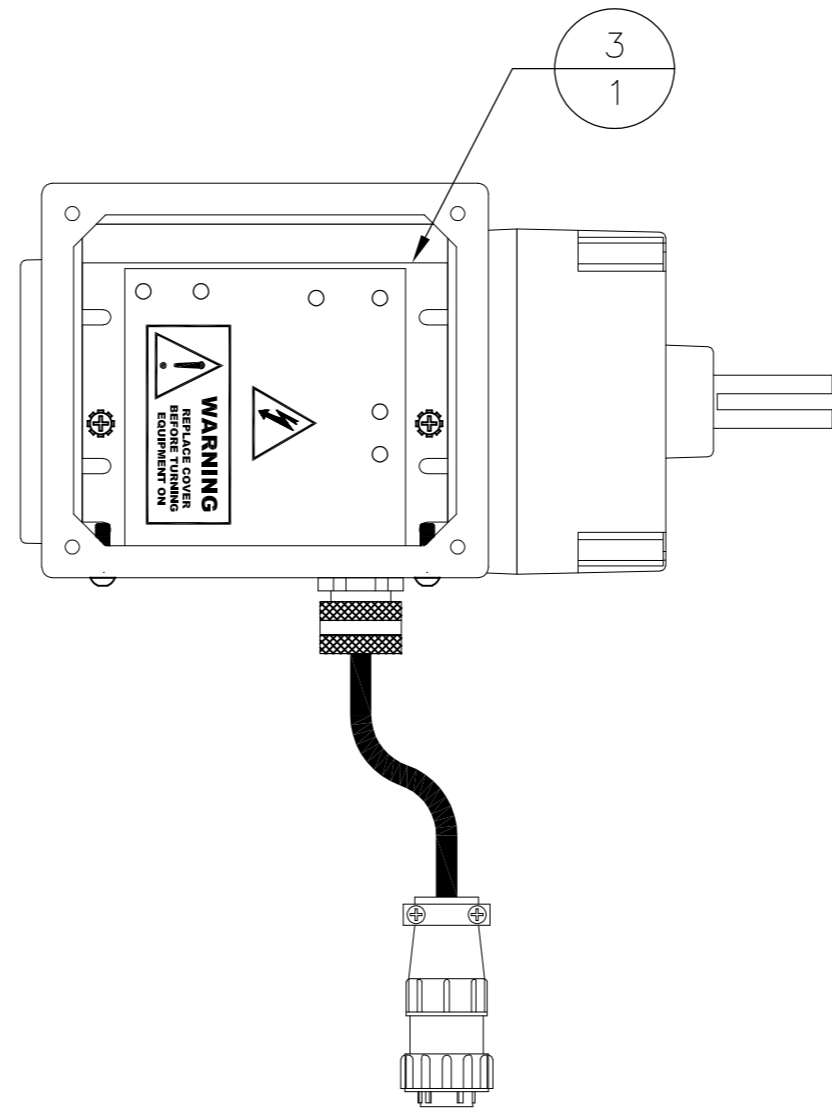
THIS DRAWING IS A CONTROLLED DOCUMENT.		DWN M. YOUNGER 02DEC2014	TE TE Connectivity		
DIMENSIONS: mm		CHK B. KEENEY 02DEC2014			
TOLERANCES UNLESS OTHERWISE SPECIFIED:		APVD B. KEENEY 02DEC2014	NAME MODEL 105 TUNNEL OVEN, 210-240 VAC, 20A, 50-60 Hz (SINGLE PHASE) RAYCHEM NO. 955018-000		
0 PLC ± - 1 PLC ± - 2 PLC ± - 3 PLC ± - 4 PLC ± - ANGLES ± -		PRODUCT SPEC APPLICATION SPEC	SIZE A2	CAGE CODE 00779	DRAWING NO 1-1198896-5
MATERIAL -		FINISH -	WEIGHT -	SCALE NTS	SHEET 2 of 4
CUSTOMER DRAWING			RESTRICTED TO -	REV A	

THIS DRAWING IS UNPUBLISHED. RELEASED FOR PUBLICATION
 © COPYRIGHT - By - ALL RIGHTS RESERVED.

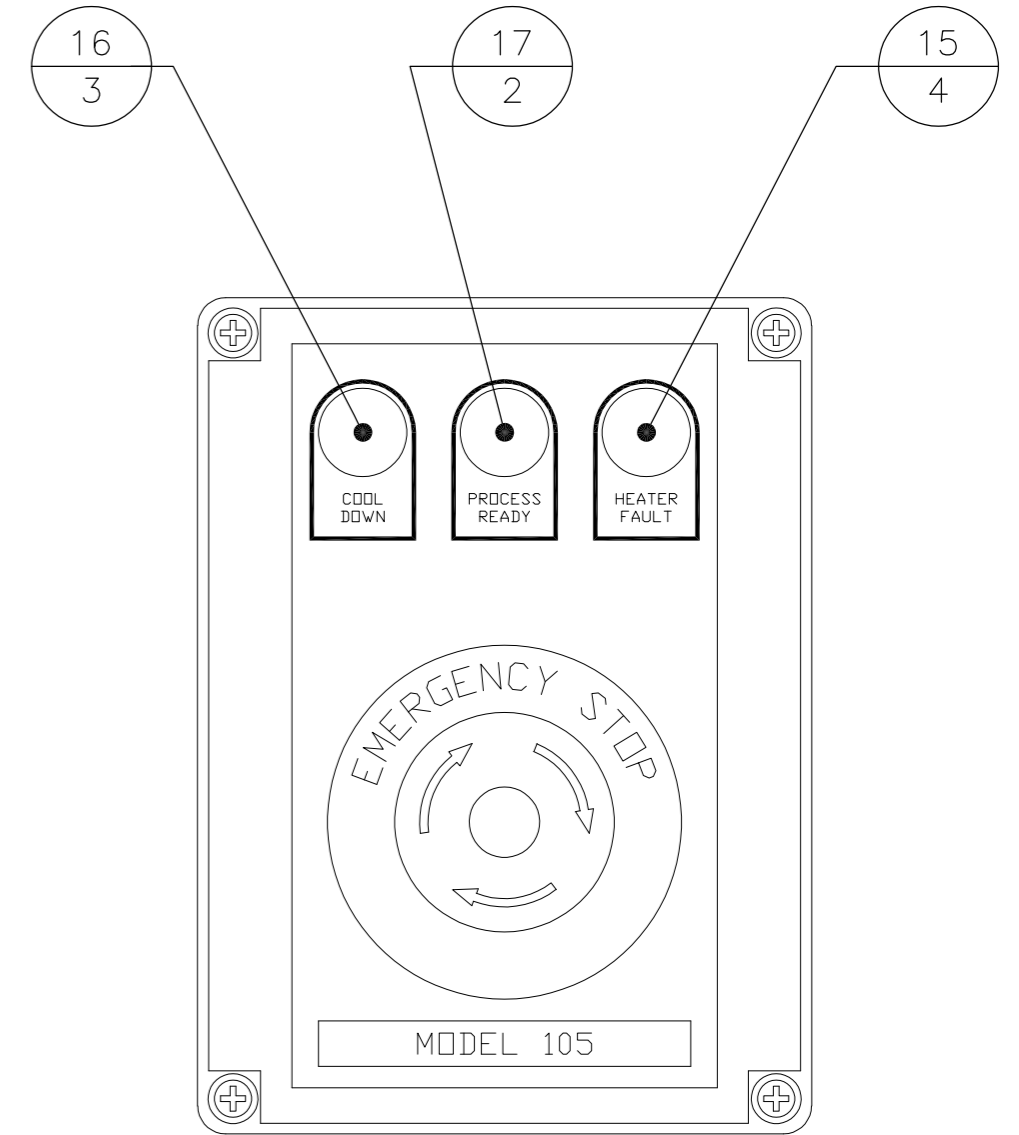
LOC	DIST	REVISIONS			
P	LTR	DESCRIPTION	DATE	DWN	APVD
A	00	SEE SHEET 1	-	-	-



TOP VIEW
 (W/O CONTROLLER
 OR ENCLOSURE COVER)



TOP VIEW
 (W/O ENCLOSURE COVER)



ENCLOSURE
 FRONT VIEW

THIS DRAWING IS A CONTROLLED DOCUMENT.		DWN M. YOUNGER 02DEC2014		
DIMENSIONS: mm		CHK B. KEENEY 02DEC2014		
TOLERANCES UNLESS OTHERWISE SPECIFIED:		APVD B. KEENEY 02DEC2014	NAME	
0 PLC ± -		PRODUCT SPEC	MODEL 105 TUNNEL OVEN, 210-240 VAC, 20A, 50-60 Hz (SINGLE PHASE) RAYCHEM NO. 955018-000	
1 PLC ± -		APPLICATION SPEC	SIZE	RESTRICTED TO
2 PLC ± -		WEIGHT	A2	-
3 PLC ± -		CUSTOMER DRAWING	CAGE CODE	DRAWING NO
4 PLC ± -			00779	C=1-1198896-5
ANGLES ± -			SCALE	SHEET
FINISH			NTS	3 OF 4
MATERIAL			REV	A

4

3

2

1

THIS DRAWING IS UNPUBLISHED. RELEASED FOR PUBLICATION
 © COPYRIGHT - By - ALL RIGHTS RESERVED.

LOC	DIST	REVISIONS			
P	LTR	DESCRIPTION	DATE	DWN	APVD
A	00	SEE SHEET 1	-	-	-

OUTSIDE VIEW

TOP VIEW
COVER REMOVED

OUTSIDE VIEW

INSIDE VIEW

DETAIL A
FRONT PANEL

SIDE VIEW

INSIDE VIEW

DETAIL B
REAR PANEL

ELECTRICAL ENCLOSURE

THIS DRAWING IS A CONTROLLED DOCUMENT.		DWN M. YOUNGER 02DEC2014	TE TE Connectivity
DIMENSIONS: mm		CHK B. KEENEY 02DEC2014	
TOLERANCES UNLESS OTHERWISE SPECIFIED:		APVD B. KEENEY 02DEC2014	NAME MODEL 105 TUNNEL OVEN, 210-240 VAC, 20A, 50-60 Hz (SINGLE PHASE) RAYCHEM NO. 955018-000
0 PLC ± - 1 PLC ± - 2 PLC ± - 3 PLC ± - 4 PLC ± - ANGLES ± -		PRODUCT SPEC APPLICATION SPEC	SIZE A2
MATERIAL -		WEIGHT -	CAGE CODE 00779
FINISH -		CUSTOMER DRAWING	DRAWING NO C=1-1198896-5
		SCALE NTS	RESTRICTED TO -
		SHEET 4 OF 4	REV A

1471-9 (3/11)

1-1198896-5