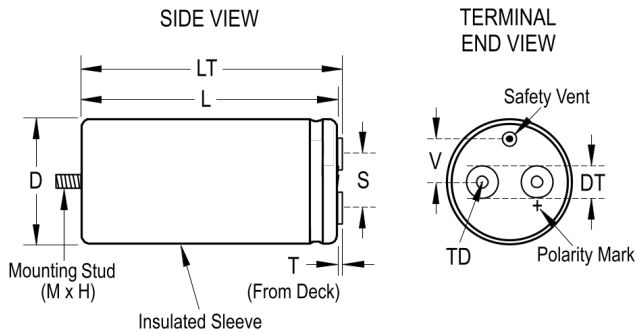


ALS31A151DA450

Aliases (A431FB151M450A)

ALS31, Aluminum Electrolytic, 150 uF, 20%, 450 VDC, -40/+85°C



Click [here](#) for the 3D model.

Dimensions

D	36mm +/-1mm
L	52mm +/-2mm
T	7.1mm +/-0.5mm
S	12.8mm +/-0.5mm
DT	8mm +/-0.5mm
LT	58.5mm +/-1mm
TD	10mm MIN
V	8mm NOM

Packaging Specifications

Sleeving	Yes
Packaging	Bulk, Box

General Information

Series	ALS31
Dielectric	Aluminum Electrolytic
Description	Screw Terminal, Aluminum Electrolytic
RoHS	Yes
AEC-Q200	No
Component Weight	75 g
Notes	Dimensions D And L Include Sleeving. MS (MxH) = M8x12.
Shelf Life	156 Weeks

Specifications

Capacitance	150 uF
Capacitance Tolerance	20%
Voltage DC	450 VDC, 495 VDC (Surge)
Temperature Range	-40/+85°C
Rated Temperature	85°C
Life	11000 Hrs (Rated Voltage And Ripple Current At 85C), 22000 Hrs (Rated Voltage At 85C)
Resistance	735 mOhms (100Hz 20C), 485 mOhms (10kHz 20C)
Ripple Current	1.8 Amps (100Hz 85C), 4.1 Amps (10kHz 85C)
Leakage Current	405 uA (5min 20°C)