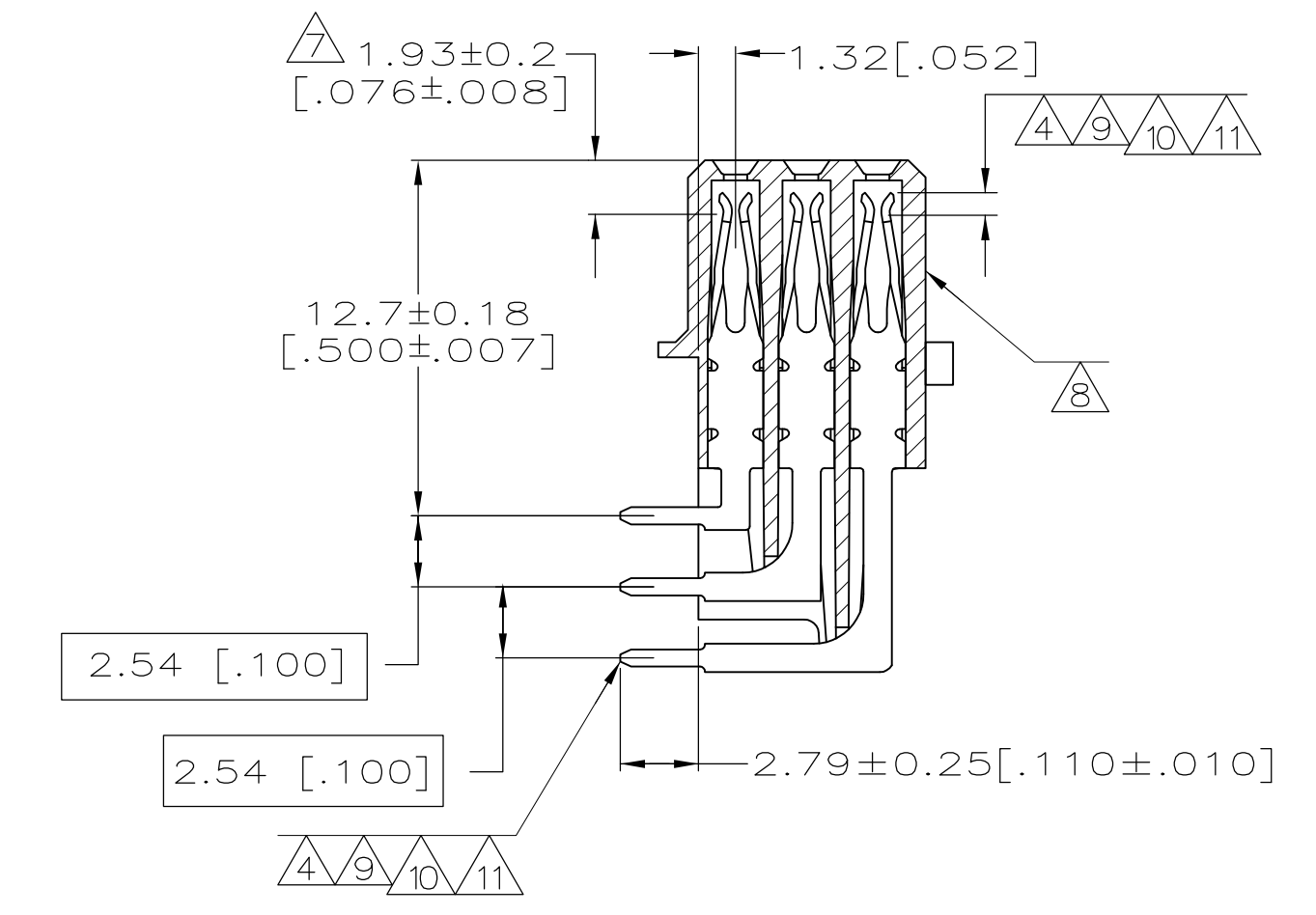
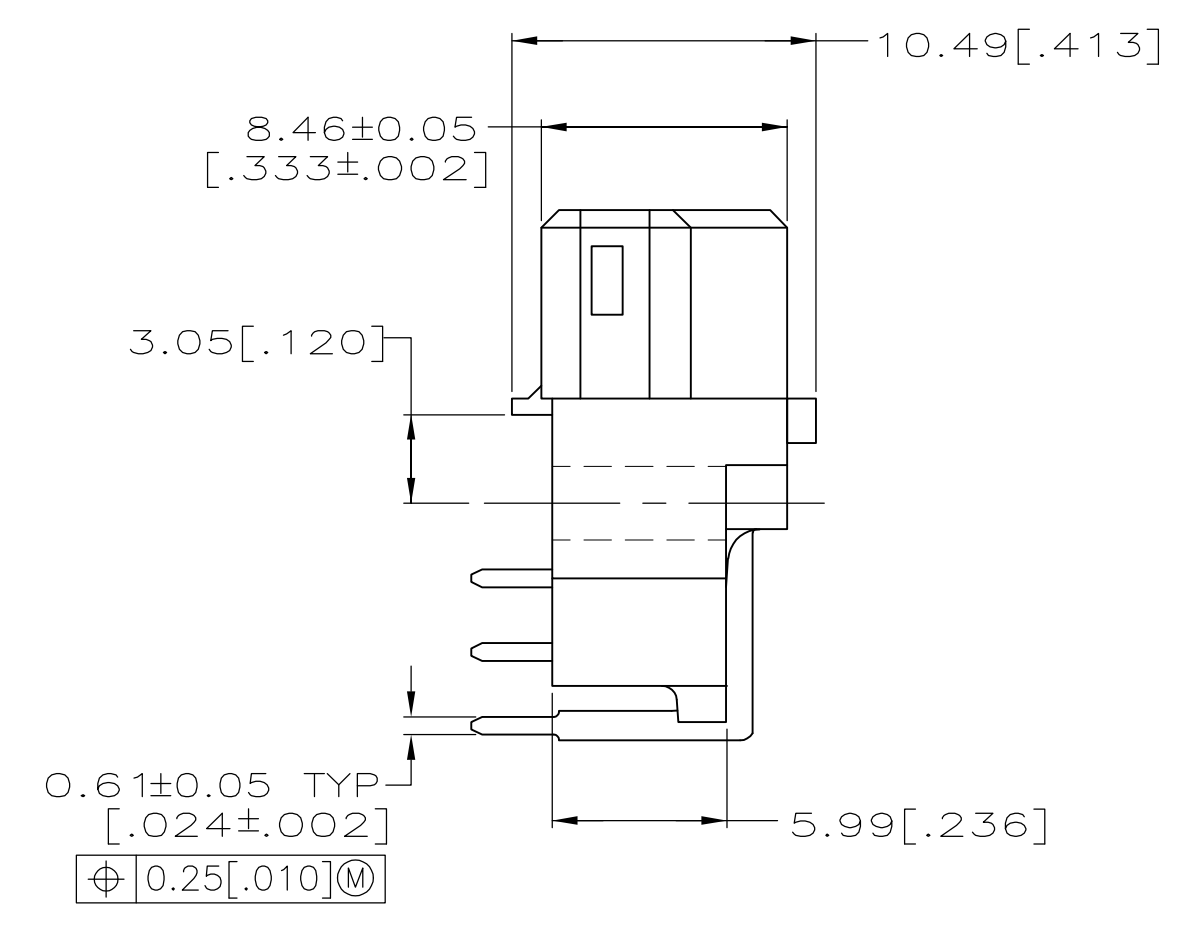
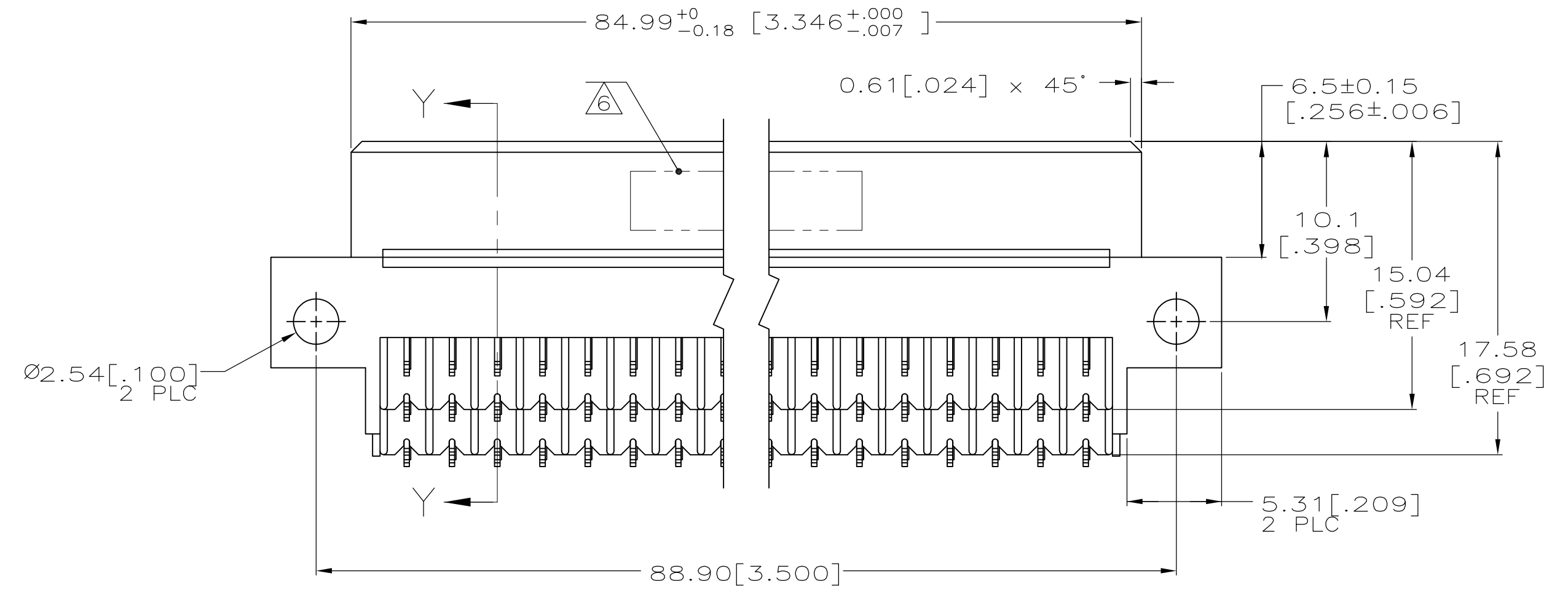
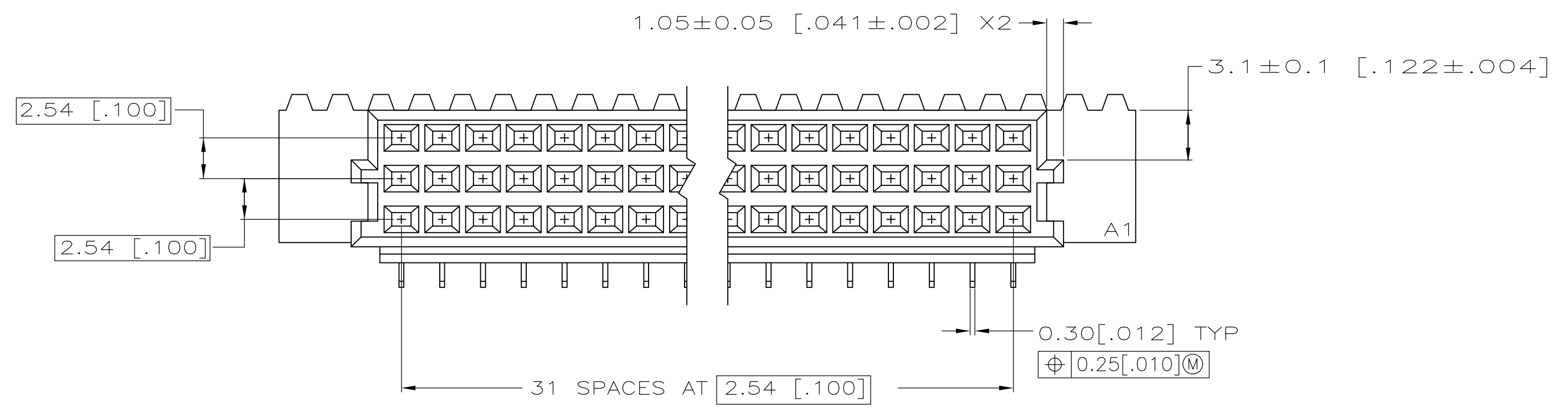
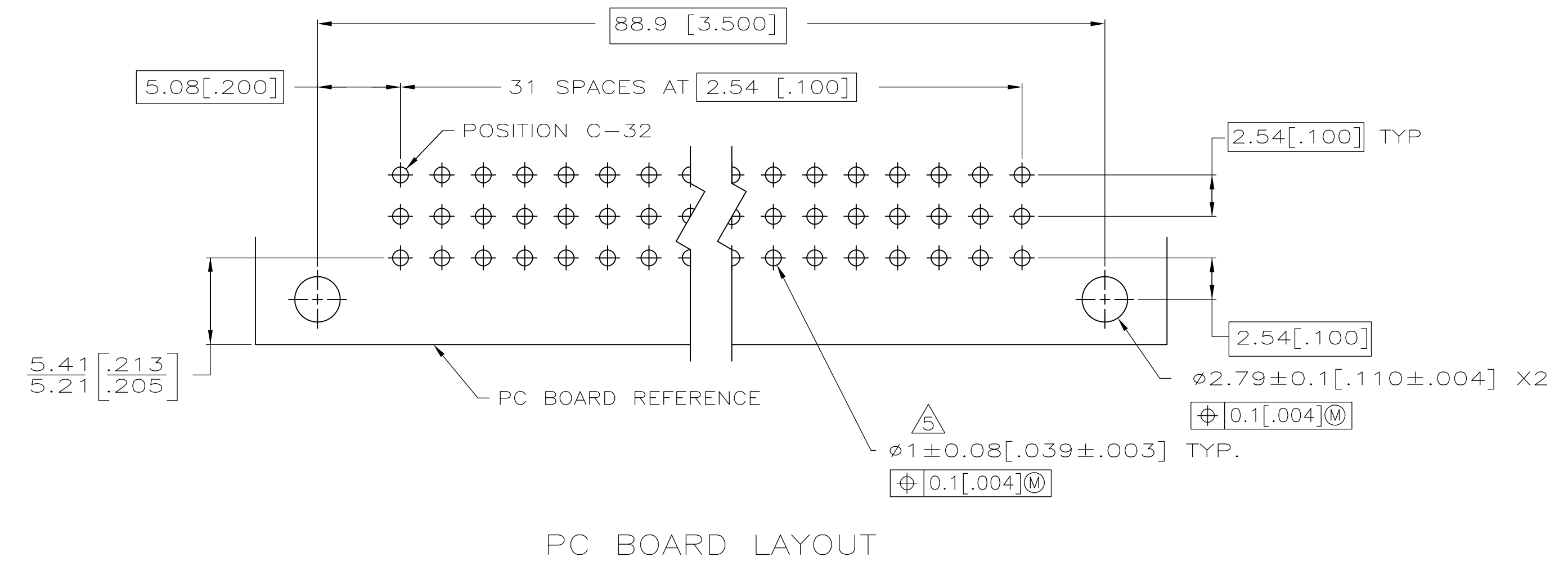
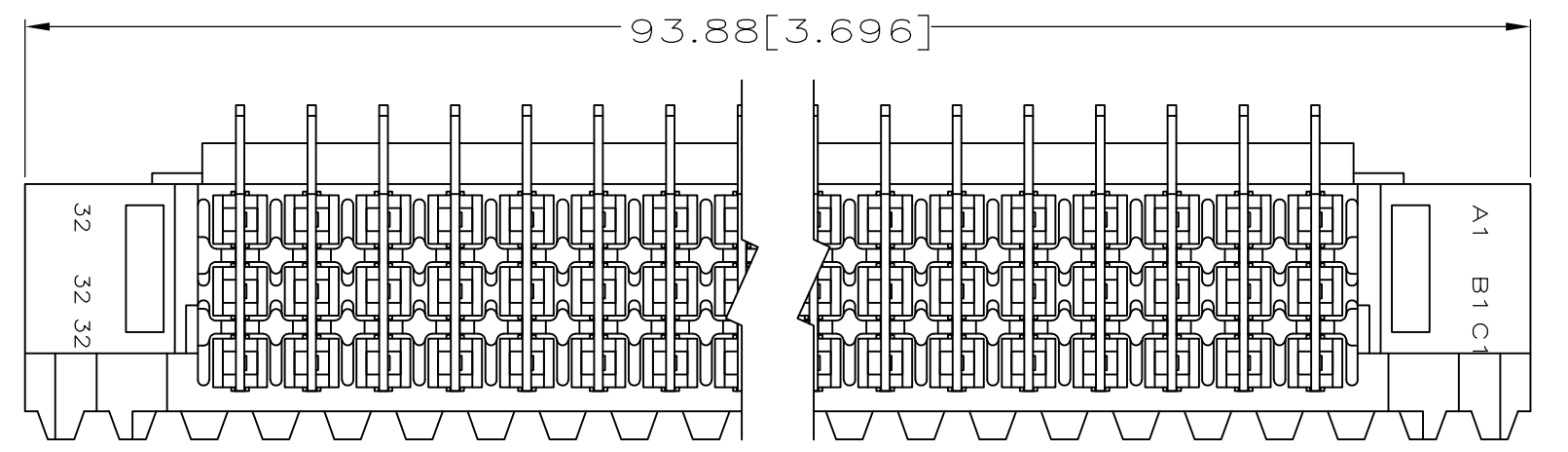


LOC		DIST		REVISIONS			
P	LTR	DESCRIPTION	DATE	OWN	APP'D		
S1		REVISED PER ECO-11-004835	11MAR11	RK	HMR		



SECTION Y-Y



PC BOARD LAYOUT

1. DIMENSIONS IN BRACKETS ARE IN INCHES.
2. HOUSING MATERIAL: GLASS-FILLED POLYESTER. COLOR: GRAY.
3. CONTACT MATERIAL: PHOSPHOR BRONZE.
4. CONTACT FINISH: 0.00076 [.000030] GOLD IN CONTACT AREA. 0.00127 [.000050] NICKEL UNDERPLATE ALL OVER. TIN-LEAD ON POSTS.
5. RECOMMENDED HOLE SIZE FOR MANUAL APPLICATION OF CONNECTOR ONTO PC BOARD.
6. PART NUMBER, DATE CODE IDENTIFICATION, CSA LOGO HOT-STAMPED THIS APPROXIMATE AREA.
7. CONTACT POINT.
8. HOT-STAMPING ON THIS SIDE.
9. CONTACT FINISH: DIN 41612 CLASS 3 IN CONTACT AREA. TIN-LEAD ON POSTS.
10. CONTACT FINISH: 0.00127 [.000050] GOLD IN CONTACT AREA. 0.00127 [.000050] NICKEL UNDERPLATE ALL OVER. TIN-LEAD ON POSTS.
11. CONTACT FINISH: DIN 41612 CLASS 2 IN CONTACT AREA. TIN-LEAD ON POSTS.

OBSOLETE	POSITIONS LOADED	ROWS LOADED			NO. OF LOADED POSITION	ASSY PART NUMBER
		C	B	A		
	1 THRU 32	X	X	X	96	650461-9
	1 THRU 32	X	X	X	96	650461-6
	1 THRU 32	X	X	X	96	650461-5
	1 THRU 32	X	X	X	96	650461-4
	1 THRU 32	X	X	X	96	650461-1

THIS DRAWING IS A CONTROLLED DOCUMENT.		OWN L. BRINER	13MAR90	NAME	
DIMENSIONS: mm(INCHES)		CHK N. DRASHER	24OCT90	ASSEMBLY, RECEPTACLE, EUROCARD, TYPE R, 96 POSITION	
TOLERANCES UNLESS OTHERWISE SPECIFIED:		APVD N. DRASHER	24OCT90	PRODUCT SPEC	
0 PLC ± -		APPLICATION SPEC		SIZE CAGE CODE DRAWING NO	
1 PLC ± -		WEIGHT		A1 00779 C=650461	
2 PLC ± -		SCALE		4:1	
3 PLC ± 0.13(.005)		SHEET		1 OF 1	
4 PLC ± -		REV		S1	
ANGLES ± -		CUSTOMER DRAWING			