

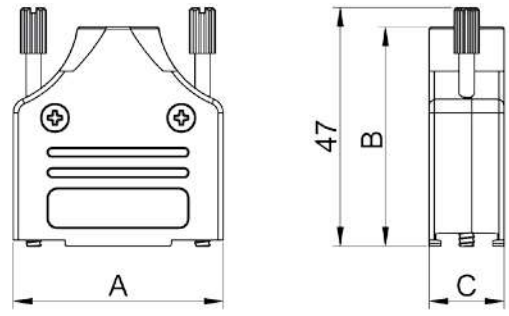
**TECHNICAL SPECIFICATIONS**

**D-Sub Hood:**

Material: Zinc, Nickel Plated  
 Operating Temperature: -40°C to +120°C  
 Cable Entry: Top Entry  
 Thumbscrews: UNC 4-40 (Standard)  
 Cable O.D: Up to 13mm

**Female D-Sub Solder Cup:**

Insulator: PBT, Black, UL94 V-0  
 Shell: Steel, Tin Plated  
 Contact pins: Copper Alloy  
 Stamped & Formed Pins: Class 3, 100 inserts min.  
 Machined Contact Pins: Class 1, 500 inserts min.  
 Contact Plating: Selective Gold over Nickel  
 Operating Temperature: -55°C to +105°C  
 Withstanding voltage: 1000V for 1 minute  
 Insulator resistance: 1000MΩ min



**Features:**

- Available in sizes 9-15-25-37
- 360° EMI Shielding
- Quick assembly
- Supports all types of cables
- Suitable for any common D-Sub connector

| Size MHDM | Dim A | Dim B | Dim C |
|-----------|-------|-------|-------|
| 9-way     | 32,2  | 41,3  | 15,4  |
| 15-way    | 40,6  | 43,3  | 15,4  |
| 25-way    | 54,5  | 49,5  | 15,4  |
| 37-way    | 70,7  | 54,3  | 15,4  |

**Ordering information - Black Insulator:**

| Size:  | P/N - Kitted: | Class 3 - 100 inserts min. |
|--------|---------------|----------------------------|
| 9-way  | 6355-0005-11  | MHDM-09-DBS-K              |
| 15-way | 6355-0005-12  | MHDM-15-DBS-K              |
| 25-way | 6355-0005-13  | MHDM-25-DBS-K              |
| 37-way | 6355-0005-14  | MHDM-37-DBS-K              |

| Size:  | P/N - Kitted: | Class 1 - 500 inserts min. |
|--------|---------------|----------------------------|
| 9-way  | 6355-0006-11  | MHDM-09-DMS-K              |
| 15-way | 6355-0006-12  | MHDM-15-DMS-K              |
| 25-way | 6355-0006-13  | MHDM-25-DMS-K              |
| 37-way | 6355-0006-14  | MHDM-37-DMS-K              |

**Ordering information - White Insulator:**

| Size:  | P/N - Kitted: | Class 3 - 100 inserts min. |
|--------|---------------|----------------------------|
| 9-way  | 6355-8005-11  | MHDM-09-DBS-W-K            |
| 15-way | 6355-8005-12  | MHDM-15-DBS-W-K            |
| 25-way | 6355-8005-13  | MHDM-25-DBS-W-K            |
| 37-way | 6355-8005-14  | MHDM-37-DBS-W-K            |

| Size:  | P/N - Kitted: | Class 1 - 500 inserts min. |
|--------|---------------|----------------------------|
| 9-way  | 6355-8006-11  | MHDM-09-DMS-W-K            |
| 15-way | 6355-8006-12  | MHDM-15-DMS-W-K            |
| 25-way | 6355-8006-13  | MHDM-25-DMS-W-K            |
| 37-way | 6355-8006-14  | MHDM-37-DMS-W-K            |

