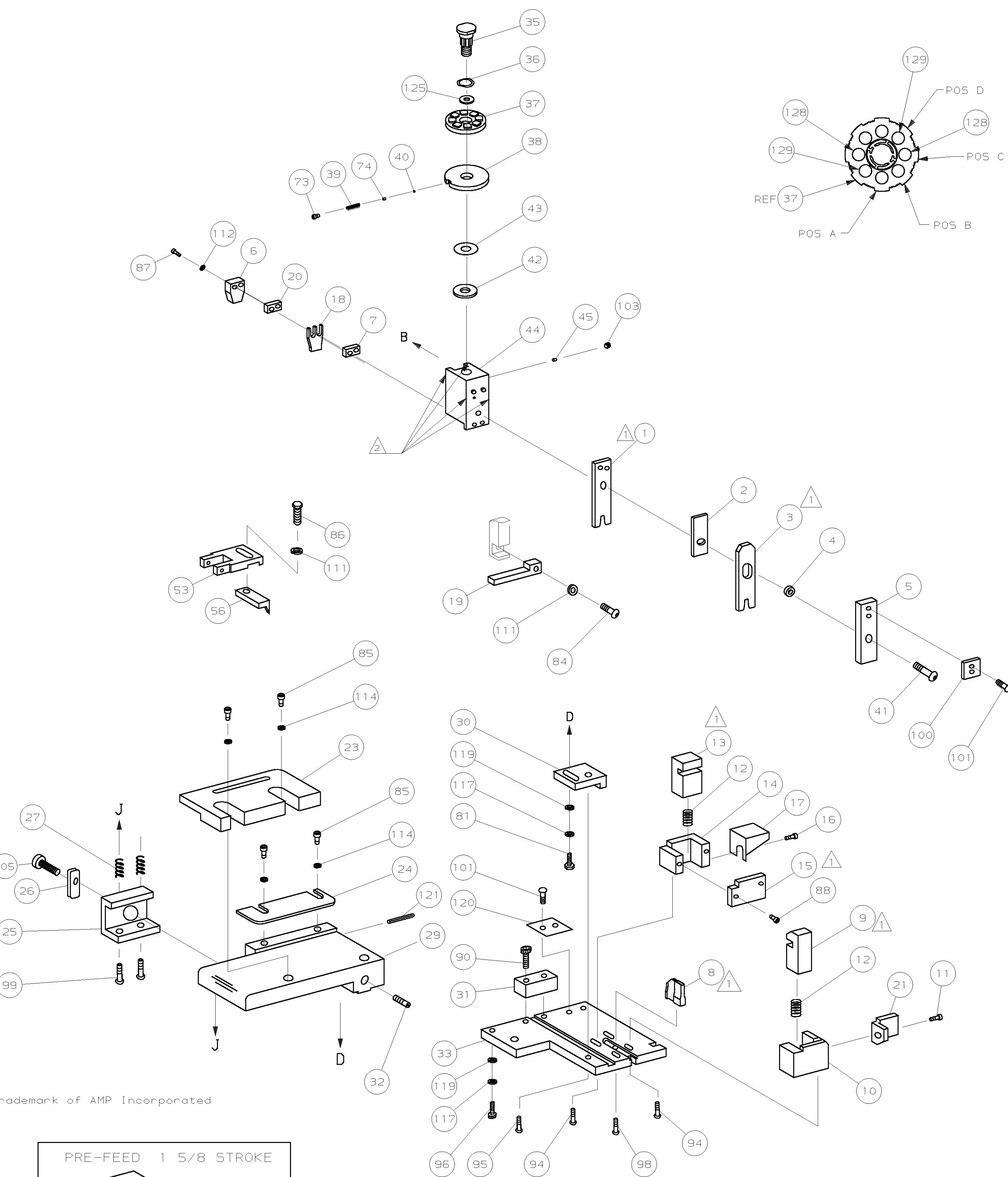


PART NUMBER	REV	FIRST USED
567963-1	B	854040-3

TERMINAL NAME: TERMINAL, FEMALE BOX		MOLEX TERMINAL		CUST CRIMP SPECS		
AMP PN	MFR PN	PAD LTR	CRIMP HEIGHT	WIRE SIZE		
286981	16-02-0088	A	.034 ±.001 [0.86 ±.025mm]	22		
	16-02-0087	B	.031 ±.001 [0.79 ±.025mm]	24		
	16-02-1124	C	NOT	USED		
	16-02-1111	D	NOT	USED		
	16-02-1110					
WIRE	CRIMP	SIZE	TYPE	RANGE		
		.055	F	22-24		
INSUL						
		.062	0	.050 MAX		
WIRE STRIP LENGTH	TERM APPL	SPEC	FEED	APPL INSTRUCTION	SET UP GAGE	LAYOUT
.125-.156	NONE		.205	SEE CUSTOMER MANUAL	NONE	L2264



QTY	REV	TERMINAL	DESCRIPTION	ITEM NO
2	-	C	7-354779-2 PIN, WIRE DISC (.3350)D	129
2	-	C	6-354779-6 PIN, WIRE DISC (.3320)C	128
				127
				126
1	-	A	986950-1 WASHER, FLAT PRECISION	125
1	-	A	217238-3 GENERAL INSTRUCTION PACKAGE	124
				123
				122
1	-	A	4-21028-0 PIN, SLT SPR (ø.093x.75) ST 60E PL	121
1	-	B	690701-2 PLATE, SERIAL NO.	120
2	-	A	21899-2 WASHER, FLAT (#10) 5 G ADJ BLK	119
				118
2	-	A	21024-5 WASHER, LOCK (#10) ADJ BLOCK	117
				116
				115
2	-	A	21024-2 WASHER, LOCK (#4) FRONT STP GUIDE	114
REF	-	A	21024-4 WASHER, LOCK (#8) FEED FINGER	113
2	-	A	21024-4 WASHER, LOCK (#8) DEP-HOLD	112
REF	-	A	21024-4 WASHER, LOCK (#8) STRIPPER	111
				110
				109
				108
				107
				106
1	-	A	22353-8 SCR, SHLD (ø.187x.25) DRAG LEVER	105
				104
1	-	A	21009-2 SCR, SKT 5ET (1/4-20x.25 LW) RAM	103
				102
4	-	A	21017-2 SCR, DRIVE (#2x.19) ID PLATE	101
1	-	B	819347-1 PLATE, IDENTIFICATION	100
2	-	A	5-21006-6 SCR, SET, 10-32 X .75	99
1	-	A	22733-8 SCR, BHC (8-32x.38 LW) ANVIL	98
				97
1	-	A	3-21000-8 SCR, SHC (10-32x.88) MOUNTING	96
1	-	A	2-21002-7 SCR, BHC (10-32x.50) 5G ADJ BLK	95
4	-	A	2-21002-2 SCR, BHC (8-32x.50) SHEAR-TERM SUP	94
				93
				92
1	-	A	1-21002-7 SCR, SHC (6-32x.50) CAM	91
2	-	A	2-21000-7 SCR, SHC (8-32x.50) SCR BLK	90
				89
2	-	A	1-21000-8 SCR, SHC (6-32x.25) REAR SHEAR PL	88
2	-	A	2-21000-9 SCR, SHC (8-32x.75) DEP-HOLD DOWN	87
REF	-	A	2-22603-0 SCR, HEX HD (8-32x.31) FEED FINGER	86
4	-	A	1-21000-3 SCR, SHC (4-40x.25) F ST GUIDE	85
REF	-	A	22733-9 SCR, BHC (8-32x.50 SL) STRIPPER	84
				83
				82
1	-	A	3-22603-1 SCR, HEX (10-32x.38) 5G ADJ BL	81
				80
				79
				78
2	-	B	463310-6 BLADE, STRIPPING (#22)	77
				76
				75
1	-	A	690603-1 SPRING, ASSIST	74
1	-	A	23030-1 SCR, SKT CAP (6-32x.25) CP DSC	73
				72
				71

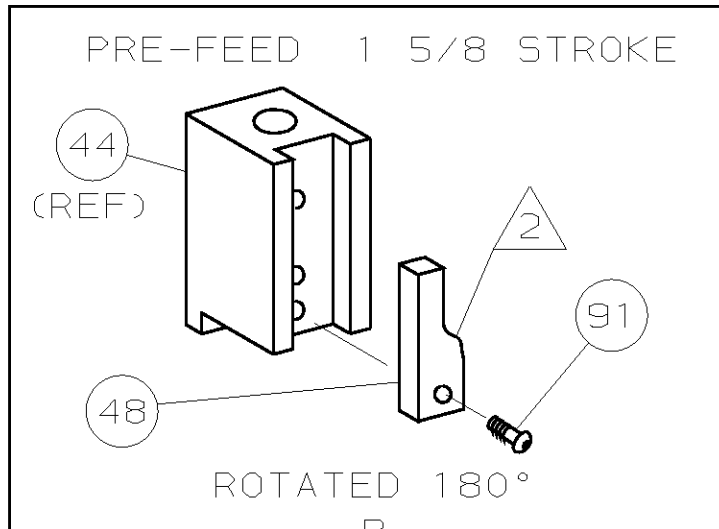
QTY	REV	U/M	DWG SIZE	PART NO	DESCRIPTION	ITEM NO
-1						

QTY RECD PER ASSY		PARTS LIST	

QTY		REV		U/M		DWG SIZE		PART NO		DESCRIPTION		ITEM NO	
1	-	B				679904-1		PAWL, FEED					56
													55
													54
													53
													52
													51
													50
													49
1	-	A				690602-6		CAM, PRE-FEED 1.62 STROKE					48
													47
													46
1	-	A				690191-1		PLUG, NYLON					45
1	-	C				455673-1		RAM					44
1	-	A				690125-1		WASHER, LAMINATED					43
1	-	A				690124-1		WASHER, RAM					42
1	-	A				7-21002-9		BOLT, CRIMPER (5/16x1.00)					41
1	-	A				23241-6		BALL, STEEL					40
1	-	A				690170-1		SPRING, COMPRESSION					39
1	-	C				690142-1		DISC, INSULATION					38
1	-	D				354777-1		WIRE DISC, PLASTIC					37
1	-	A				22480-5		WASHER, SPRING					36
1	-	B				690212-1		POST, RAM					35
													34
1	-	C				462544-1		PLATE, BASE SPECIAL					33
1	-	A				690432-3		SCREW, ADJUSTMENT					32
1	-	B				462543-1		BLOCK, SCREW SPECIAL					31
1	-	B				455689-1		BLOCK, STRIP GUIDE ADJ					30
1	-	C				1-844048-0		PLATE, STRIP GUIDE					29
													28
2	-	A				1-22284-0		SPRING, DRAG					27
1	-	B				240793-1		LEVER, DRAG RELEASE					26
1	-	B				240792-1		DRAG, TERMINAL					25
1	-	D				690438-1		GUIDE, STRIP (REAR)					24
1	-	A				1-690487-7		GUIDE, STRIP (FRONT)					23
													22
1	-	A				463756-1		GUIDE, SCRAP					21
1	-	C				3-240641-7		SPACER, HOLD DOWN					20
REF	-	C				462615-1		STRIPPER					19
1	-	B				2-690518-4		HOLDER, TERMINAL					18
1	-	A				691668-1		GUARD, CHIP (REAR)					17
1	-	A				690461-1		STOP, SHEAR (REAR)					16
1	-	B				1-690691-1		PLATE, SHEAR (REAR)					15
1	-	B				690462-1		HOLDER, SHEAR (REAR)					14
1	-	C				690463-1		SHEAR, FLOAT (REAR)					13
2	-	A				5-22280-0		SPRING, SHEAR					12
1	-	B				1-690461-6		STOP, SHEAR (FRONT)					11
1	-	B				462548-1		HOLDER, SHEAR (FRONT) SP					10
1	-	B				462547-1		SHEAR, FLOAT (FRONT) SP					9
1	-	C				2-904717-3		ANVIL					8
1	-	C				6-240641-9		SPACER, DEPRESSOR (REAR)					7
1	-	B				690468-1		DEPRESSOR, SHEAR (REAR)					6
1	-	A				426838-1		DEPRESSOR, SHEAR (FRONT) SP					5
1	-	B				2-238011-5		SPACER, BLOCK CRIMPER					4
1	-	C				4-683454-6		CRIMPER, INSULATION					3
1	-	C				455888-7		SPACER, CRIMPER					2
1	-	C				3-456402-9		CRIMPER, WIRE					1

QTY		REV		U/M		DWG SIZE		PART NO		DESCRIPTION		ITEM NO	
-1													

Trademark of AMP Incorporated



- 1 RECOMMENDED SPARE PARTS.
- 2 GREASE LIGHTLY.
- 3 ITEM NOT SHOWN

THIS DRAWING IS A CONTROLLED DOCUMENT.

THIS DRAWING IS UNRELEASED. RELEASE FOR PUBLICATION BY AMP INCORPORATED. ALL RIGHTS RESERVED. COPYRIGHT 19

LOC A  
DST 66

567963

D

C

B

A

RESTRICTED TO