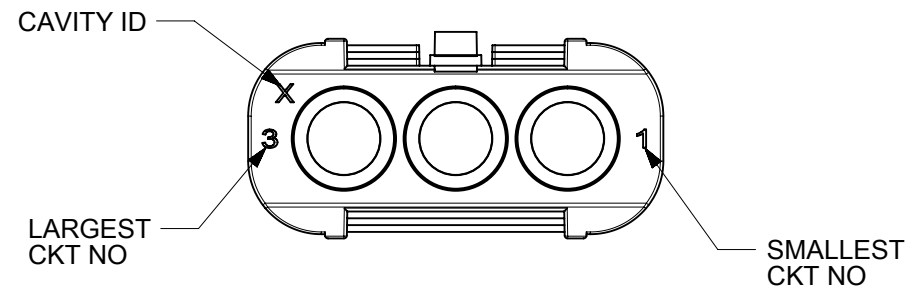
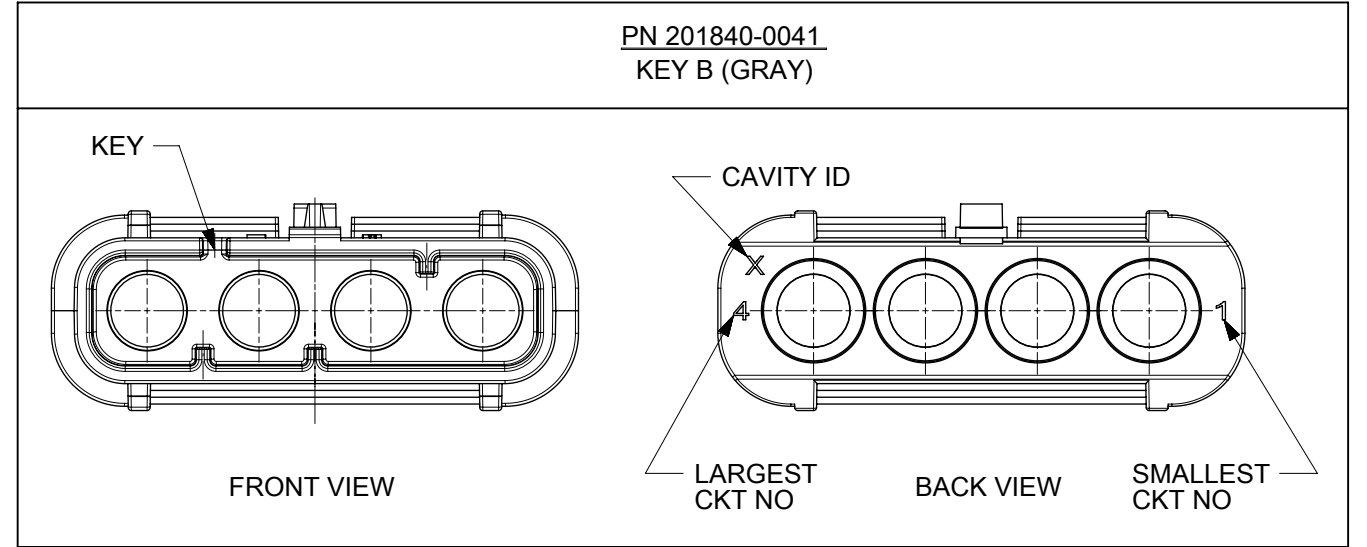
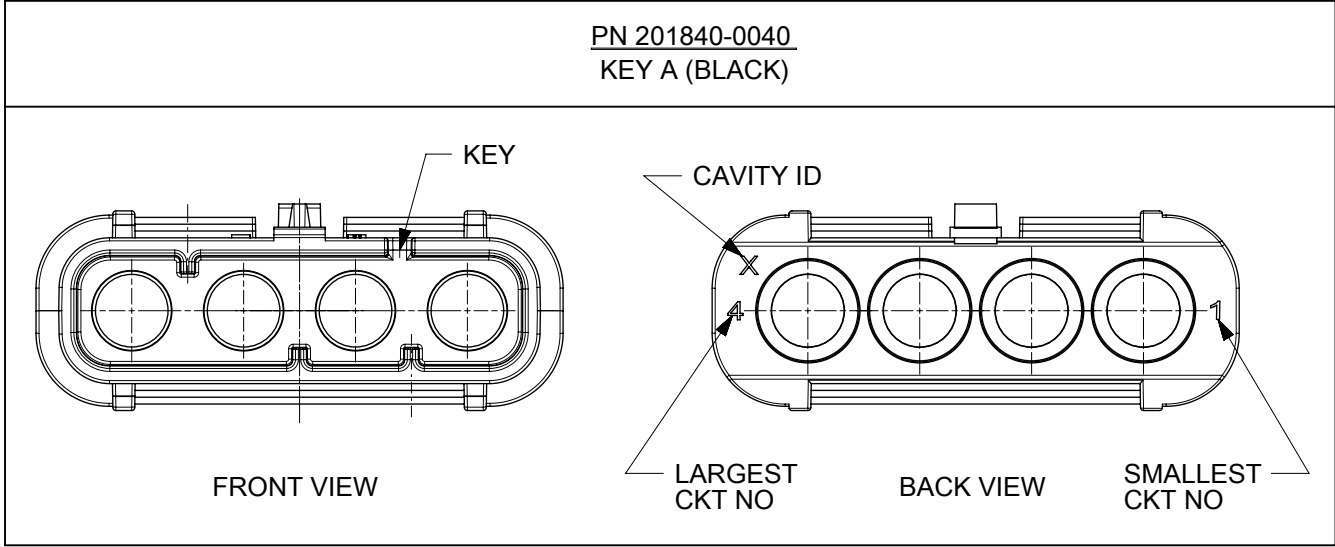
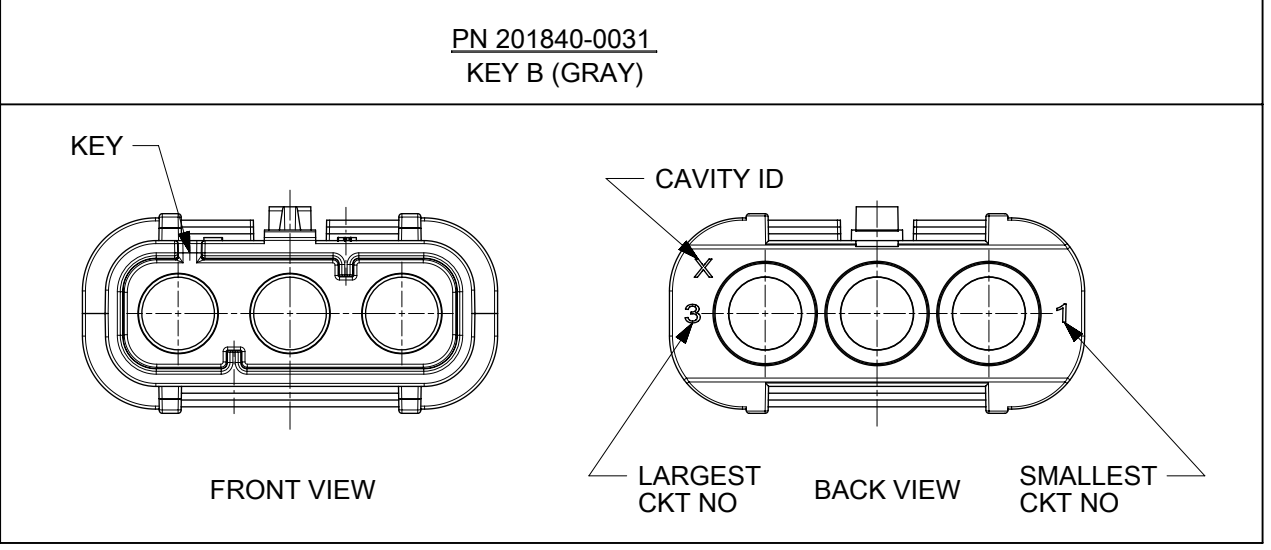
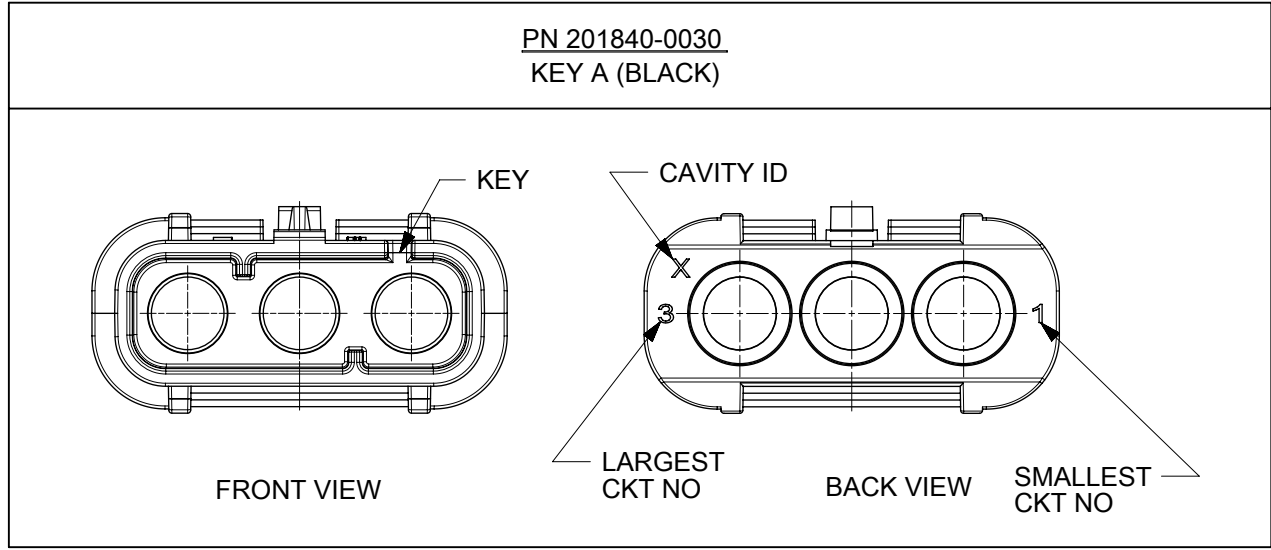


- NOTES:
- HOUSING MATERIAL:  
PEI  
UL RATED 94 V-0  
COLOR: BLACK (FOR KEY-A)  
COLOR: GRAY (FOR KEY-B)
  - USED WITH TERMINAL PART NUMBER 201845-00\*\*
  - SHALL CONFIRM TO PRODUCT SPECIFICATION 2018400000-PS
  - COMPLY WITH PACKAGING SPECIFICATION 2018400000-PK
  - COSMETIC SPECIFICATION PS-45499-002 CLASSB



THIS DRAWING CONTAINS INFORMATION THAT IS PROPRIETARY TO MOLEX ELECTRONIC TECHNOLOGIES, LLC AND SHOULD NOT BE USED WITHOUT WRITTEN PERMISSION												
DIMENSION UNITS	SCALE	CURRENT REV DESC: ADDED BACK VIEWS.										
mm	2:1	<div style="text-align: center;"><b>molex</b></div> MULTICAT IN-LINE PLUG HOUSING WTW										
GENERAL TOLERANCES (UNLESS SPECIFIED)												
ANGULAR TOL	± °	PRODUCT CUSTOMER DRAWING										
4 PLACES	±	EC NO: 613783	2019/02/13	DOCUMENT NUMBER						DOC TYPE	DOC PART	REVISION
3 PLACES	± 0.05	DRWN: MKP		2018400000-SD						PSD	000	A2
2 PLACES	± 0.1	CHK'D: NCSR	2019/03/15	INITIAL REVISION:								
1 PLACE	± 0.2	APPR: KPRASAD	2019/04/01	DRWN: RMV02	2016/12/06							
0 PLACES	±			APPR: KPRASAD	2017/01/27							
DRAFT WHERE APPLICABLE MUST REMAIN WITHIN DIMENSIONS		THIRD ANGLE PROJECTION	DRAWING	SERIES	MATERIAL NUMBER	CUSTOMER		SHEET NUMBER				
			A3-SIZE	201840	SEE SHEET 2	GENERAL MARKET		1 OF 2				



PART NUMBER	PART DESCRIPTION	A	C	D
201840-0030	MULTICAT PLUG HSG 1X3 KEY A	17.35	24.46	27.46
201840-0031	MULTICAT PLUG HSG 1X3 KEY B	17.35	24.46	27.46
201840-0040	MULTICAT PLUG HSG 1X4 KEY A	24.75	31.86	34.86
201840-0041	MULTICAT PLUG HSG 1X4 KEY B	24.75	31.86	34.86

THIS DRAWING CONTAINS INFORMATION THAT IS PROPRIETARY TO MOLEX ELECTRONIC TECHNOLOGIES, LLC AND SHOULD NOT BE USED WITHOUT WRITTEN PERMISSION		CURRENT REV DESC: ADDED BACK VIEWS.		<b>molex</b>	
DIMENSION UNITS	SCALE	EC NO: 613783			
mm	2:1	DRWN: MKP 2019/02/13		PRODUCT CUSTOMER DRAWING	
GENERAL TOLERANCES (UNLESS SPECIFIED)		CHK'D: NCSR 2019/03/15			
ANGULAR TOL	± °	APPR: KPRASAD 2019/04/01		2018400000-SD	
4 PLACES	±	INITIAL REVISION:			
3 PLACES	± 0.05	DRWN: RMV02 2016/12/06		PSD	000
2 PLACES	± 0.1	APPR: KPRASAD 2017/01/27		REVISION	
1 PLACE	± 0.2	DRAFT WHERE APPLICABLE MUST REMAIN WITHIN DIMENSIONS		A2	
0 PLACES	±	THIRD ANGLE PROJECTION	DRAWING	SERIES	MATERIAL NUMBER
			A3-SIZE	201840	CUSTOMER
				SEE TABLE	GENERAL MARKET
				SHEET NUMBER	
				2 OF 2	