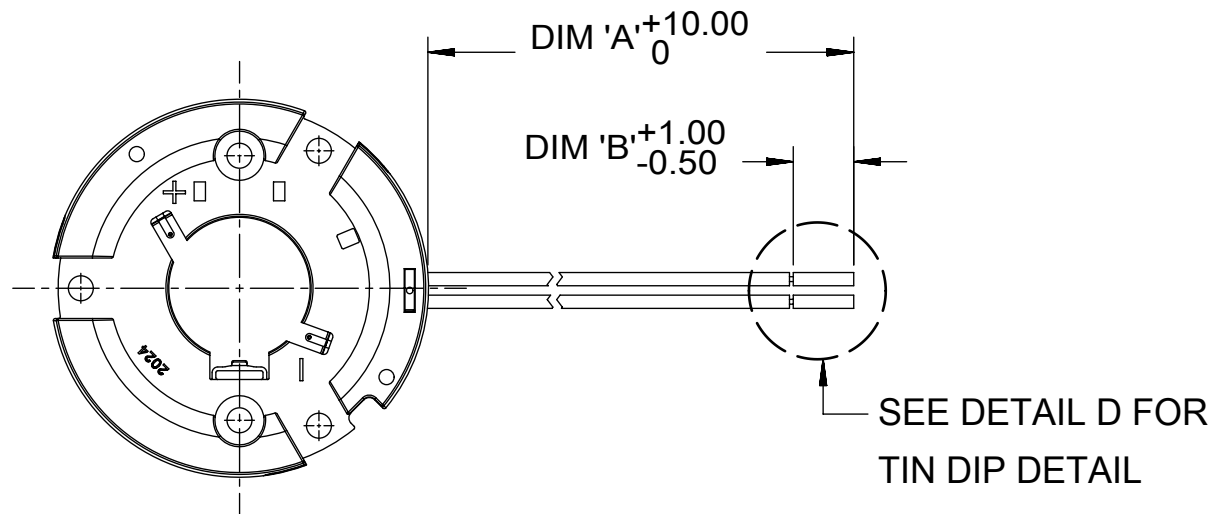


NOTES:

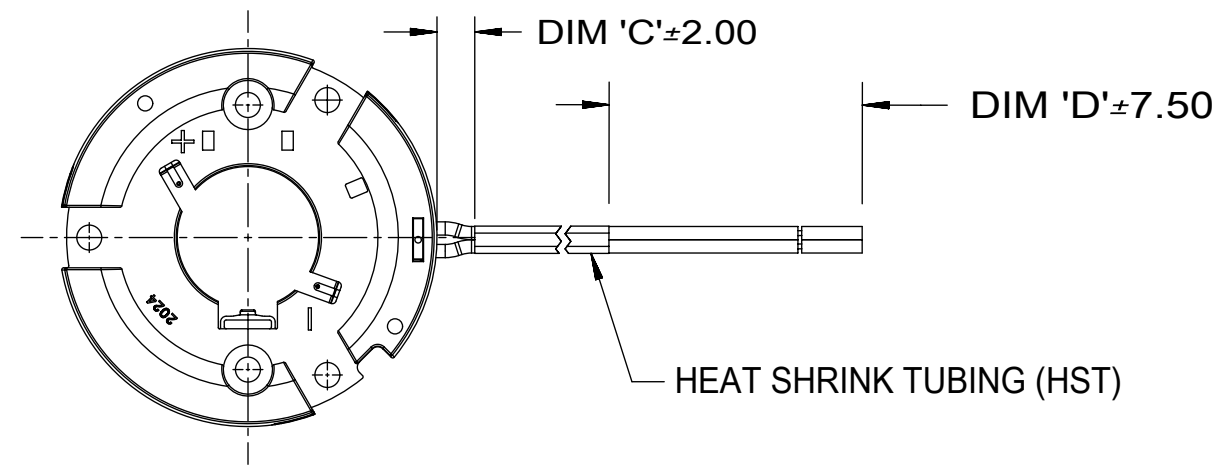
1. MATERIALS: HOUSING: POLYESTER (PBT), GLASS FILLED, UL94 V-0, COLOR: WHITE; TERMINALS: COPPER ALLOY. OPTIONAL: HEAT SHRINK TUBING
2. PLATING: TERMINAL CONTACT : SELECT GOLD (Au) OVER NICKEL (Ni).
3. WIRE SPECIFICATION: UL 3266, 125C, 300V, 20AWG
4. PRODUCT SPECIFICATION: PS-180555-002
5. PACKAGING SPECIFICATION: PK-180559-013 AND PK-180559-014.
6. APPLICATION SPECIFICATION: AS-180555-200.
7. DESIGNED TO BE USED WITH LUMILEDS COB 1204/1205/1208.
8. MOUNT HOLDER UTILIZING M3 SCREWS, TORQUE: 0.4 MINIMUM NEWTON METERS, 0.8 NEWTON METERS MAX.
9. UL 8754 RECOGNITION PENDING. FILE NUMBER: TBD
10. THIS PRODUCT IS ELV AND ROHS COMPLIANT
11. ALL DIMENSIONS IN PARENTHESIS (XX.XX) ARE FOR REFERENCE ONLY.

SYMBOLS	THIS DRAWING CONTAINS INFORMATION THAT IS PROPRIETARY TO MOLEX ELECTRONIC TECHNOLOGIES, LLC AND SHOULD NOT BE USED WITHOUT WRITTEN PERMISSION		
	DIMENSION UNITS	SCALE	CURRENT REV DESC: OBSOLETE PART NO.
▽ = 0	mm	1:1	EC NO: 632260 DRWN: RPRABHUM 2020/01/30 CHK'D: GGA 2020/02/28 APPR: GGA 2020/02/28
▽ = 0	GENERAL TOLERANCES (UNLESS SPECIFIED)		
▽ = 0			INITIAL REVISION: DRWN: MDEVITO 2015/06/11 APPR:
▽ = 0	4 PLACES ±	±	
▽ = 0	3 PLACES ±	±	DOCUMENT NUMBER: SD-180555-141 DOC TYPE: PSD DOC PART: 000 REVISION: A6
▽ = 0	2 PLACES ±	0.25 ±	
▽ = 0	1 PLACE ±	0.13 ±	MATERIAL NUMBER: SEE CHART CUSTOMER: GENERAL MARKET SHEET NUMBER: 1 OF 3
▽ = 0	0 PLACES ±	±	
▽ = 0	ANGULAR TOL	± 0.5°	
▽ = 0	DRAFT WHERE APPLICABLE MUST REMAIN WITHIN DIMENSIONS	THIRD ANGLE PROJECTION	DRAWING: B-SIZE SERIES: 180555

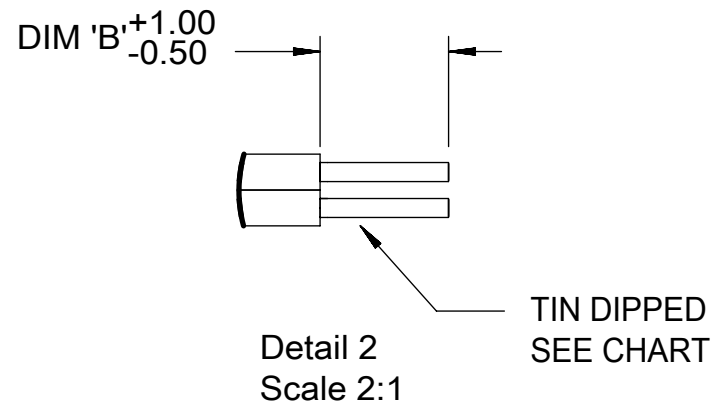
MOLEX PART NUMBER	DESCRIPTION	WIRE LENGTH	WIRE TYPE	FINISH	HEAT SHRINK TUBING	DIM. 'A'	DIM. 'B'	DIM. 'C'	DIM. 'D'
180555-1041	COB HOLDER W/O TUBING	600	STRANDED	TIN DIPPED	NO	600	8.5	X	X
180555-1043	COB HOLDER WITH HST	600	STRANDED	TIN DIPPED	YES (BLK)	600	8.5	5	22.5
180555-1048	COB HOLDER WITH HST	600	STRANDED	TIN DIPPED	YES (WHT)	600	8.5	5	22.5



COB HOLDER WITHOUT HEAT SHRINK TUBING

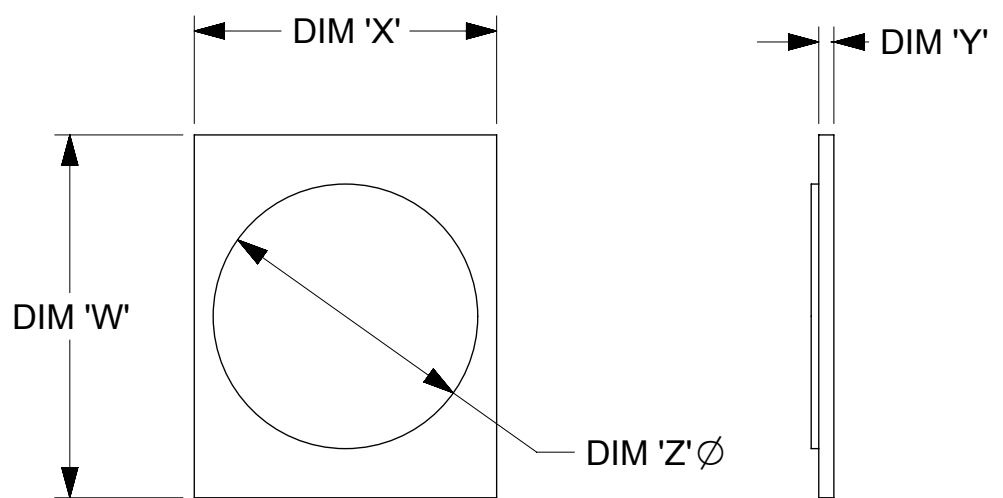


COB HOLDER WITH HEAT SHRINK TUBING



SYMBOLS	THIS DRAWING CONTAINS INFORMATION THAT IS PROPRIETARY TO MOLEX ELECTRONIC TECHNOLOGIES, LLC AND SHOULD NOT BE USED WITHOUT WRITTEN PERMISSION		CURRENT REV DESC: OBSOLETE PART NO.		
	DIMENSION UNITS	SCALE			
▽ = 0	mm	1:1			EC NO: 632260
▽ = 0	GENERAL TOLERANCES (UNLESS SPECIFIED)				DRWN: RPRABHUM 2020/01/30
▽ = 0		MM	INCH		CHK'D: GGA 2020/02/28
▽ = 0	4 PLACES ±				APPR: GGA 2020/02/28
▽ = 0	3 PLACES ±				INITIAL REVISION:
▽ = 0	2 PLACES ± 0.25				DRWN: MDEVITO 2015/06/11
▽ = 0	1 PLACE ± 0.13				APPR:
▽ = 0	0 PLACES ±				
▽ = 0	ANGULAR TOL ± 0.5°				
▽ = 0	DRAFT WHERE APPLICABLE MUST REMAIN WITHIN DIMENSIONS	THIRD ANGLE PROJECTION	DRAWING	SERIES	MATERIAL NUMBER
▽ = 0			B-SIZE	180555	SEE CHART
				CUSTOMER	SHEET NUMBER
				GENERAL MARKET	2 OF 3

COB MFG	TYPE	DIM 'W'	DIM 'X'	DIM 'Y'	DIM 'Z'
LUMILEDS	LUXEON 1204/1205	24.0	20.0	1.0	15.5
LUMILEDS	LUXEON 1208	24.0	20.0	1.0	17.5
EVERLIGHT	EAHP2024W**	24.0	20.0	1.0	17.5



COB LED

SYMBOLS	THIS DRAWING CONTAINS INFORMATION THAT IS PROPRIETARY TO MOLEX ELECTRONIC TECHNOLOGIES, LLC AND SHOULD NOT BE USED WITHOUT WRITTEN PERMISSION										
	DIMENSION UNITS		SCALE		CURRENT REV DESC: OBSOLETE PART NO.						
▽ = 0	mm		1:1		EC NO: 632260 DRWN: RPRABHUM 2020/01/30 CHK'D: GGA 2020/02/28 APPR: GGA 2020/02/28						
▽ = 0	GENERAL TOLERANCES (UNLESS SPECIFIED)										
▽ = 0			MM	INCH	PRODUCT CUSTOMER DRAWING DOCUMENT NUMBER: SD-180555-141 DOC TYPE: PSD DOC PART: 000 REVISION: A6						
▽ = 0	4 PLACES	±									
▽ = 0	3 PLACES	±			INITIAL REVISION: DRWN: MDEVITO 2015/06/11 APPR:						
▽ = 0	2 PLACES	±	0.25								
▽ = 0	1 PLACE	±	0.13		MATERIAL NUMBER: SEE CHART CUSTOMER: GENERAL MARKET SHEET NUMBER: 3 OF 3						
▽ = 0	0 PLACES	±									
▽ = 0	ANGULAR TOL ± 0.5°				THIRD ANGLE PROJECTION		DRAWING	SERIES			
▽ = 0	DRAFT WHERE APPLICABLE MUST REMAIN WITHIN DIMENSIONS						B-SIZE	180555			