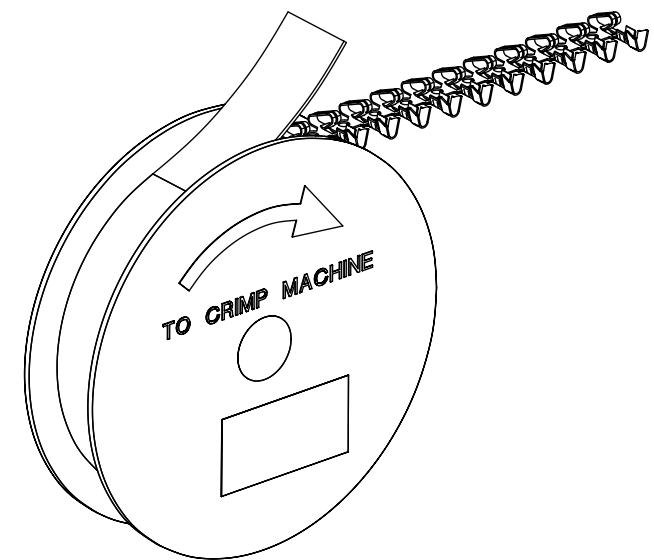
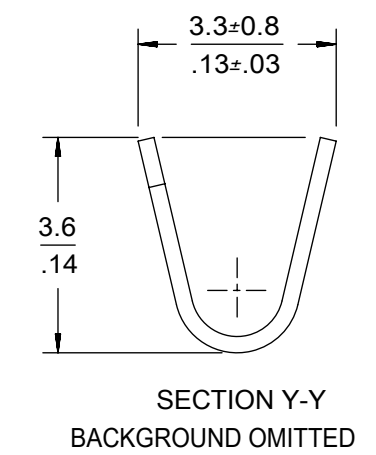
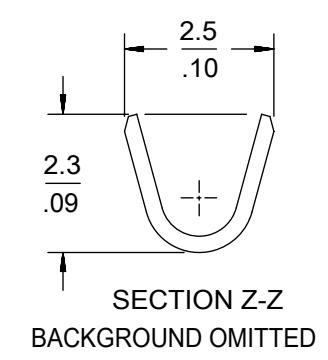
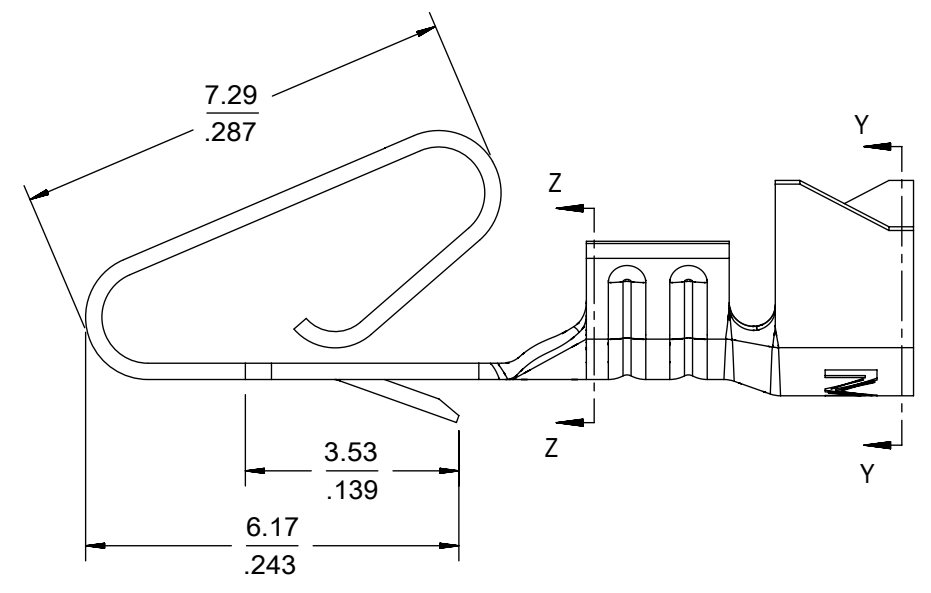
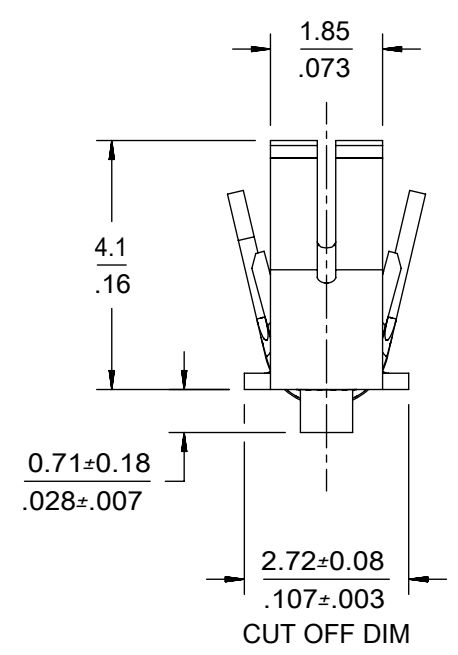
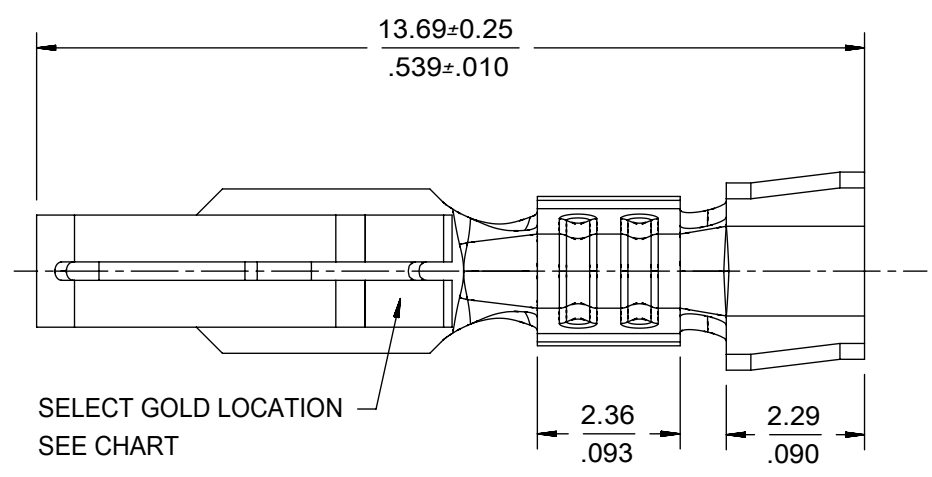


NOTES:

1. MATERIAL: PHOS BRONZE OR BRASS, SEE CHART
2. FINISH-1: PREPLATED OVERALL TIN: 0.00254/.000100 MIN
FINISH-2: SELECT GOLD: 0.00038/.000015 MIN OVER
0.00127/.000050 MIN NICKEL OVERALL
3. PRODUCT SPECIFICATION: PS-172160-0001
4. PACKAGING SPECIFICATION: PK-2759-002
5. COSMETIC SPECIFICATION: PS-45499-0002 CLASS B
6. TERMINAL ACCEPTS 18-20 AWG WIRE WITH 2.79/.110 MAX INSULATION DIA.
7. TERMINAL FOR USE WITH HOUSING 172159
8. TEXT ON PART IS FOR REFERENCE ONLY. TEXT AND TEXT LOCATION MAY VARY DEPENDING ON PART NUMBER AND/OR TOOL



MATERIAL NO	WIRE SIZE	MATERIAL	FINISH
172160-1802	18-20 AWG	PHOS BRONZE	SELECT GOLD
172160-1803	18-20 AWG	PHOS BRONZE	TIN
172160-1805	18-20 AWG	BRASS	SELECT GOLD
172160-1806	18-20 AWG	BRASS	TIN

SYMBOLS	THIS DRAWING CONTAINS INFORMATION THAT IS PROPRIETARY TO MOLEX ELECTRONIC TECHNOLOGIES, LLC AND SHOULD NOT BE USED WITHOUT WRITTEN PERMISSION		CURRENT REV DESC: NOTE 4 UPDATED							
	DIMENSION UNITS	SCALE								
▽ = 0	MM/IN	1:1	EC NO: 605479 DRWN: SS06 2018/09/11 CHK'D: ISHWARG 2018/10/05 APPR: ISHWARG 2018/10/05 INITIAL REVISION: DRWN: KSAMIEC 2013/08/23 APPR: JCOMERCI 2013/08/23		DOCUMENT NUMBER		DOC TYPE	DOC PART	REVISION	
▽ = 0	GENERAL TOLERANCES (UNLESS SPECIFIED)				SD-172160-0000		PSD	001	D2	
▽ = 0					PRODUCT CUSTOMER DRAWING					
▽ = 0	4 PLACES ±	±			MATERIAL NUMBER		CUSTOMER		SHEET NUMBER	
▽ = 0	3 PLACES ±	± 0.01			SEE CHART		GENERAL MARKET		1 OF 1	
▽ = 0	2 PLACES ±	± 0.25 ± 0.015	THIRD ANGLE PROJECTION		DRAWING		SERIES			
▽ = 0	1 PLACE ±	± 0.38 ±	B-SIZE		172160					
▽ = 0	0 PLACES ±	±								
▽ = 0	ANGULAR TOL	± 0.5°								
▽ = 0	DRAFT WHERE APPLICABLE MUST REMAIN WITHIN DIMENSIONS									