

Sensor/actuator cable - SAC-3P-M5MS/0,2-PUR/M5FS - 1402494


Please be informed that the data shown in this PDF Document is generated from our Online Catalog. Please find the complete data in the user's documentation. Our General Terms of Use for Downloads are valid (<http://phoenixcontact.com/download>)



Sensor/actuator cable, 3-position, PUR, black RAL 9005, Plug straight M5, A-coded, on Socket straight M5, A-coded, cable length: 0.2 m

RoHS

Key Commercial Data

| | |
|------------------------|---|
| Packing unit | 1 pc |
| Minimum order quantity | 50 pc |
| GTIN |  4 046356 620321 |
| GTIN | 4046356620321 |

Technical data

Dimensions

| | |
|-----------------|-------|
| Length of cable | 0.2 m |
|-----------------|-------|

Ambient conditions

| | |
|---------------------------------|----------------------------------|
| Ambient temperature (operation) | -25 °C ... 80 °C (Plug / socket) |
| Degree of protection | IP65/IP67 |

General

| | |
|-----------------------------|--------------------|
| Rated current at 40°C | 1 A |
| Rated voltage | 48 V AC 60 V DC |
| Number of positions | 3 |
| Insulation resistance | ≥ 10 GΩ |
| Coding | A - standard |
| Status display | No |
| Overvoltage category | II |
| Degree of pollution | 3 |
| Insertion/withdrawal cycles | ≥ 100 |

Sensor/actuator cable - SAC-3P-M5MS/0,2-PUR/M5FS - 1402494

Technical data

Material

| | |
|--------------------------|---------------------|
| Contact material | CuZn |
| Contact surface material | Au |
| Contact carrier material | PUR |
| Material of grip body | PUR |
| Material, knurls | Nickel-plated brass |

Cable

| | |
|---|--|
| Cable type | PUR/PVC black |
| Conductor cross section | 3x 0.14 mm ² (Signal line) |
| AWG signal line | 26 |
| Conductor structure signal line | 18x 0.10 mm |
| Core diameter including insulation | 1.1 mm |
| Wire colors | brown, blue, black |
| Overall twist | 3 wires, twisted |
| External sheath, color | black RAL 9005 |
| External cable diameter D | 3 mm ±0.2 mm |
| Smallest bending radius, fixed installation | 8 mm |
| Smallest bending radius, movable installation | 15 mm |
| Cable weight | 12.9 kg/km |
| Outer sheath, material | PUR |
| Material conductor insulation | PVC |
| Conductor material | Bare Cu litz wires |
| Insulation resistance | 100 MΩ*km |
| Conductor resistance | 148 Ω/km |
| Nominal voltage, cable | 250 V |
| Test voltage, cable | 800 V _{rms} |
| Ambient temperature (operation) | -15 °C ... 80 °C (cable, fixed installation) |
| | -5 °C ... 80 °C (cable, flexible installation) |

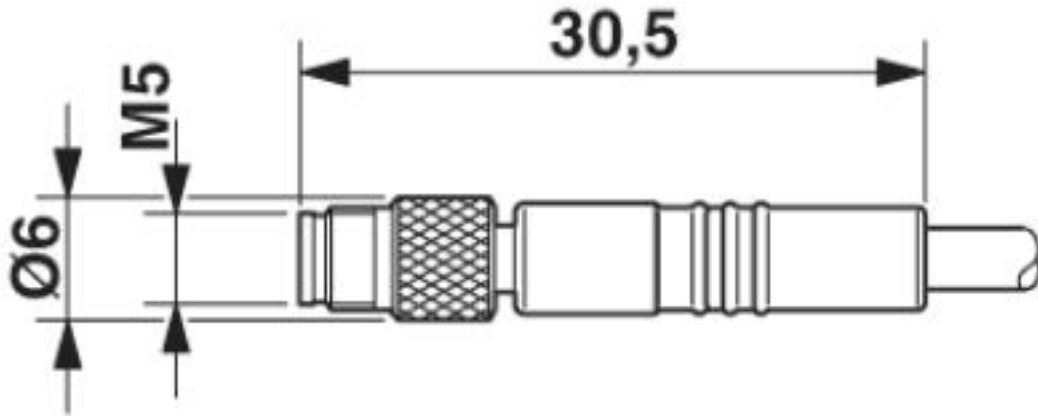
Environmental Product Compliance

| | |
|------------|---|
| China RoHS | Environmentally Friendly Use Period = 50 |
| | For details about hazardous substances go to tab "Downloads", Category "Manufacturer's declaration" |

Drawings

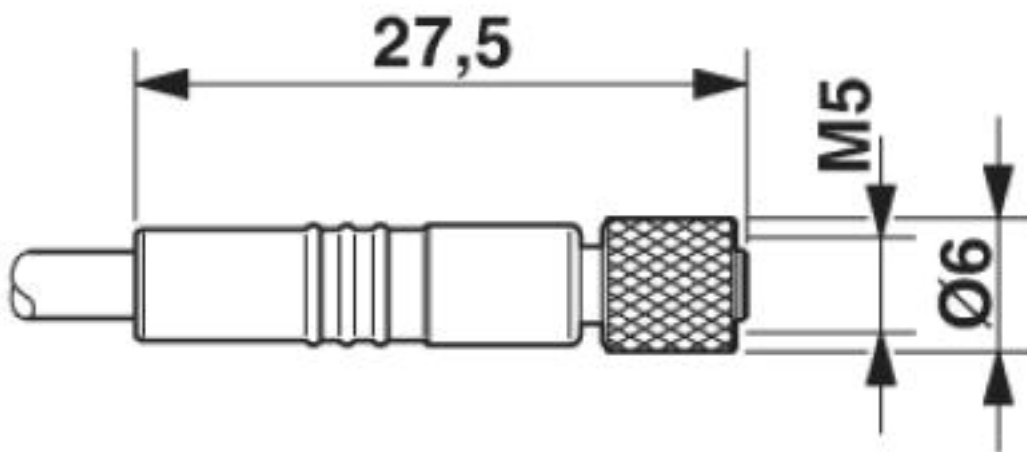
Sensor/actuator cable - SAC-3P-M5MS/0,2-PUR/M5FS - 1402494

Dimensional drawing



Plug M5 x 0.5, straight

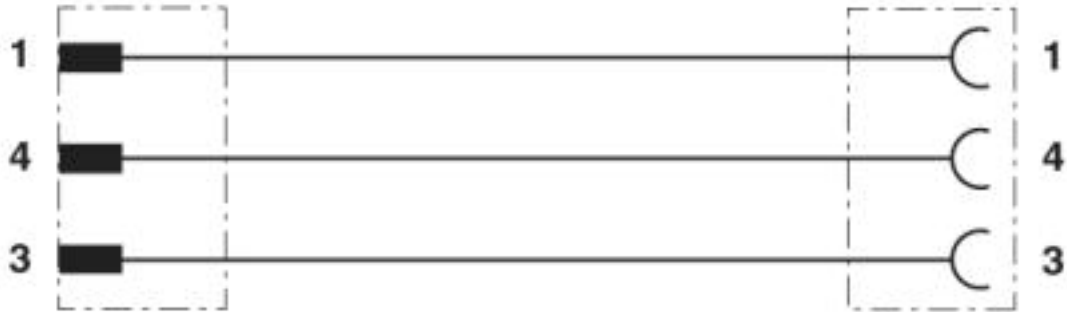
Dimensional drawing



Socket M5 x 0.5, straight

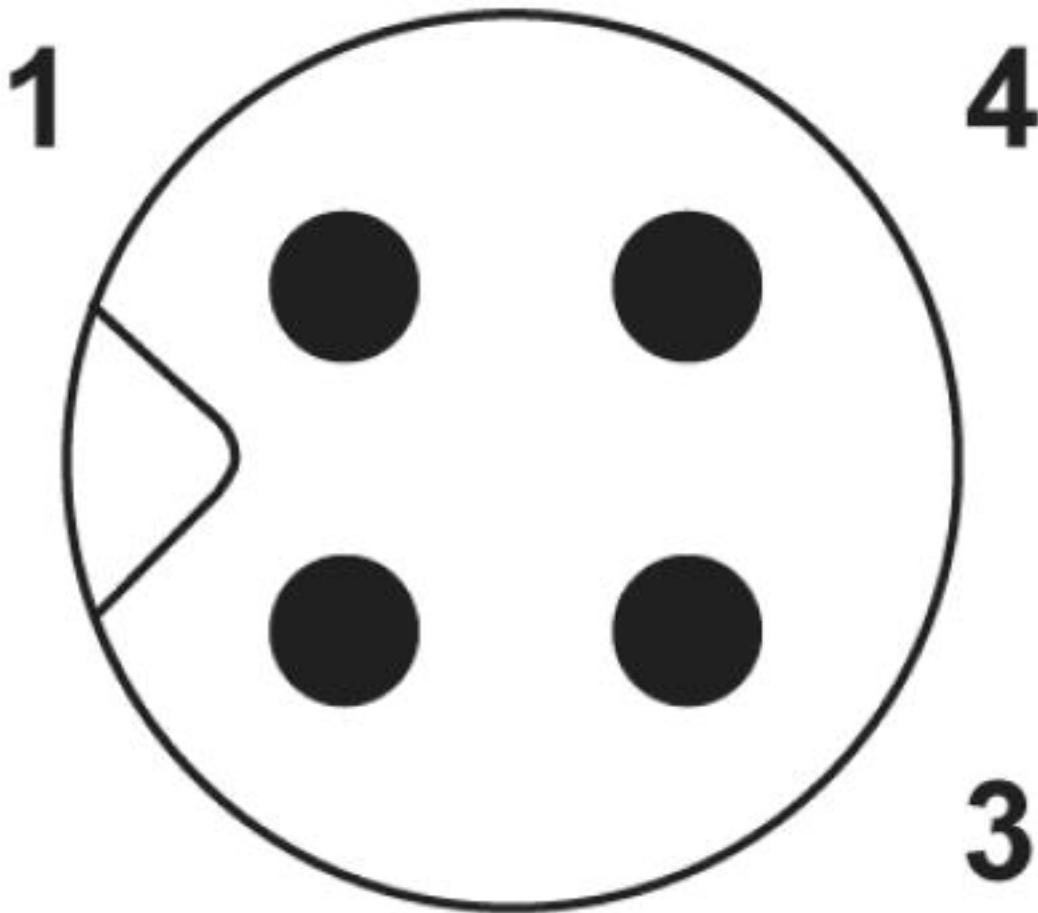
Sensor/actuator cable - SAC-3P-M5MS/0,2-PUR/M5FS - 1402494

Circuit diagram



Contact assignment of the M5 male/female connectors

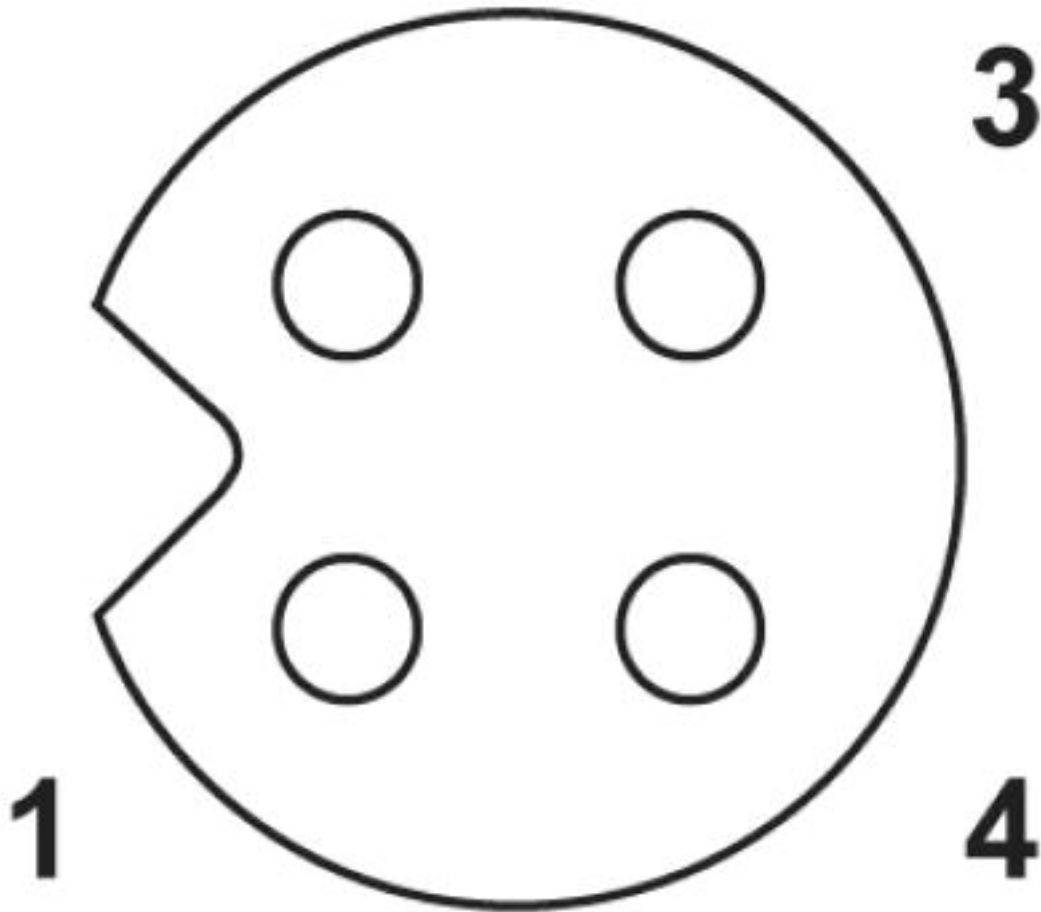
Schematic diagram



Plug M5, 3-pos.

Sensor/actuator cable - SAC-3P-M5MS/0,2-PUR/M5FS - 1402494

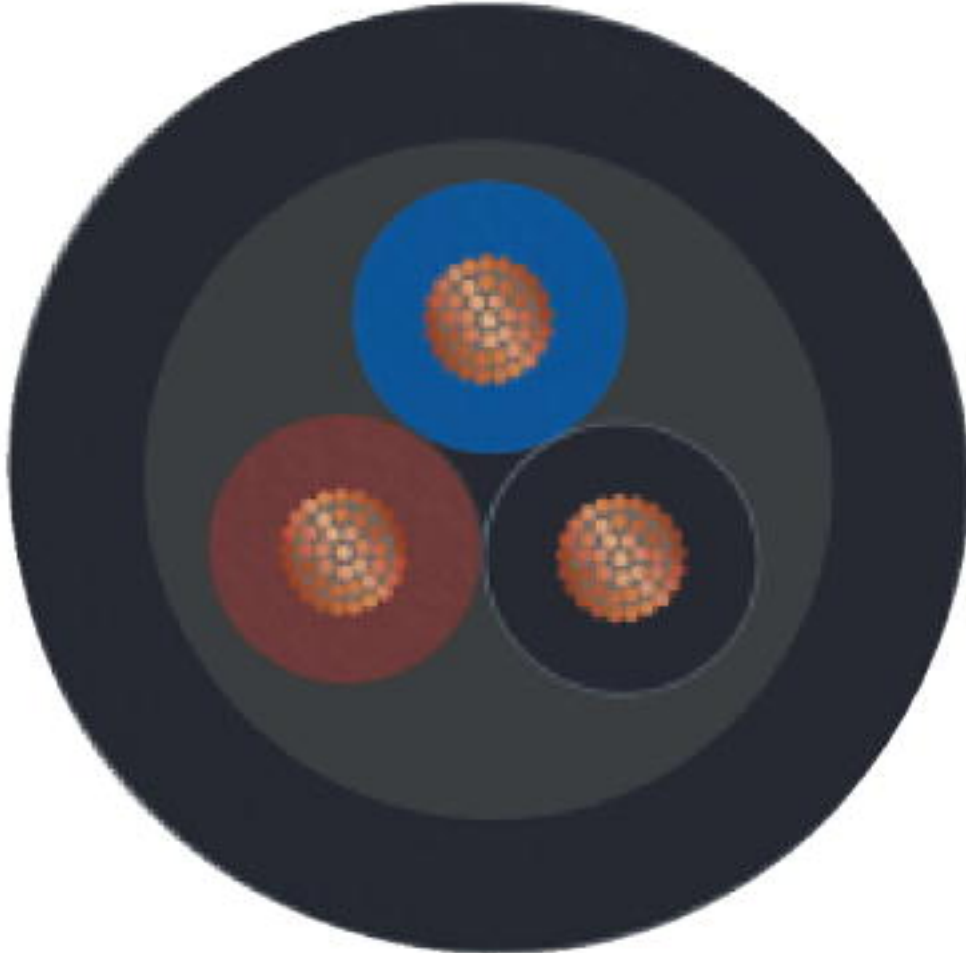
Schematic diagram



Socket M5, 3-pos.

Sensor/actuator cable - SAC-3P-M5MS/0,2-PUR/M5FS - 1402494

Cable cross section



PUR/PVC black [350]

Phoenix Contact 2019 © - all rights reserved
<http://www.phoenixcontact.com>

PHOENIX CONTACT GmbH & Co. KG
Flachsmarktstr. 8
32825 Blomberg
Germany
Tel. +49 5235 300
Fax +49 5235 3 41200
<http://www.phoenixcontact.com>