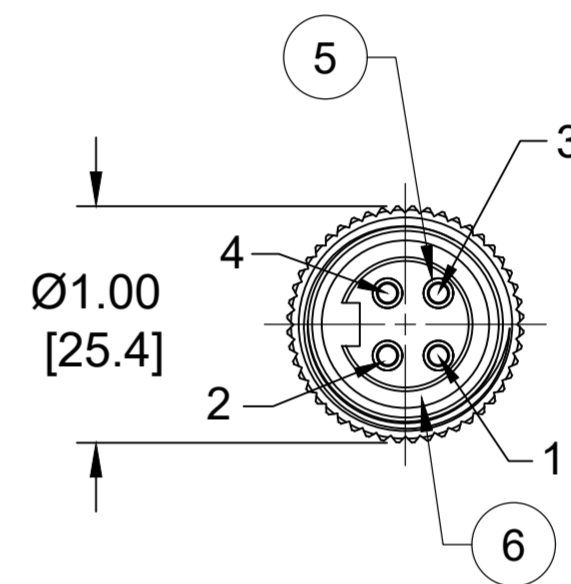
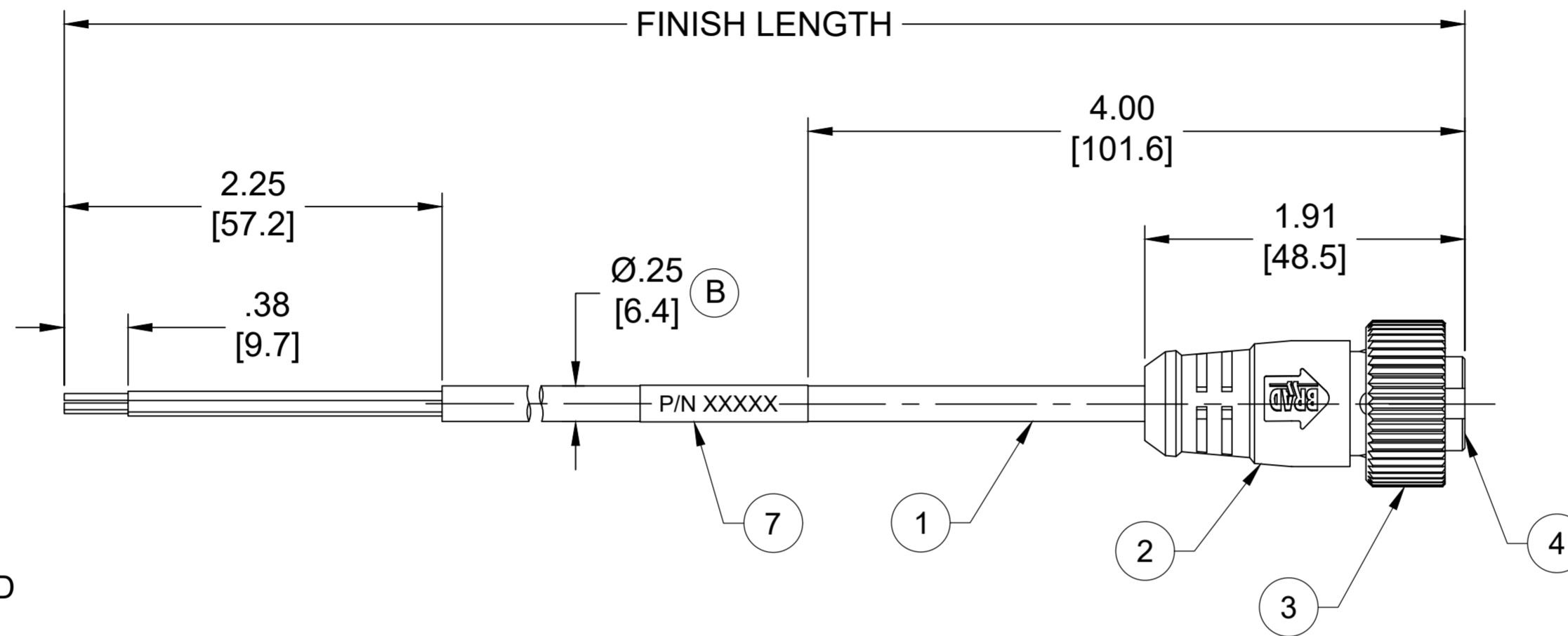
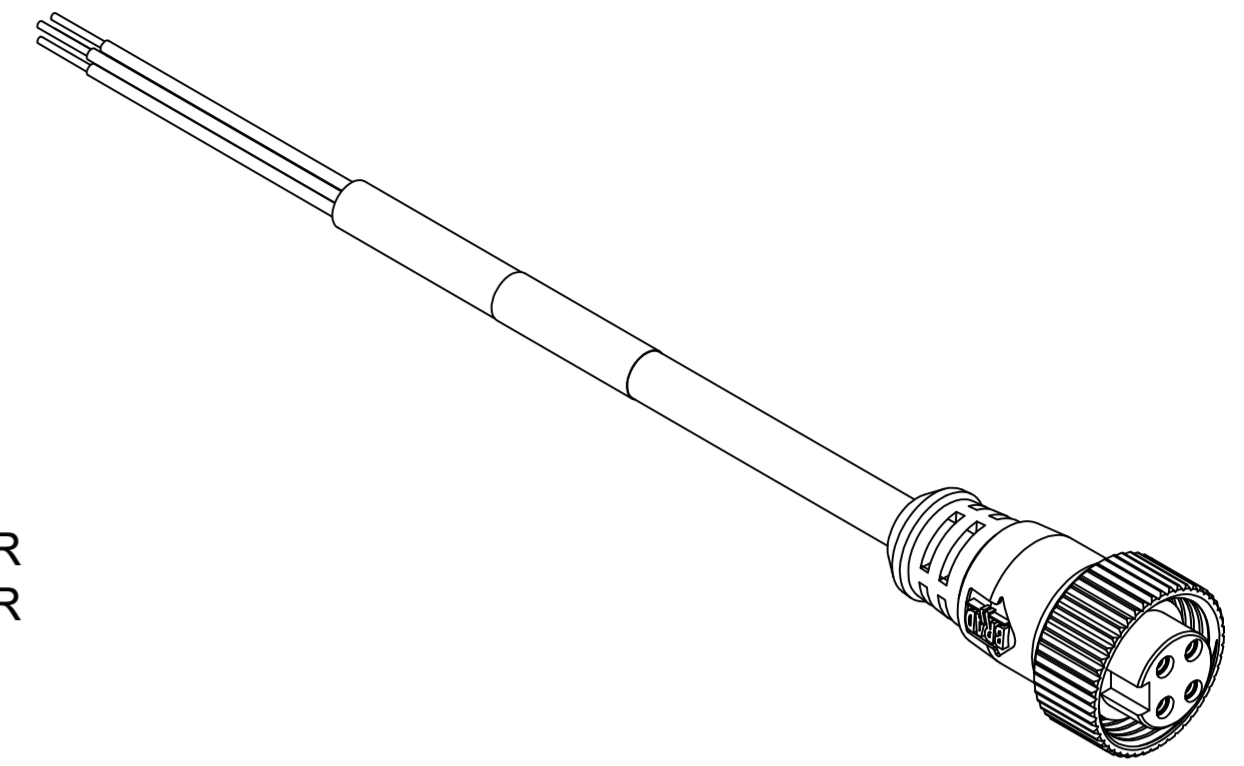


| PART NO. | ENGINEERING NO. | FINISHED LENGTH |
|------------|-----------------|-----------------|
| 1300060833 | 104000A05M020 | 2M [6FT 7 IN] |
| 1300060850 | 104000A05M150 | 15M [49FT 3 IN] |
| 1300062428 | 104000A05M300 | 30M [98FT 5 IN] |

PART NUMBER LEGEND

104000A05M020

CABLE LENGTH
M050 = 5 METER
M100 = 10 METER
M500 = 50 METER



FEMALE FACE VIEW

NOTES:

- MATERIAL: AS NOTED
- FINISH: AS NOTED
- ELECTRICAL:
VOLTAGE : 300V
CURRENT: 5.6A
- TEMP RATING: -20° TO +105°C
- PROTECTION: IP67 (WHEN MATED)
- COUPLING THREAD: 7/8"-16UN
- UL RECOGNIZED FILE: E152210 (B)
CSA CERTIFIED FILE: LR6837
- ALL DIMENSIONS ARE FOR REFERENCE UNLESS TOLERANCED OR NOTED OTHERWISE

S1

| | | |
|-------|---|-----|
| BLACK | 4 | (1) |
| BLUE | 3 | (2) |
| BROWN | 1 | (3) |
| WHITE | 2 | (4) |

CENELEC (SAE)

WIRING DIAGRAM (B)

(B) CABLE LENGTH TOLERANCES

| | |
|--------------------------|-------------------------|
| <.3M [1FT]: | +19mm-0 [+.75in-0] |
| .3 - .9M [1 - 3FT]: | +44.5mm-0 [+1.75in-0] |
| .9 - 1.8M [3 - 6FT]: | +55.6mm-0 [+2.19in-0] |
| 1.8 - 3.7M [6 - 12FT]: | +88.9mm-0 [+3.50in-0] |
| 3.7 - 7.3M [12 - 24FT]: | +165.1mm-0 [+6.50in-0] |
| 7.3-14.6M [24 - 48FT]: | +317.5mm-0 [+12.50in-0] |
| 14.6 - 30.5M [48-100FT]: | +622.3mm-0 [+24.50in-0] |
| OVER 30M [100FT] | +2% OF FINISHED LENGTH |

| ITEM | COMPONENT | MATERIAL | FINISH |
|------|----------------|---------------|------------------|
| 7 | WRAP LABEL | VINYL | BLACK/YELLOW |
| 6 | FRICION RING | NYLON | WHITE |
| 5 | CONTACT SOCKET | COPPER ALLOY | GOLD OVER NICKEL |
| 4 | INSERT | TPE | YELLOW |
| 3 | COUPLING NUT | ZINC DIE CAST | BLACK-E-COAT |
| 2 | OVERMOLD | TPE | YELLOW |
| 1 | CABLE, 18 AWG | PVC | YELLOW |

| | | | |
|--|---|---------------------------|---|
| FUNCTIONAL SYMBOLS | THIS DRAWING CONTAINS INFORMATION THAT IS PROPRIETARY TO MOLEX ELECTRONIC TECHNOLOGIES, LLC AND SHOULD NOT BE USED WITHOUT WRITTEN PERMISSION | | |
| | DIMENSION UNITS | SCALE | CURRENT REV DESC: ITEM# 2 & 4 WERE PVC. ITEM-6 WAS PLASTIC FILM. ADDED UL, FRICTION RING, PN LEGEND, CABLE DIA & TOL CHART. MODIFIED PIN DRAWING & PN CHART |
| DIVISIONAL SYMBOLS | INCH/MM | NTS | EC NO: 698916 |
| | GENERAL TOLERANCES (UNLESS SPECIFIED) | | DRWN: ABENJAMINLW 2021/05/13 |
| DIVISIONAL SYMBOLS | 4 PLACES | ±---- | CHK'D: RSTONE 2022/03/09 |
| | 3 PLACES | ±---- | APPR: BWOODMAN 2022/03/11 |
| | 2 PLACES | ±---- | INITIAL REVISION: |
| | 1 PLACE | ±---- | DRWN: TWOLDEGE 2009/07/22 |
| 0 PLACES | ±---- | APPR: JFMURPHY 2009/08/10 | |
| ANGULAR TOL ± ---- ° | | THIRD ANGLE PROJECTION | DRAWING SERIES |
| DRAFT WHERE APPLICABLE MUST REMAIN WITHIN DIMENSIONS | | C-SIZE | 130006 |
| DOCUMENT STATUS | | P1 | RELEASE DATE 2022/03/11 14:29:38 |
| DOCUMENT NUMBER | | SD-130006-012 | DOC TYPE/DOC PART REVISION PSD 001 B |
| MATERIAL NUMBER | | SEE CHART | CUSTOMER GENERAL MARKET |
| SHEET NUMBER | | 1 OF 1 | |