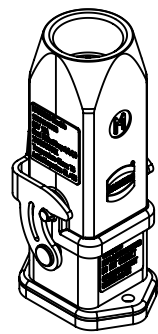
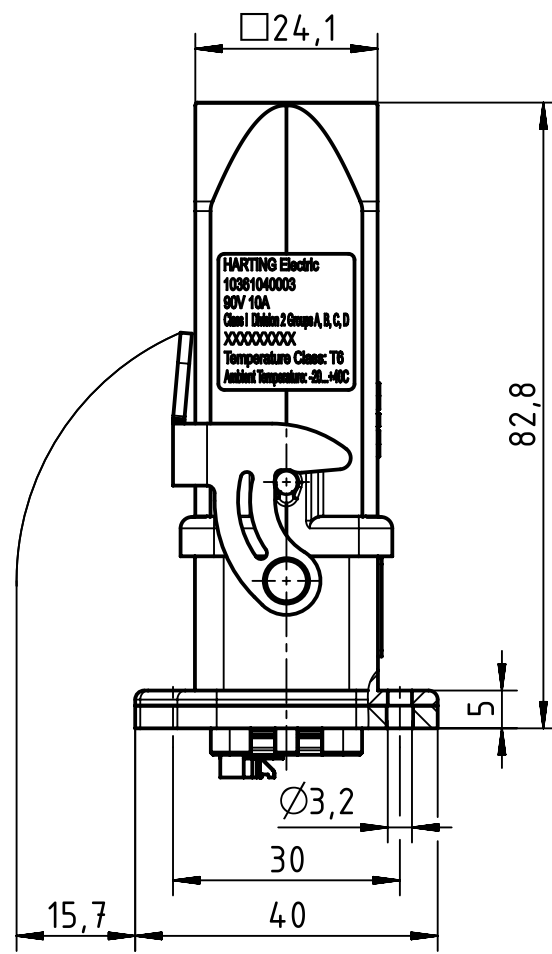
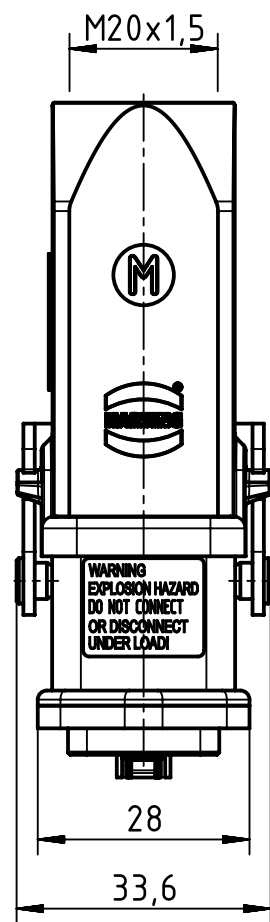
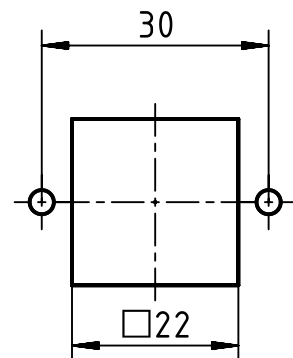


panel cut out



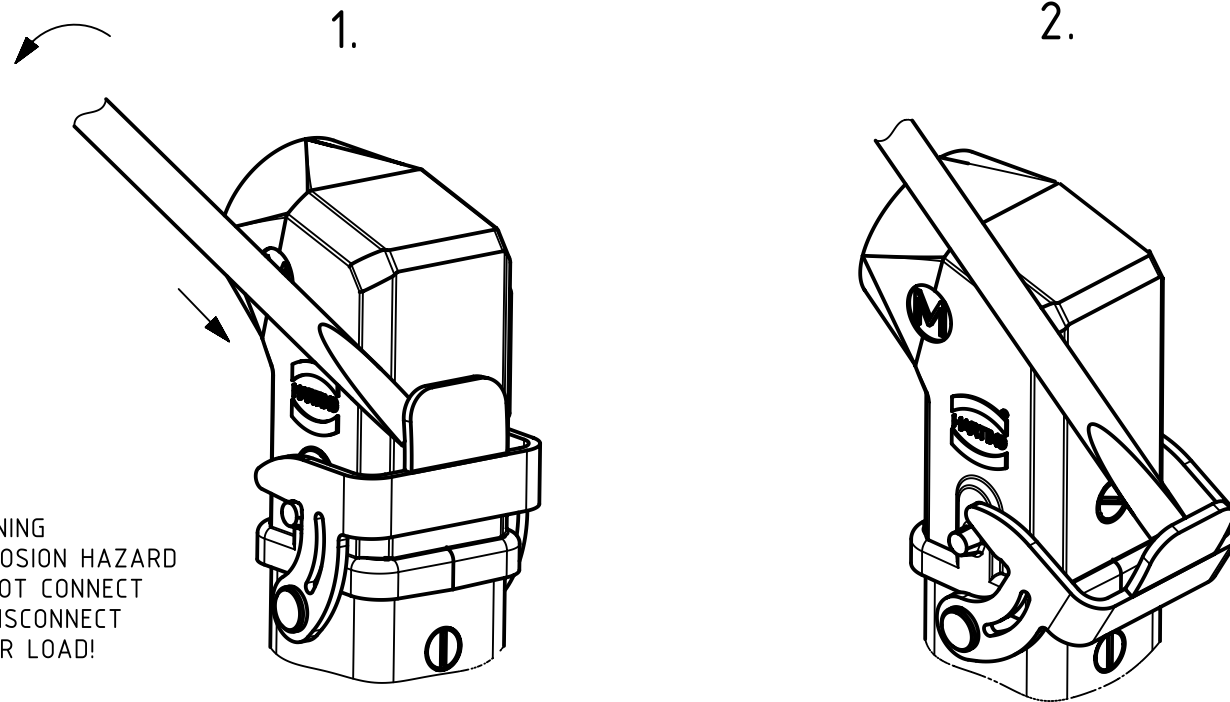
	All Dimensions in mm Original Size DIN A4		Scale 1:1	Free size tol.		Ref.
			Created by RULLKOETTER	Inspected by RIEPE	Standardisation TIEMANNA	Sub.
All rights reserved Department EL PD - DE		Date 2017-01-12		State Final Release		
HARTING Electric GmbH & Co. KG D-32339 Espelkamp		Title Han Ex UL 4A-QL Set				Doc-Key / ECM-Nr. 100670058/UGD/002/C 500000113683
		Type TB		Number 10 36 104 0003		Rev. C
						Page 1/2

1 2 3 4 5 6

FOR USE WITH AWG: 14

FOR USE WITH CABLE TYPE:  
PLTC, PLTC-ER, ITC, ITC-ER, MC, MV AND TC

FOR USE IN CLASS I, DIVISION 2 GROUPS A, B, C, AND D  
HAZARDOUS LOCATIONS OR UNCLASSIFIED LOCATIONS



THE INSTALLATION MUST BE IN ACCORDANCE WITH THE ASSOCIATED LOCATION RESTRICTIONS OF THE NATIONAL ELECTRIC CODE OR CANADIAN ELECTRICAL CODE AS APPLICABLE, INCLUDING ISSUES SUCH AS THE ROUTING, SUPPORT AND LENGTH OF THE INVOLVED CORD OR CABLE.

To separate connectors, insert small flathead tool or screwdriver between metal lever and housing as shown in the diagram. Press screwdriver in a downward direction until the metal lever releases.

To secure the hood and housing assembly together, press the metal levers in the upward direction until metal lever latches into housing pins.