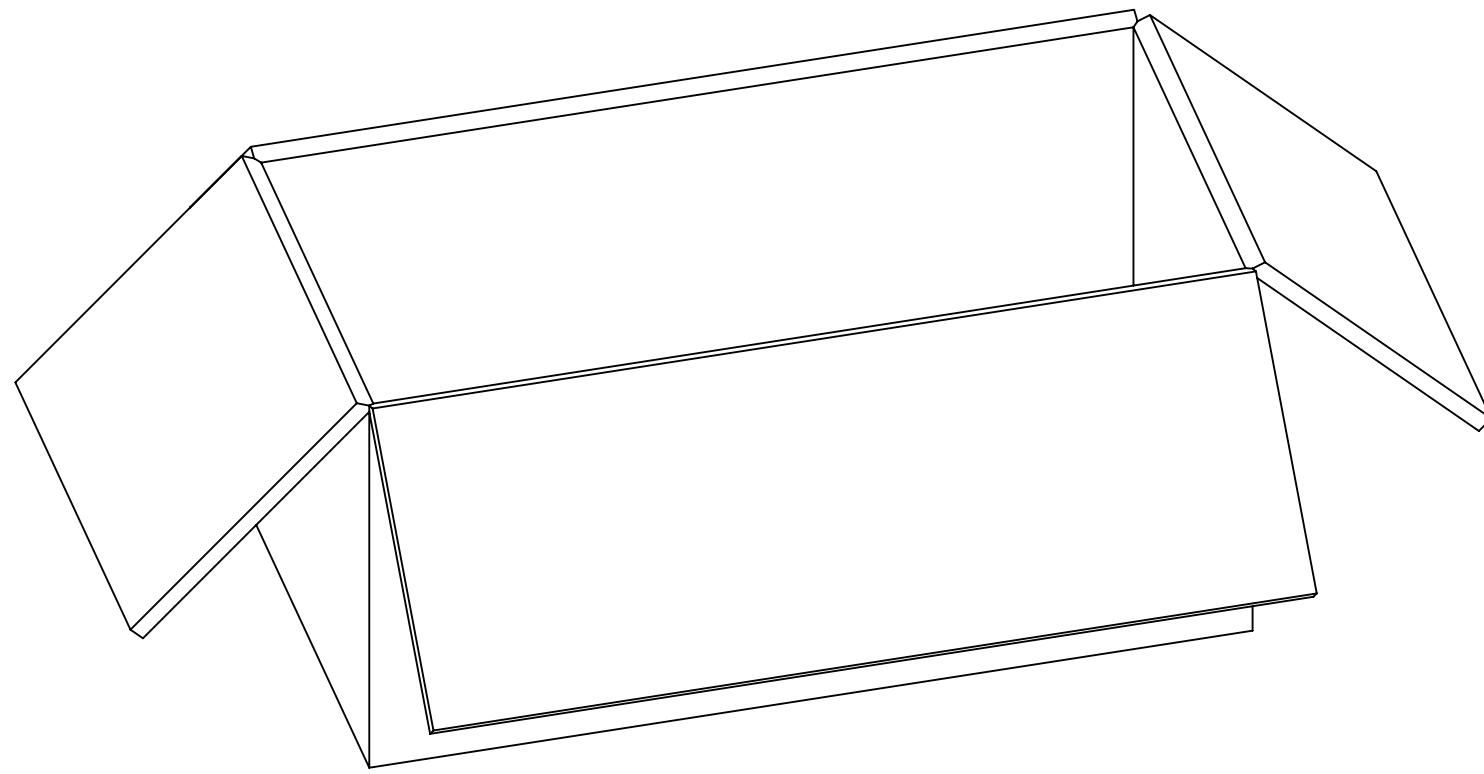


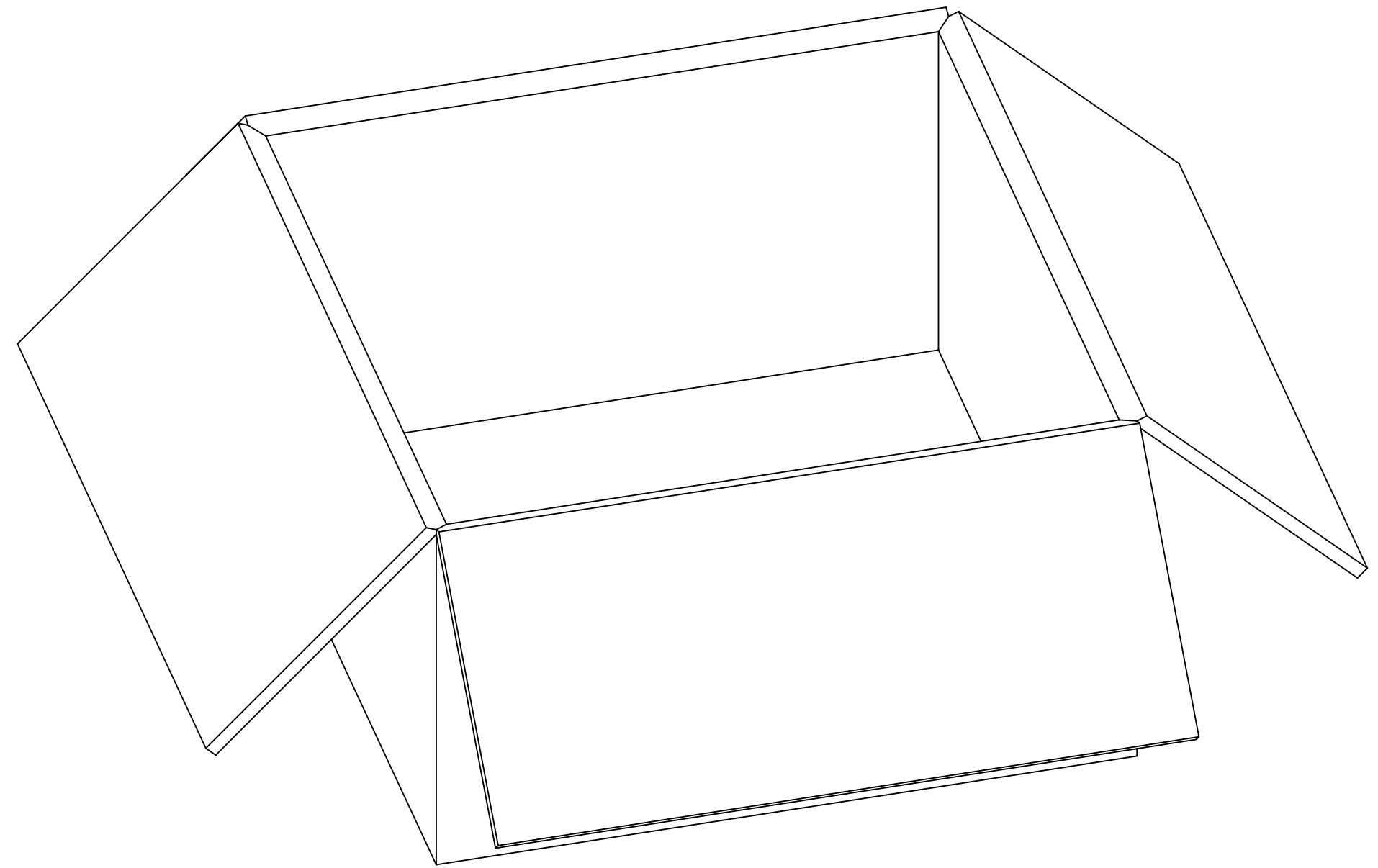
PRODUCT
PN-XXXXX-XXXX



36 SETS PER TRAY
P/N: 89707-0219



360 SETS PER INNER
CARTON BOX
P/N: 96707-0001
DIMENSION: 367 x 173 x 188 (mm)



720 SETS PER OUTER
CARTON BOX
P/N: 96708-0005
DIMENSION: 385 x 367 x 206 (mm)

FUNCTIONAL SYMBOLS	THIS DRAWING CONTAINS INFORMATION THAT IS PROPRIETARY TO MOLEX ELECTRONIC TECHNOLOGIES, LLC AND SHOULD NOT BE USED WITHOUT WRITTEN PERMISSION										
	DIMENSION UNITS	SCALE	CURRENT REV DESC:							molex	
$\frac{F}{A} = 0$	mm	NTS	EWR-14355-C RELEASED NEW PACKAGE DRAWING								
$\frac{F}{C} = 0$	GENERAL TOLERANCES (UNLESS SPECIFIED)		EC NO: 681580							PRODUCT CUSTOMER DRAWING	
$\frac{F}{P} = 0$	ANGULAR TOL ± °		DRWN: JSU18 2021/10/14							DOCUMENT NUMBER	
DIVISIONAL SYMBOLS	4 PLACES ±		CHK'D: YCHENG 2021/10/19							DOC TYPE	
	3 PLACES ±		APPR: YCHENG 2021/10/19							DOC PART	
	2 PLACES ±		INITIAL REVISION:							REVISION	
	1 PLACE ±		DRWN: JSU18 2021/10/14							895420460	
0 PLACES ±		APPR: YCHENG 2021/10/19							PSD 000 A		
DRAFT WHERE APPLICABLE MUST REMAIN WITHIN DIMENSIONS			THIRD ANGLE PROJECTION	DRAWING	SERIES	MATERIAL NUMBER		CUSTOMER		SHEET NUMBER	
				C-SIZE	89542	-----				1 OF 1	

MATERIALS AND FINISHES

BODY ZINC ALLOY
PLATED NICKEL

CENTER CONTACT PHOSPHOR BRONZE
PLATED GOLD

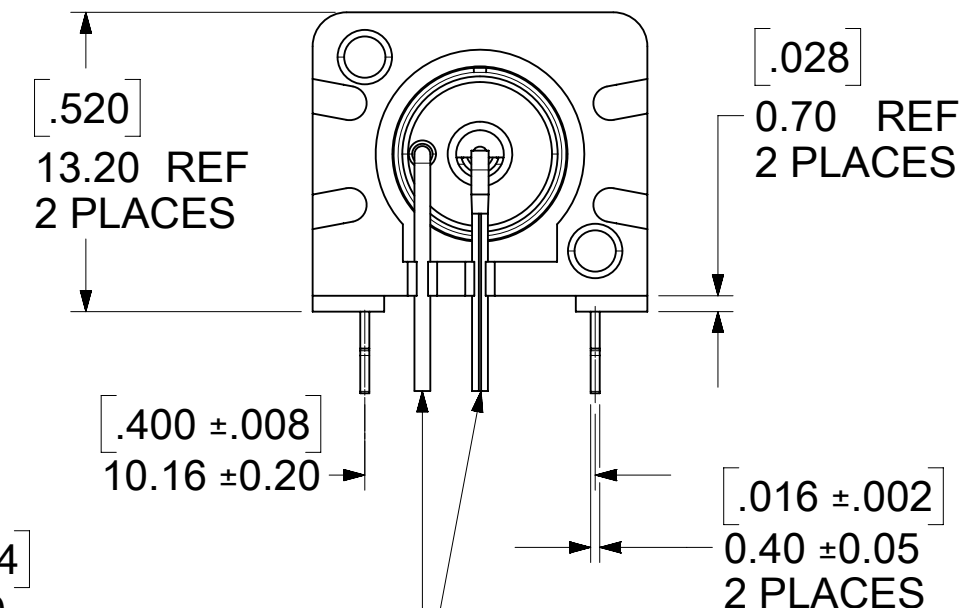
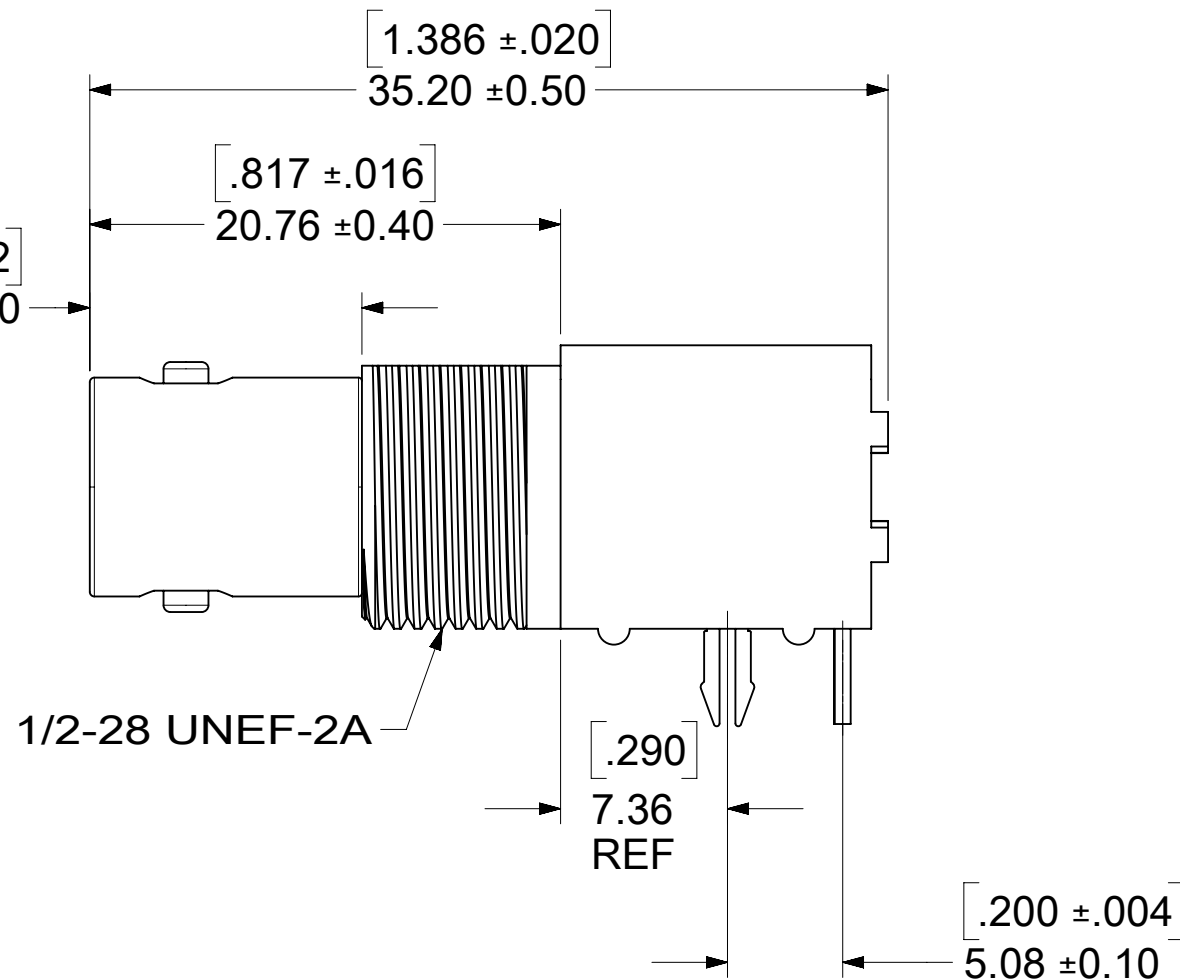
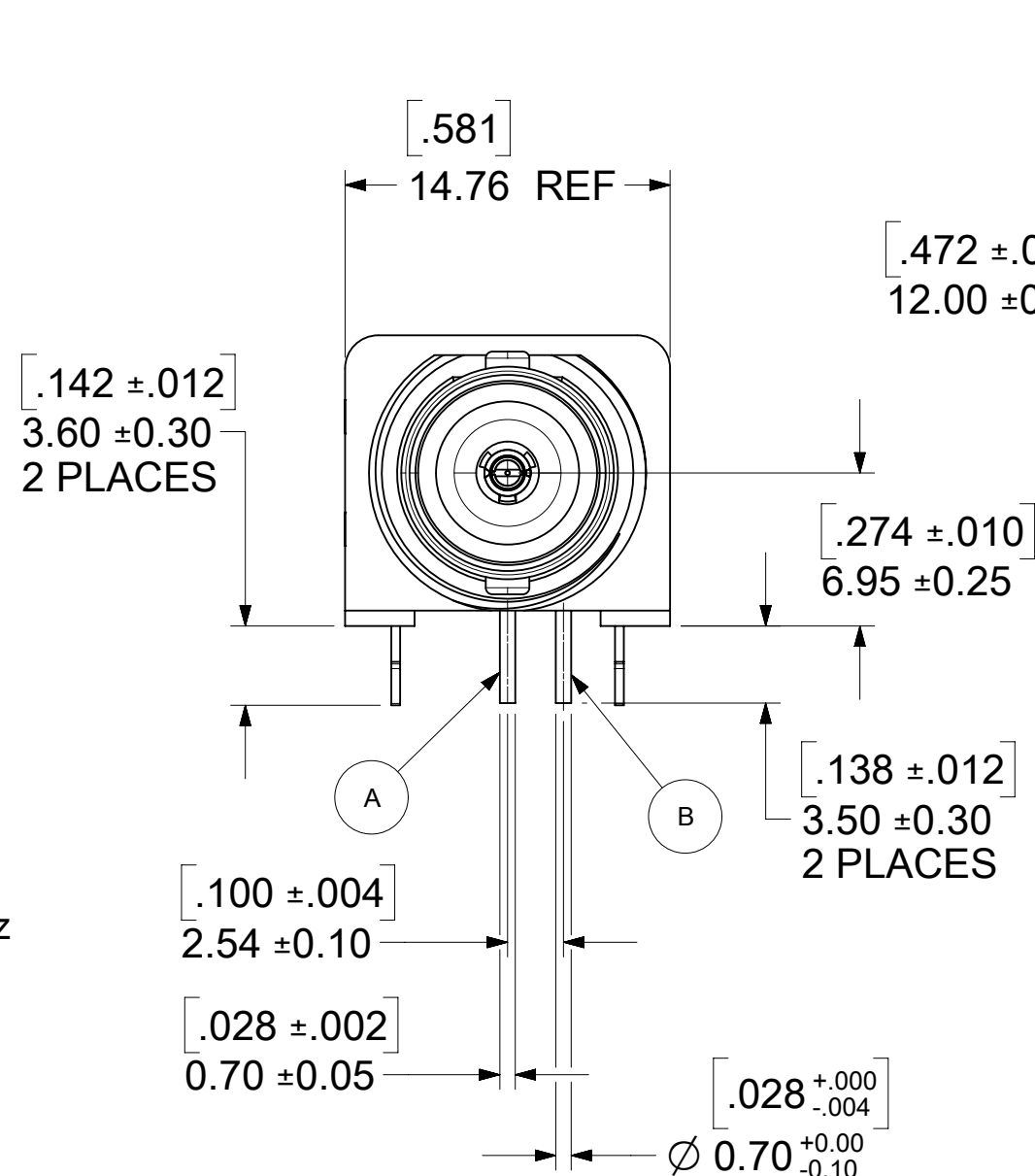
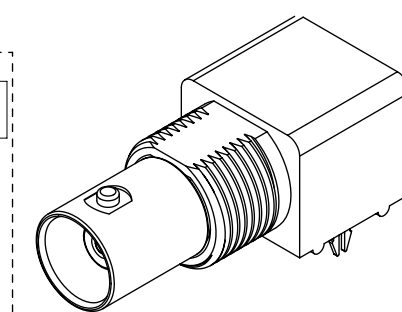
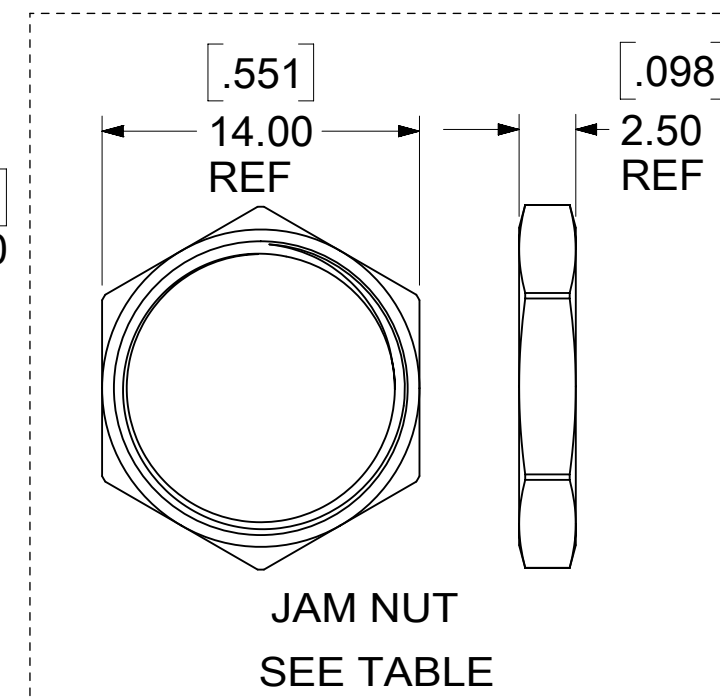
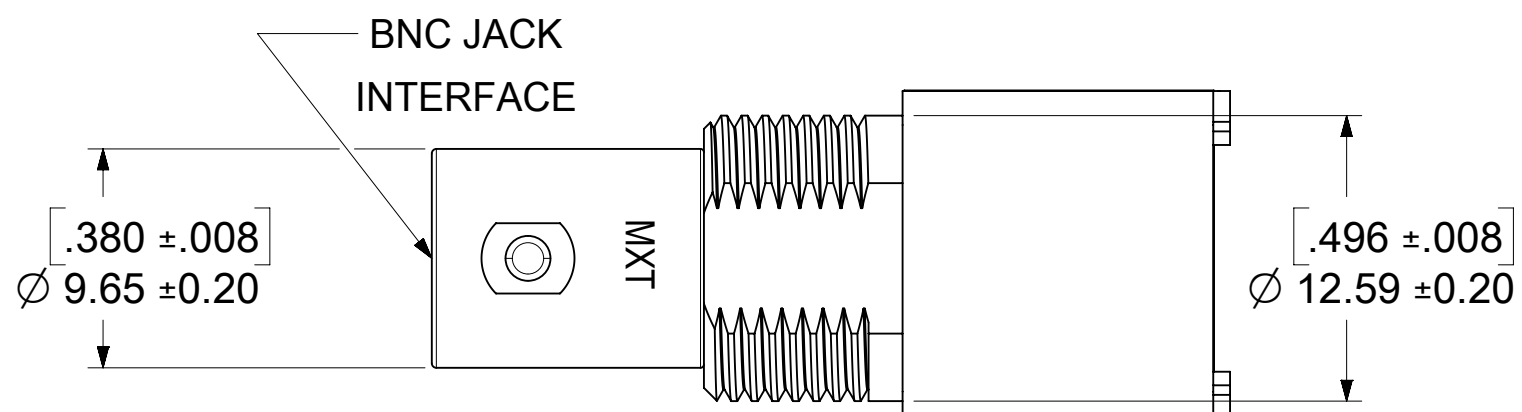
INSULATOR POLYPROPYLENE

HOUSING P.B.T.
COLOR BLACK

SOLDER TAIL BRASS
PLATED TIN

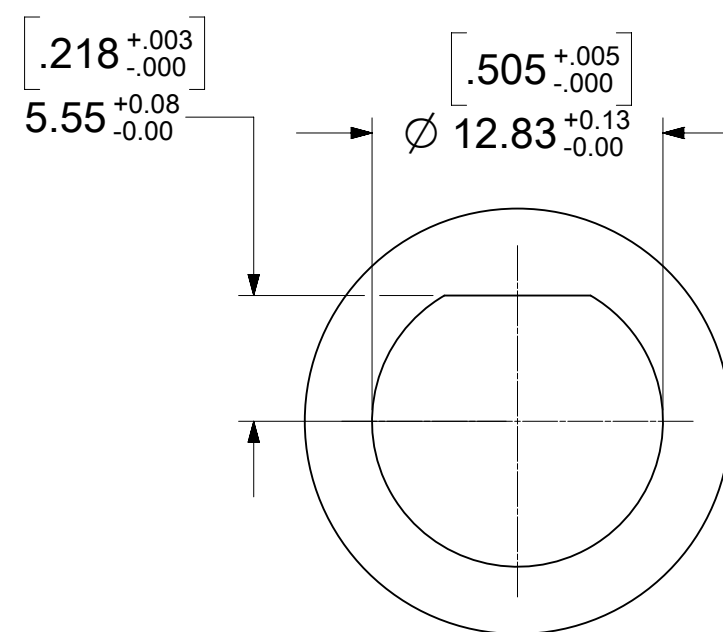
BOARD LOCK CLIP
PHOSPHOR BRONZE
PLATED TIN

NOTES:
FREQUENCY RANGE DC TO 1 GHz
VSWR: 1.6 MAX
INSERTION LOSS: 0.9 dB MAX
RETURN LOSS: 15 dB MAX

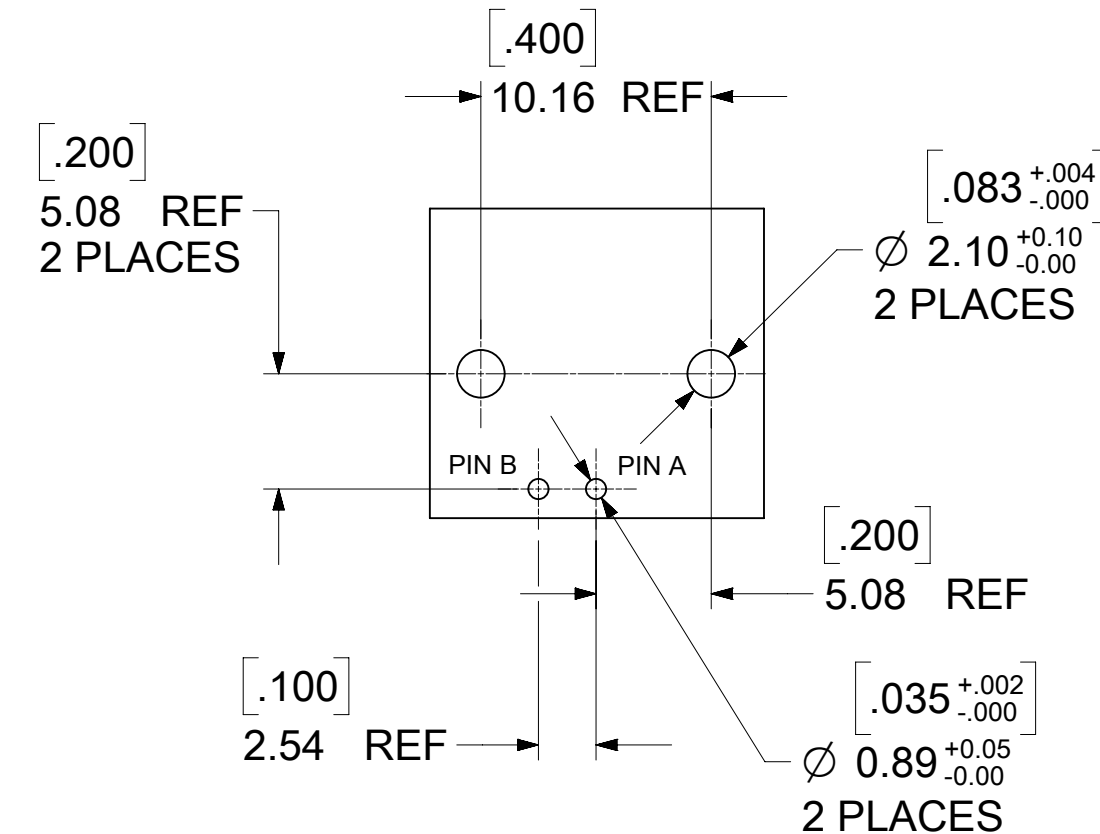


SIGNAL & GROUND LEADS MAY REQUIRE
MANUAL ADJUSTMENT TO FIT RECOMMENDED
PCB PATTERN DURING INSTALLATION

73171-3061	TRAY PACK, JAM NUT BULK	INCLUDED
73171-3060	73100-0167, ONE PER BAG	NOT INCLUDED
73100-0167	TRAY PACK (SEE 895420460 DRAWING)	NOT INCLUDED
PART NO.	PACKAGING	JAM NUT
		89611-0450



RECOMMENDED MOUNTING HOLE
RECOMMENDED MOUNTING
TORQUE: 0.56 N-m (5.0 IN-LBS)
PANEL THICKNESS: 5.5 (.217) MAX



RECOMMENDED PCB LAYOUT

PS-89675-1030	ELECTRO/MECH PERFORM
SPECIFICATION	DESCRIPTION

FUNCTIONAL SYMBOLS	THIS DRAWING CONTAINS INFORMATION THAT IS PROPRIETARY TO MOLEX ELECTRONIC TECHNOLOGIES, LLC AND SHOULD NOT BE USED WITHOUT WRITTEN PERMISSION		CURRENT REV DESC:		molex
MM/INCH	NTS	EWR-14355-B & EWR-14355-C ADDED NOTES FOR ELECTRIC PERFORMANCE ADDED PACK DRAWING NO FOR -0167 PART NO		BNC JACK R/A PCB TH COMMERCIAL 50 OHM BNC-J/RA/PCB	
GENERAL TOLERANCES (UNLESS SPECIFIED)	ANGULAR TOL ± °		EC NO: 681580		PRODUCT CUSTOMER DRAWING
4 PLACES ±	3 PLACES ±		DRWN: JSU18 2021/09/10		
2 PLACES ±	1 PLACE ±		CHK'D: YCHENG 2021/10/19		DOCUMENT NUMBER
0 PLACES ±	INITIAL REVISION:		APPR: YCHENG 2021/10/19		
DIVISIONAL SYMBOLS	DRAFT WHERE APPLICABLE MUST REMAIN WITHIN DIMENSIONS		DRWN: TFLAHERTY 2007/05/01		SD-73100-0167
THIRD ANGLE PROJECTION	DRAWING		APPR: GHUBBARD 1991/08/21		
C-SIZE	SERIES		MATERIAL NUMBER		DOC TYPE
	73100		GENERAL MARKET		DOC PART
			CUSTOMER		REVISION
			SHEET NUMBER		B8
			1 OF 1		