

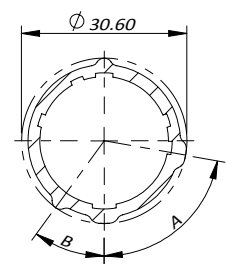
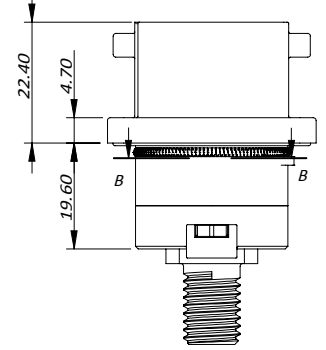
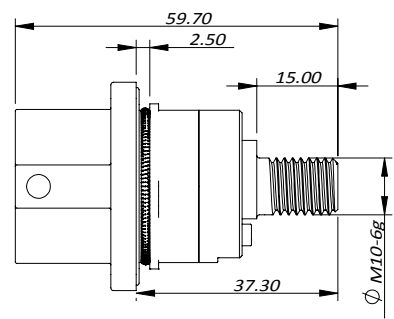
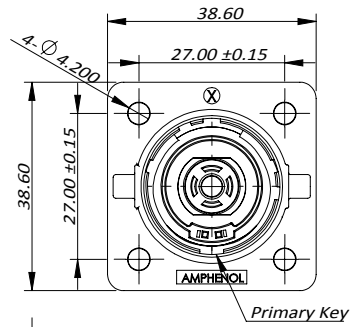
THIS DRAWING IS SUPPLIED FOR INFORMATION ONLY. DESIGN FEATURES, SPECIFICATIONS AND PERFORMANCE DATA SHOWN HEREON ARE THE PROPERTY OF THE AMPHENOL CORPORATION. NO RIGHTS OF REPRODUCTION ARE IMPLIED. ALL DIMENSIONS ARE SUBJECT TO NORMAL MANUFACTURING VARIATIONS.

CUSTOMER DRAWING

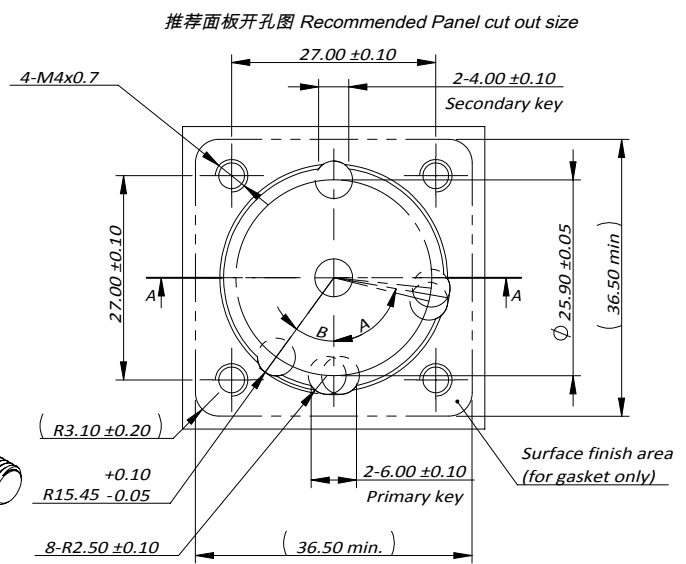
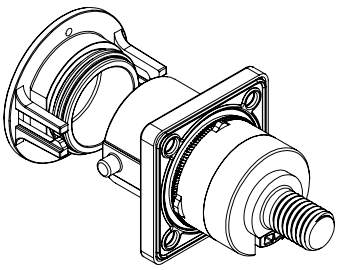
Preliminary Drawing Not For Production

REVISIONS					
REV#	ECN#	REVISION ACTION	REV.BY:	APPR.BY:	DATE
01	--	INITIAL RELEASE	Star	JL	04/26/2021

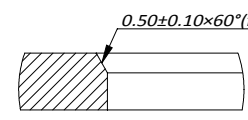
键位 Key	A	B
X	80°	36°
Y	50°	86°
U	36°	76°
V	100°	56°
W	130°	60°
T	144°	96°



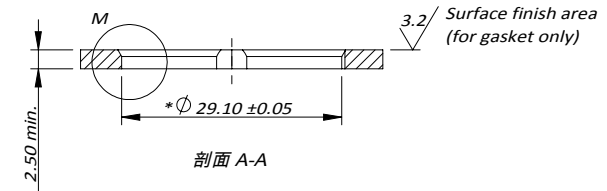
剖面 B-B
比例 1:1.4



Dim A/B: different Key use different angle size



局部视图 M
比例 3:1



剖面 A-A

型号	AC P/N
PL00X-300-20M10-2	AC-HA018697
PL00Y-300-20M10-2	AC-HA018698
PL00U-300-20M10-2	AC-HA018699
PL00V-300-20M10-2	AC-HA018700
PL00W-300-20M10-2	AC-HA018701
PL00T-300-20M10-2	AC-HA018702

规格参数 (Spec.):

- 工作温度 Operating temperature: -40°C ~ +125°C.
- 带高压互锁 Electrical interlock (HVIL). Power: 300A; HVIL: 5A.
- 额定电流 Current rating: Power: 1000 VDC; Signal: 60 VDC.
- 额定电压 Operating voltage: Power: 1000 VDC; Signal: 60 VDC.
- 耐电压 Dielectric withstanding voltage: A. 与插头对插后, Pin与铁壳之间 When mated, between pin and metal shell: 5000 VDC.
- 防护等级 Protection class: Mated-IP6k9k & IP67, unmated-IP2X.
- 电磁屏蔽 360° full Shielding.
- 机械寿命 Mating cycle: 100 Min.
- 绝缘材料满足 UL94V-0 Inner insulation material satisfy UL94V-0.
- 推荐法兰盘螺丝安装扭矩 Recommended Screw Assembly Torque on Flange: 1.6~2.4Nm
- 推荐铜排安装扭矩 Recommended Fasten Torque on Lug: M10: 17.1~20.9Nm
- 镀层 锌/镍合金, 符合 RoHS, 满足 500H 中性盐雾实验 Gray Zinc/Nickel (ZnNi) Plating. RoHS compliant, Rated at 500 hours salt spray.

订购信息 Ordering Information

PL 00 X-300 - 20M10 - 2

Key and Color "X", Orange "Y", Black "U", Yellow "V", Green "W", Red "T", Blue	HVIL "0", NO HVIL	螺纹 Thread M10
--	----------------------	------------------

	Amphenol Technical Products International Asia.				
	第三角投影 THIRD ANGLE PROJECTION	页面 SHEET	幅面 SIZE	版次 REV.	比例 SCALE
	1 OF 1	A4	01		
签名 SIGNATURE	日期 DATE	UNLESS OTHERWISE SPECIFIED			DWG NO:
制图 DRAWN	Star	04/19/2021	1) All dimensions are in metric (mm).		
审核 CHECKED			2) Tolerances are as follows:		
批准 APPROVAL			1.PL DEC ± 1.00		
			2.PL DEC ± 0.50		
			3.PL DEC ± 0.20		
			Angles ±1°		
			CUST PART #		CUST REV.