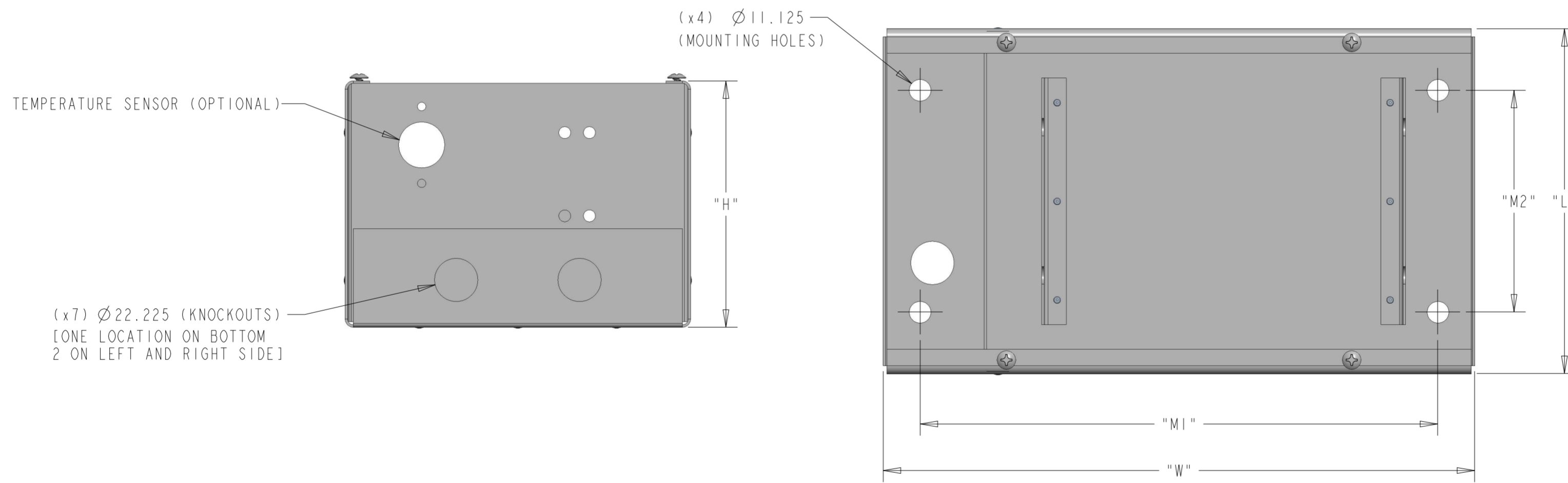
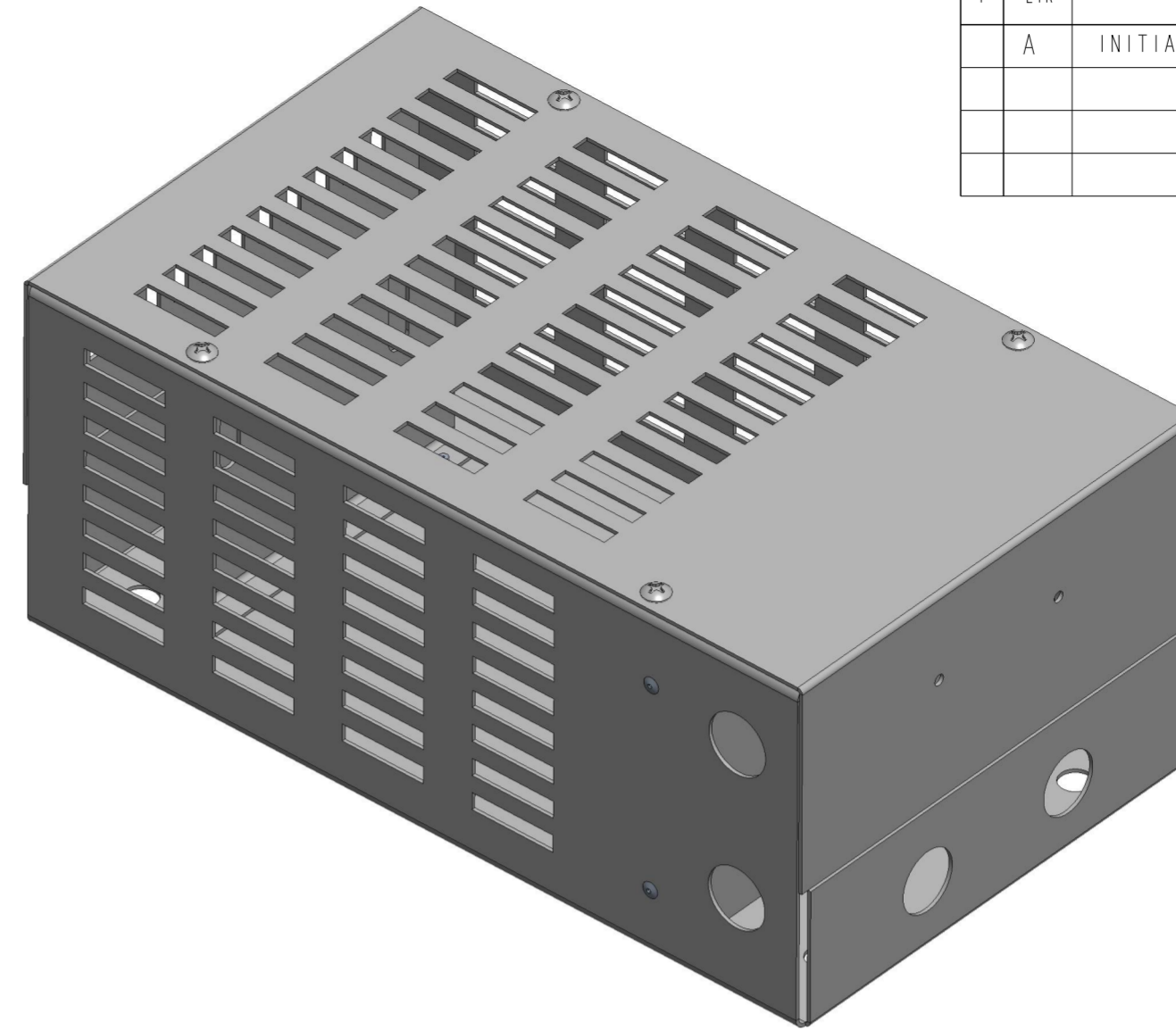
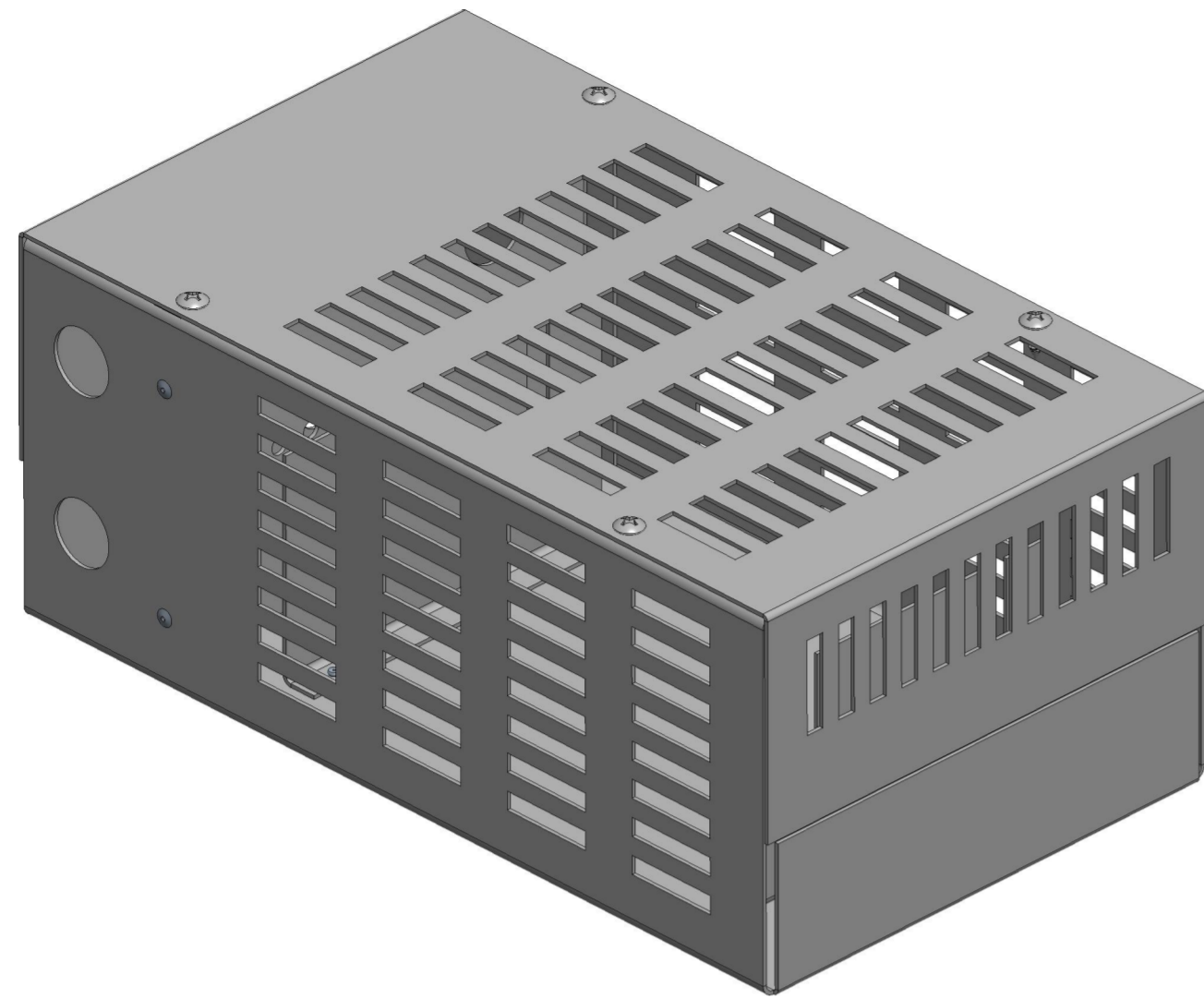


P	LTR	DESCRIPTION	DATE	DWN	APVD
A		INITIAL RELEASE	07OCT2021	KS	AP

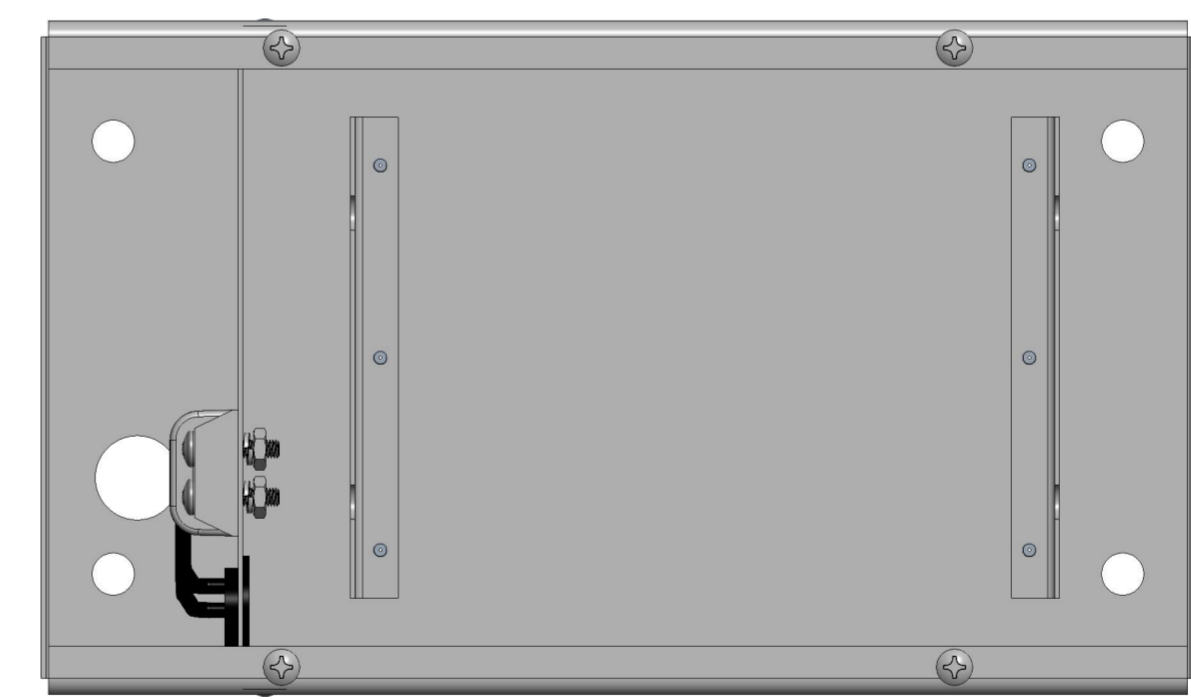
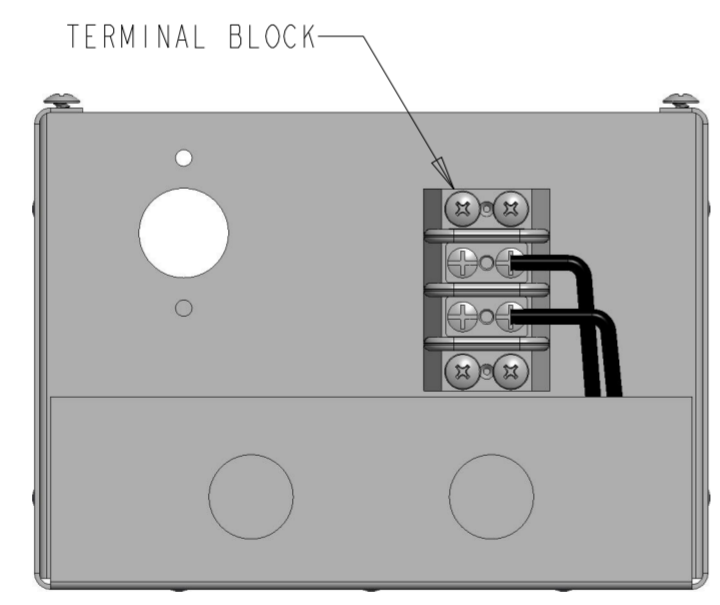
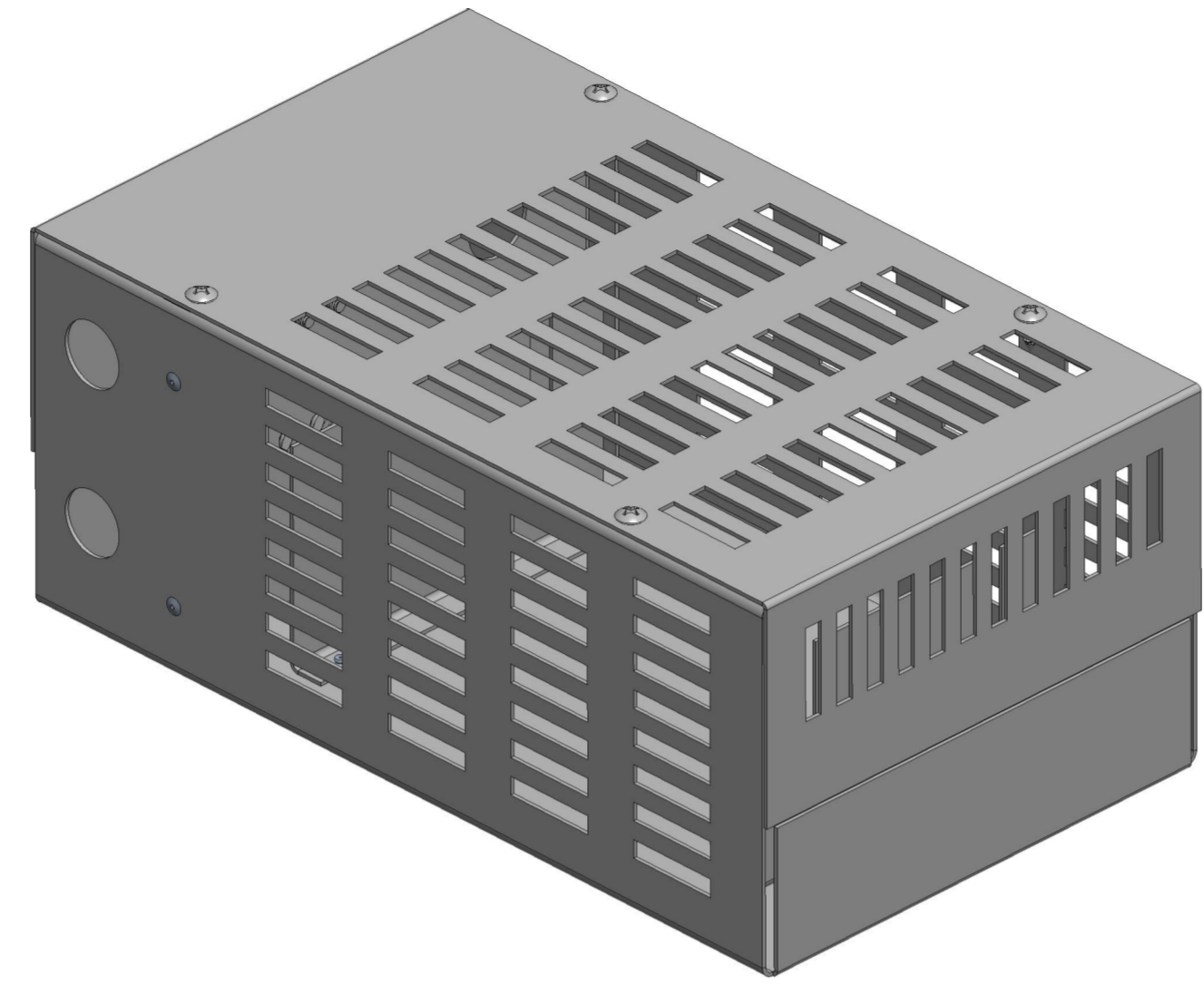



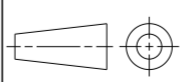
PART NUMBER	W (mm)	L (mm)	H (mm)	M1 (mm)	M2 (mm)	TOTAL RESISTANCE	H.P.	DUTY CYCLE	DRIVE VOLTAGE	BRAKING TORQUE
HPBA010A190R050E	305	178	127	267	114	190 Ohms ± 10%	1.00	50%	230 V	100%

NOTE:
1. FOR FURTHER TECHNICAL INFORMATION PLEASE SEE THE DATASHEET FOR THE HPBA SERIES

THIS DRAWING IS A CONTROLLED DOCUMENT.		DWN S. KARTHIK 13-09-2021	TE Connectivity	
DIMENSIONS: mm		CHK ALLAN PILE 13-09-2021		
TOLERANCES UNLESS OTHERWISE SPECIFIED:		APVD ALLAN PILE 13-09-2021	NAME BRAKING RESISTOR ASSEMBLY TYPE HPBA SERIES HPBA010A190R050E	
0 PLC ± 1 PLC ± 2 PLC ±0.50 3 PLC ±0.500 4 PLC ± ANGLES ± FINISH -		PRODUCT SPEC -	RESTRICTED TO -	
MATERIAL -		APPLICATION SPEC -	SIZE A2	CAGE CODE 00779
		WEIGHT -	DRAWING NO C-2176470-3	
		CUSTOMER DRAWING	SCALE 1:2	SHEET 1 OF 2
			REV A	

REVISIONS				
P	LTR	DESCRIPTION	DATE	APVD
		SEE SHEET 1		



THIS DRAWING IS A CONTROLLED DOCUMENT.		DWN S. KARTHIK	3-09-2021	 TE Connectivity	
DIMENSIONS: mm		CHK ALLAN PILE	3-09-2021		
		APVD ALLAN PILE	3-09-2021		
TOLERANCES UNLESS OTHERWISE SPECIFIED:		PRODUCT SPEC		NAME BRAKING RESISTOR ASSEMBLY TYPE HPBA SERIES HPBA010A190R050E	
0 PLC ±		APPLICATION SPEC		SIZE A2	
1 PLC ±		WEIGHT		CAGE CODE 00779	
2 PLC ±0.50		CUSTOMER DRAWING		DRAWING NO C-2176470-3	
3 PLC ±0.500		SCALE 1:2		SHEET 2 OF 2	
4 PLC ±		SHEET 2 OF 2		REV A	
ANGLES ±		RESTRICTED TO			
FINISH					