



ANATECH ELECTRONICS, INC.

Manufacturer of RF & Microwave Products

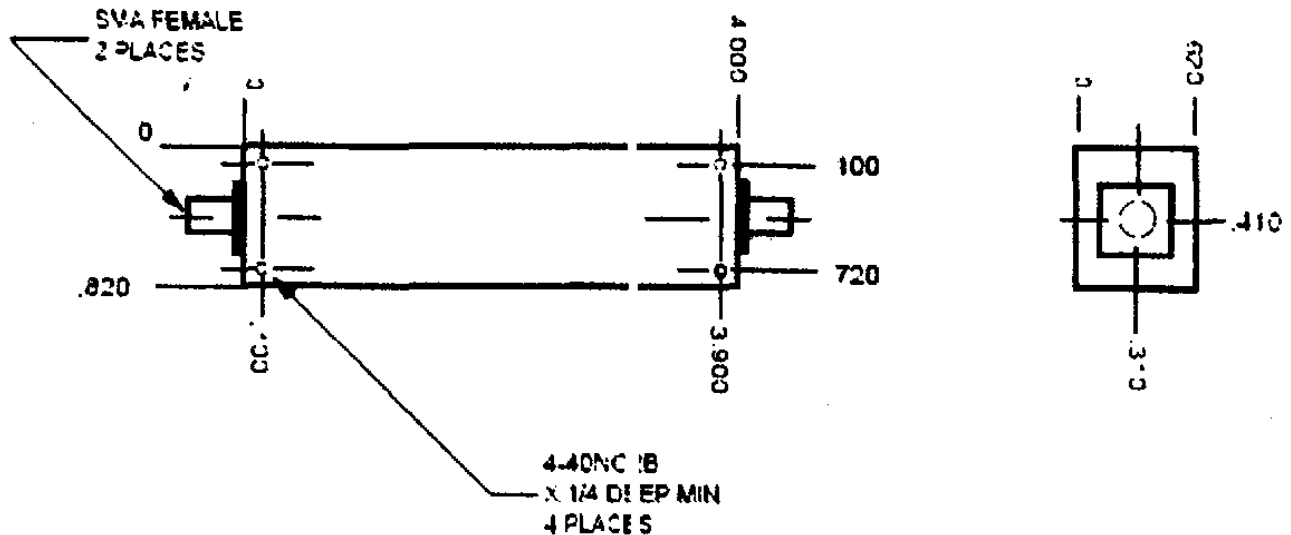


10000 MHz Bandpass Filter

Part Number: AE10000B10803

Frequency:	9900-10100 MHz
Center Frequency:	10000 MHz
Insertion Loss from 9900 to 10100 MHz:	1.9 dB Max; 1.7 dB Typ
VSWR @ 9900 MHz:	1.7:1
VSWR @ 10100 MHz:	1.7:1
3.0dB Relative BW Lower Limit:	9860 MHz Max.
3.0dB Relative BW Upper Limit:	10140 MHz Max.
Attenuation @ 9800 MHz	20 dB Min
Attenuation @ 9700 MHz	40 dB Min
Attenuation @ 10200 MHz	20 dB Min
Attenuation @ 10300 MHz	40 dB Min
Impedance:	50 Ohm Nom

Outline Drawing:





10000 MHz Bandpass Filter

Part Number: AE10000B10803

Response Plot:

