

KombiSIGN 50 / Accessories

Base for tube D25mm, pl. BK**Part No.:** 975.840.90**MECHANICAL DATA**

| | |
|-----------------------|-------|
| Height | 37 mm |
| Diameter | 70 mm |
| Materials | PA-GF |
| Housing colour | Black |
| Weight with packaging | 40 g |
| Product weight | 40 g |

APPROVAL DATA

| | |
|------------------------------|----|
| Conforms with CE | No |
| WEEE | No |
| Conforms with ATEX-directive | No |
| Conforms with CCC | No |
| Conforms with UL | No |
| Conforms with FCC | No |
| Conforms with IC | No |
| EAC certificate available | No |
| Conforms with AS-I | No |
| ICAO Certification | No |
| Conforms with DNV | No |
| Conforms with RoHS CN | No |

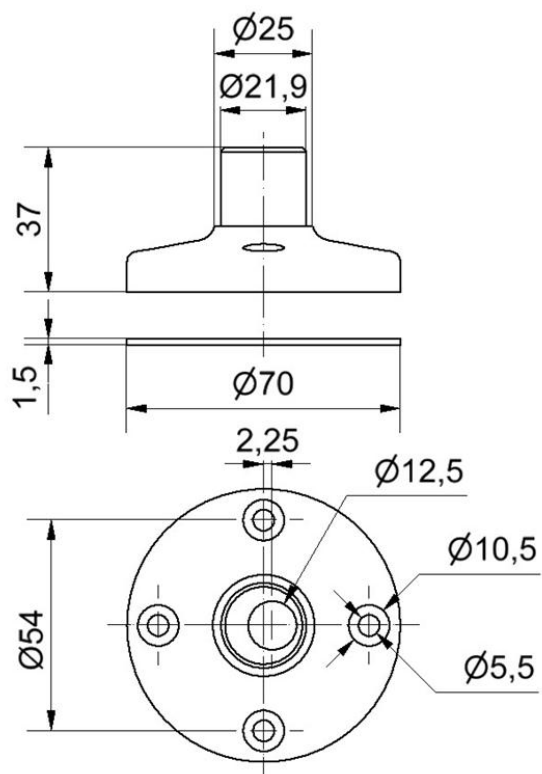


For additional installation and mounting information, refer to the appropriate user guide at www.werma.com. This printed copy is for information only and is subject to alteration.

KombiSIGN 50 / Accessories

Base for tube D25mm, pl. BK

DRAWING



For additional installation and mounting information, refer to the appropriate user guide at www.werma.com. This printed copy is for information only and is subject to alteration.