

PRODUCT CHANGE NOTIFICATION

PCN Number: 450

Date of Issue:	01/22/2017
PCN Effective Date:	01/22/2017
Last Time Buy Date:	Not Available
Last Time Ship Date:	Not Available
Type of Change:	DESIGN
Title of Change:	Datasheet Update of 5682F and 5684F
Description and Reason for Change:	<p>Updated datasheets are available on the website, with the correct dimensions of 5682F and 5684F</p> <p>The lasts pages of this Product Change Notification show updates.</p> <p>Notice: There have been no changes to the product itself, this is only a product datasheet update, available on the website.</p>

Sannah Vinding

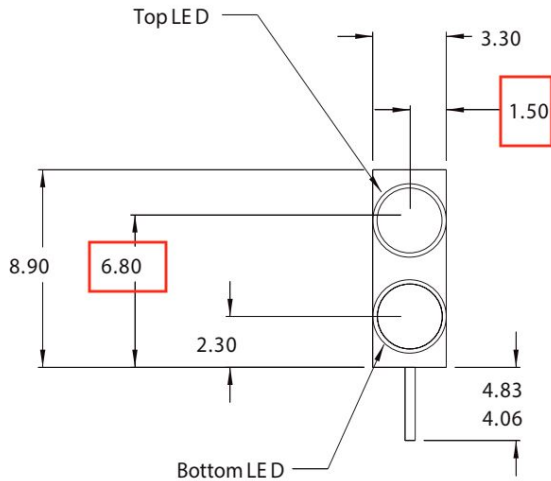
Director of Product Development & Marketing: _____



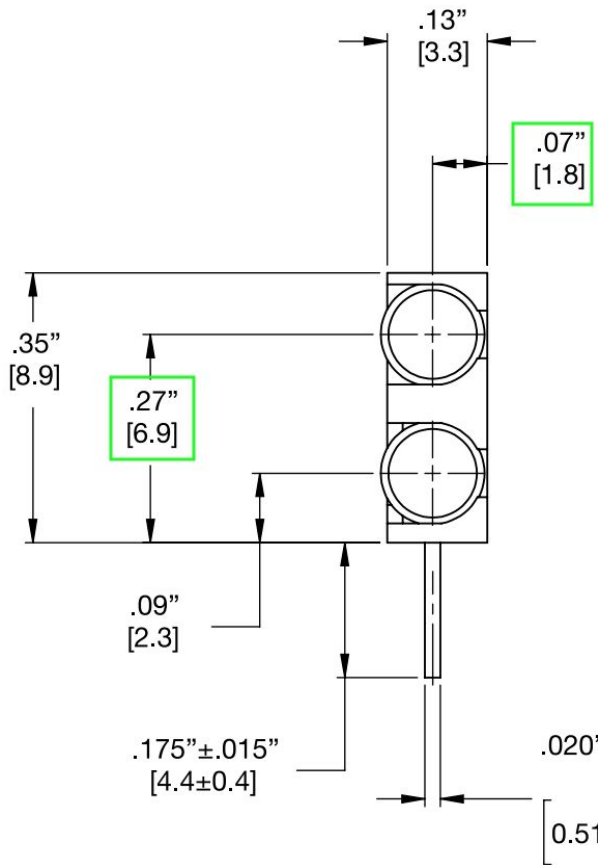
AFFECTED PART NUMBER(S)				
Manufacturer Part Number (MPN)	Description	Discontinued per PCN	Suggested Alternative Part Number(s)	Description of the Difference
5682F1_1	CBI 3mm 2 Positions Right Angle 2.2V Red/Red	No	-	-
5682F1_3	CBI 3mm 2 Positions Right Angle 2.2V Red/Amber	No	-	-
5682F1_5	CBI 3mm 2 Positions Right Angle 2.2V Red/Green	No	-	-
5682F1_X	CBI 3mm 2 Positions Right Angle	No	-	-
5682F1-5V_1-5V	CBI 3mm 2 Positions Right Angle 5V Red/Red	No	-	-
5682F1/5_1/5	CBI 3mm 2 Positions Right Angle 2Bicolor Red/Green	No	-	-
5682F1LC_1LC	CBI 3mm 2 Positions Right Angle Red/Red LC	No	-	-
5682F3_3	CBI 3mm 2 Positions Right Angle Amber/Amber	No	-	-
5682F3-5V_3-5V	CBI 3mm 2 Positions Right Angle 5V Amber/Amber	No	-	-
5682F5_1	CBI 3mm 2 Positions Right Angle Green/Red	No	-	-
5682F5_3	CBI 3mm 2 Positions Right Angle Green/Amber	No	-	-
5682F5_5	CBI 3mm 2 Positions Right Angle Green/Green	No	-	-
5682F5_7	CBI 3mm 2 Positions Right Angle Green/Yellow	No	-	-
5682F5-5V_3-5V	CBI 3mm 2 Positions Right Angle 5V Green/Amber	No	-	-
5682F5-5V_5-5V	CBI 3mm 2 Positions Right Angle 5V Green/Green	No	-	-

AFFECTED PART NUMBER(S)				
Manufacturer Part Number (MPN)	Description	Discontinued per PCN	Suggested Alternative Part Number(s)	Description of the Difference
5682F7_1	CBI 3mm 2 Positions Right Angle 2.2V Yellow/Red	No	-	-
5682F7_7	CBI 3mm 2 Positions RightAngle Yellow/Yellow	No	-	-
5682F7/5_7/5	CBI 3mm 2 Positions R/A BiColor Green-Yellow/Green-Yellow	No	-	-
5682F7LC_7LC	CBI 3mm 2 Positions RightAngle Yellow/Yellow LC	No	-	-
5684F1_1_1_1	CBI 3mm 4 Positions Right Angle 2.2V Red	No	-	-
5684F3_1_5_7	CBI 3mm 4 Positions R/A 2.2V Amber/Red/Green/Yellow	No	-	-
5684F3_5_3_3	CBI 3mm 4 Positions R/A 2.2V Amber/Green/Amber/Amber	No	-	-
5684F5_5_5_5	CBI 3mm 4 Positions Right Angle 2.3V Green	No	-	-
5684F7_7_7_7	CBI 3mm 4 Positions Right Angle 2.2V Yellow	No	-	-

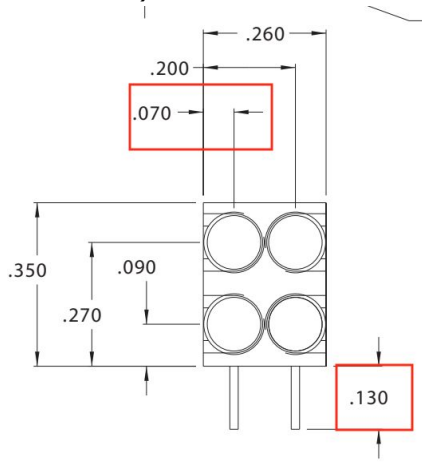
5382F Series - Incorrect Dimensions (Old Datasheet):



5382F Series - Correct Dimensions (New Datasheet):



5384F Series - Incorrect Dimensions (Old Datasheet):



5384F Series - Correct Dimensions (New Datasheet):

