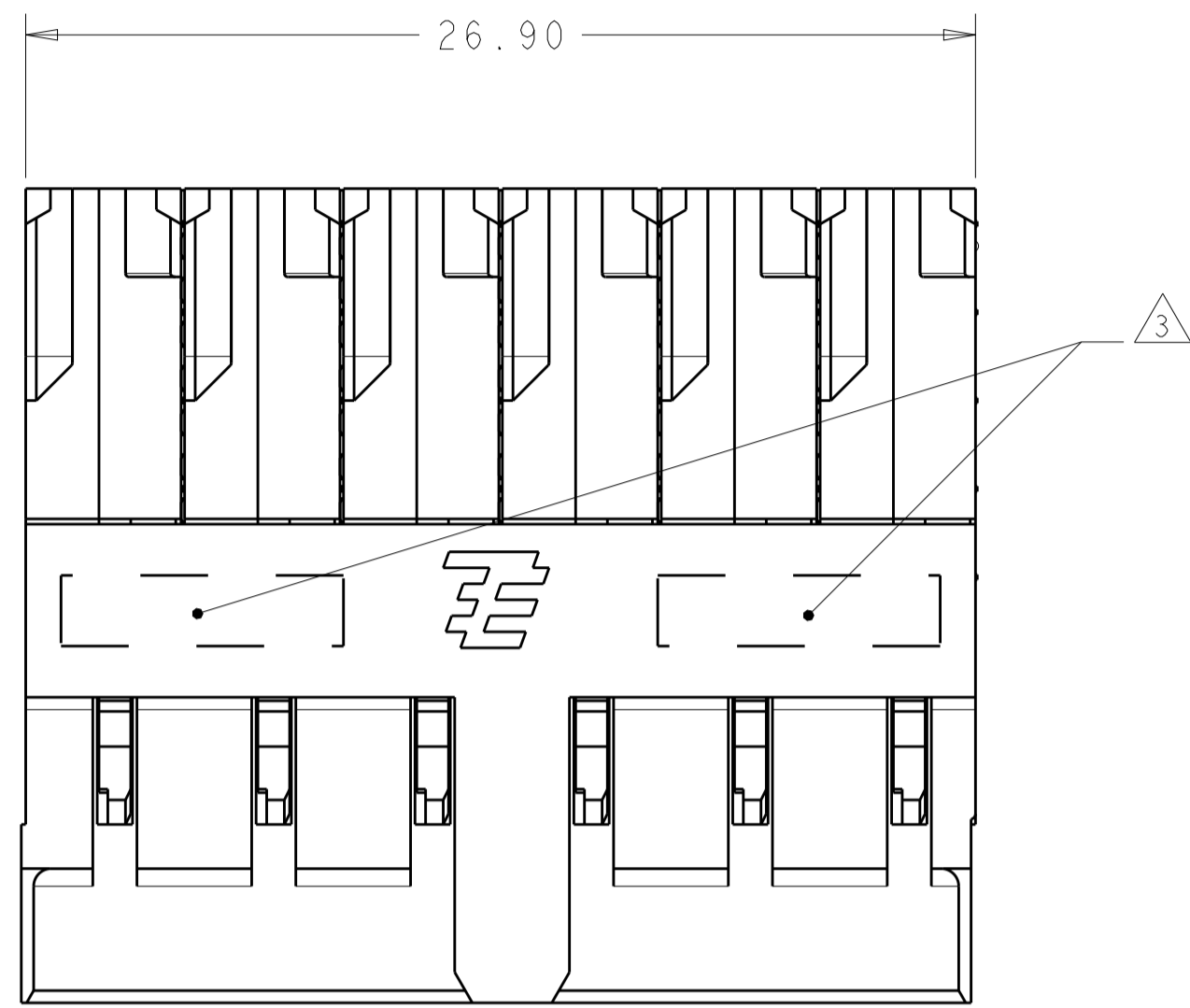
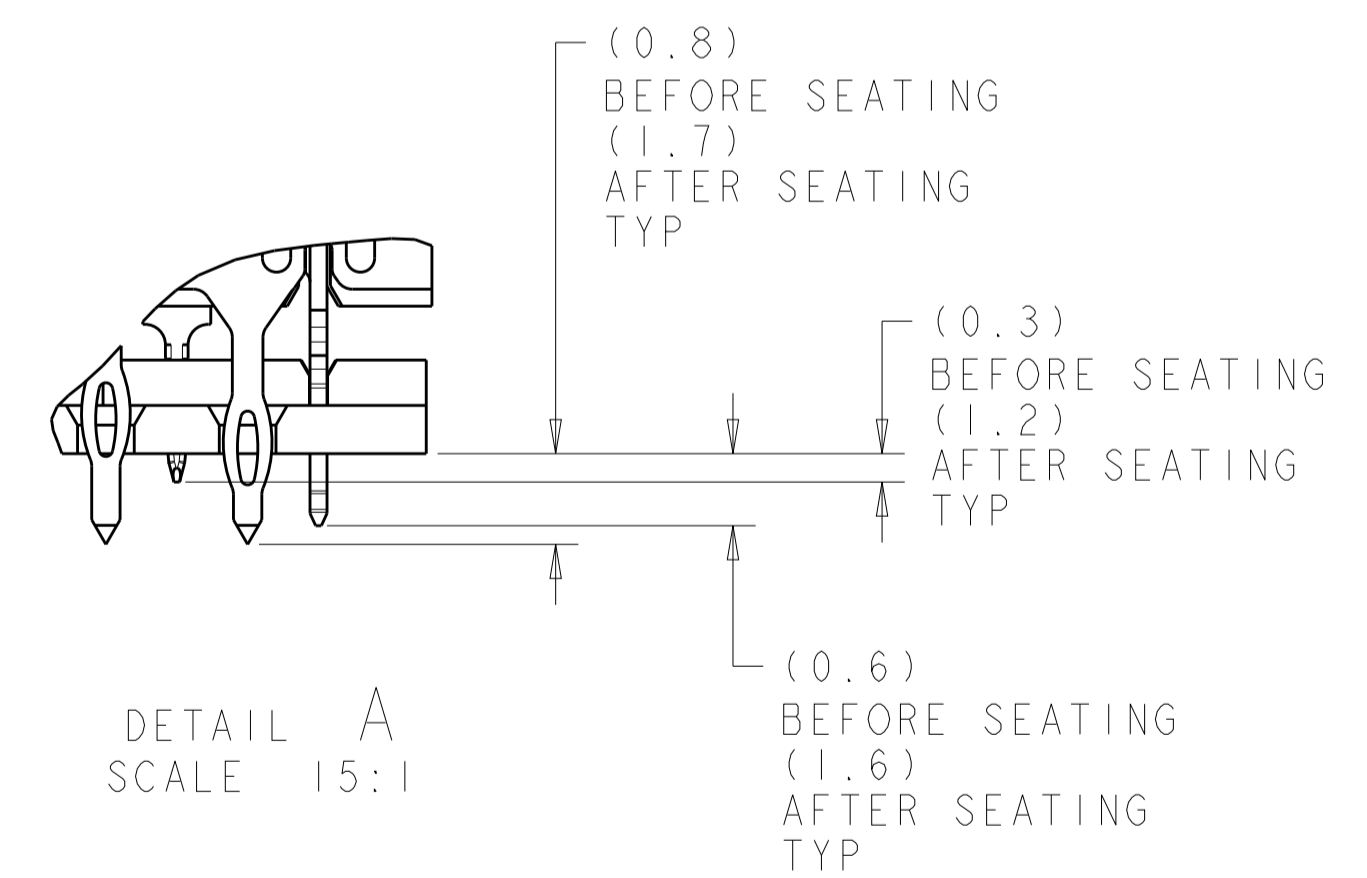
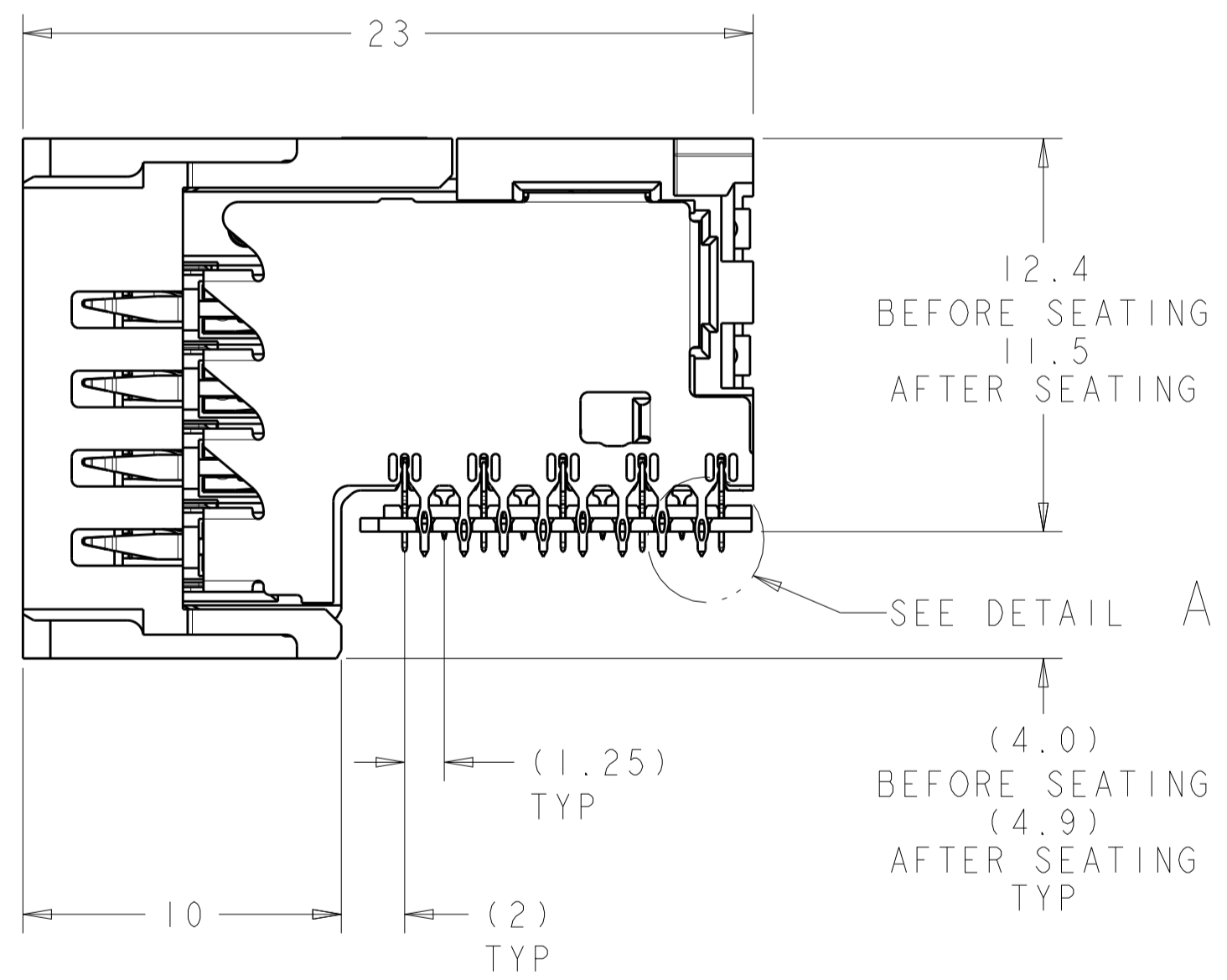
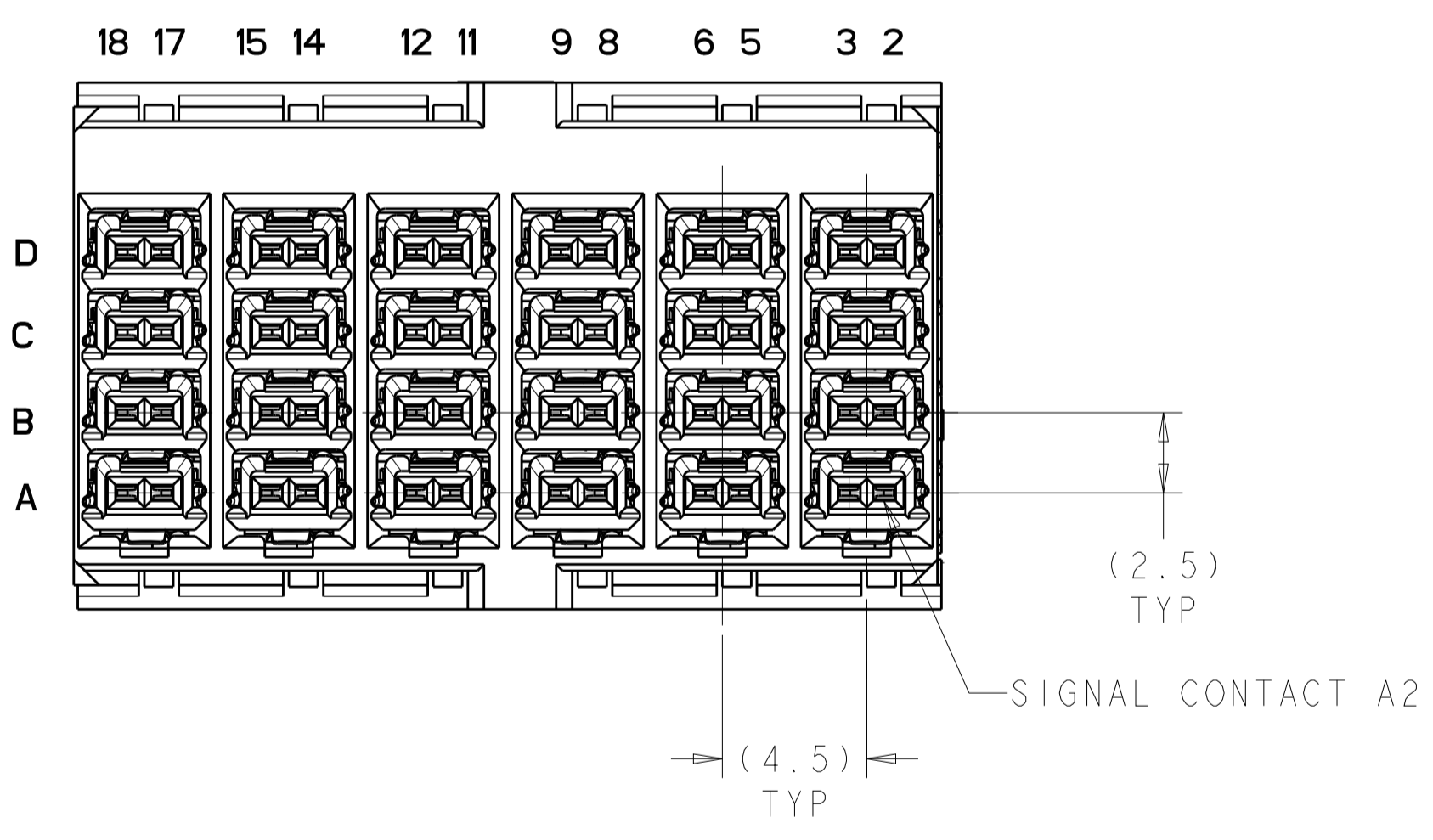


LOC		DIST		REVISIONS					
GP		00		P	LTN	DESCRIPTION	DATE	DWN	APVD
A						RELEASED	25MAR2014	RT	NS
B						REVISED PER ECO-17-006848	10MAY2017	JM	SS



- △ MATERIAL:
CONTACT AND SHIELD - COPPER ALLOY.
HOUSINGS, AND ORGANIZER - THERMOPLASTIC, UL 94V-0, BLACK.
- △ CONFORMS TO REQUIREMENTS OF TE PRODUCT SPECIFICATIONS 108-2413 & 108-32037, BASED ON TELCORDIA GR-1217-CORE FOR SYSTEM QUALITY LEVEL III; APPLICATIONS IN CONTROLLED ENVIRONMENTS (CENTRAL OFFICE).
- △ CONNECTOR MARKED WITH PART NUMBER, DATE CODE, MANUFACTURING LOCATION IDENTIFICATION CODE, AND 2D BARCODE IN APPROXIMATE AREA SHOWN.
- 4. CONTACT AREA LUBRICATED WITH BELLCORE APPROVED LUBRICANT. TECHNICAL REFERENCE: GR-1217-CORE, ISSUE 2, DECEMBER 2008.
- △ PLATED THRU HOLE REQUIREMENTS:
FINISHED HOLE = $\varnothing 0.344 \pm 0.039$
DRILLED HOLE = $\varnothing 0.420 \pm 0.013$
COPPER THICKNESS = 0.038 ± 0.013
IMMERSION TIN IF APPLICABLE = 0.00051 ± 0.00013
- △ PLATED THRU HOLE REQUIREMENTS:
FINISHED HOLE = $\varnothing 0.244 \pm 0.039$
DRILLED HOLE = $\varnothing 0.320 \pm 0.013$
COPPER THICKNESS = 0.038 ± 0.013
IMMERSION TIN IF APPLICABLE = 0.00051 ± 0.00013
- △ PTH DIMENSIONS APPLY TO 1.00mm DEPTH FROM MOUNT SIDE OF PCB.
- △ HOLE POSITION TOLERANCE APPLIES WITHIN PATTERN FOR CONNECTOR PATTERN TO CONNECTOR PATTERN, A 0.12M POSITION TOLERANCE APPLIES.



TIN	2198267-2
TIN-LEAD	2198267-1
PRESS FIT TAIL PLATING	PART NO

THIS DRAWING IS A CONTROLLED DOCUMENT.

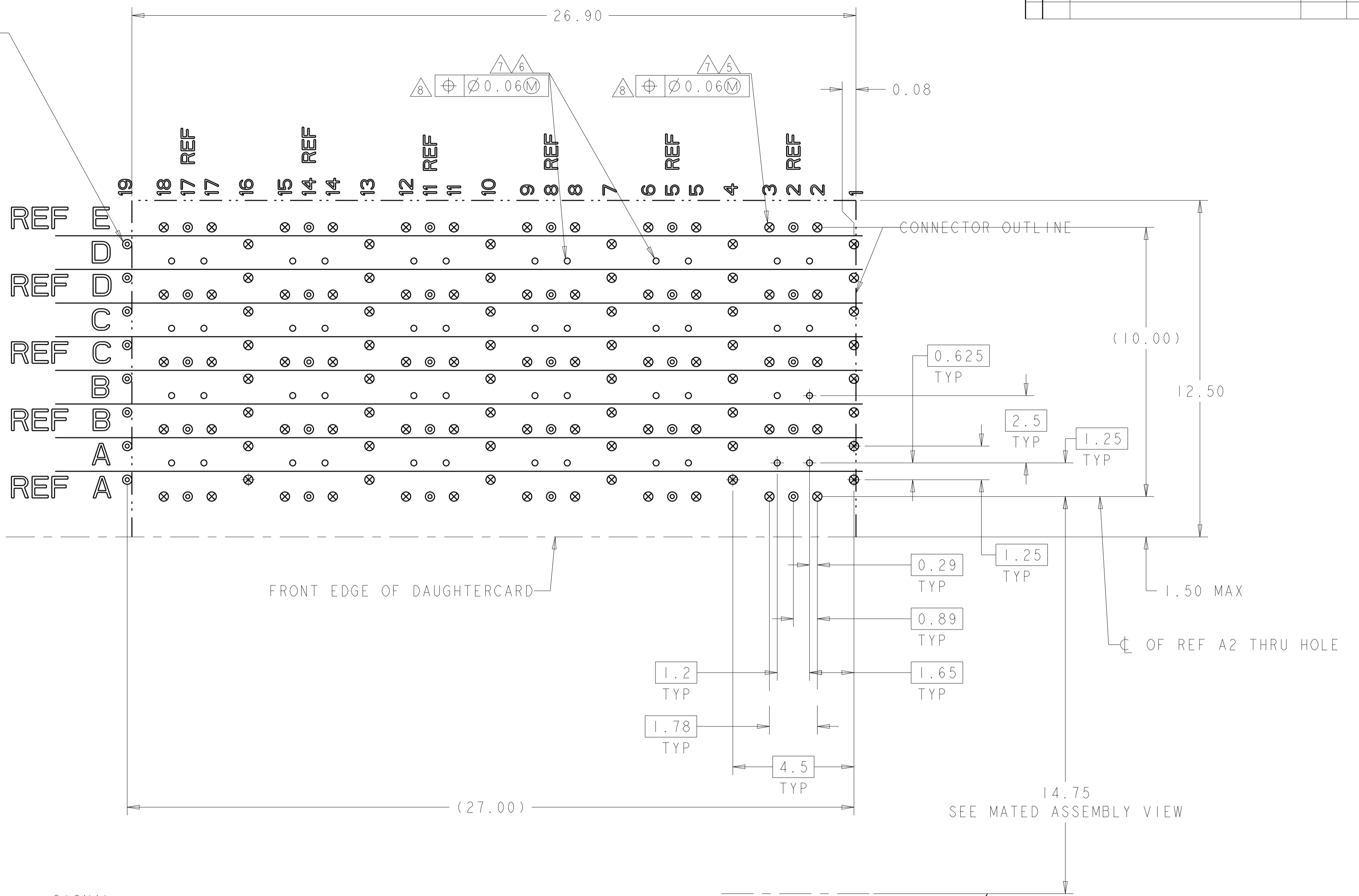
DIMENSIONS:	TOLERANCES UNLESS OTHERWISE SPECIFIED:	DWN: R. THOMPSON 29NOV2011	CHK: N. SWANGER 29NOV2011	APVD: N. SWANGER 29NOV2011
mm	0 PLC ± 0.2 1 PLC ± 0.2 2 PLC ± 0.08 3 PLC ± 0.13 4 PLC ± 0.13 ANGLES \pm	PRODUCT SPEC	APPLICATION SPEC	SIZE: 114-13301
MATERIAL	FINISH	WEIGHT	Customer Drawing	Customer Drawing

NAME: RECEPTACLE ASSEMBLY, 4 PAIR 6 COLUMN, RIGHT ANGLE, 4.5mm PITCH, STRADA WHISPER 360

SCALE: 5:1 SHEET 1 OF 2 REV B

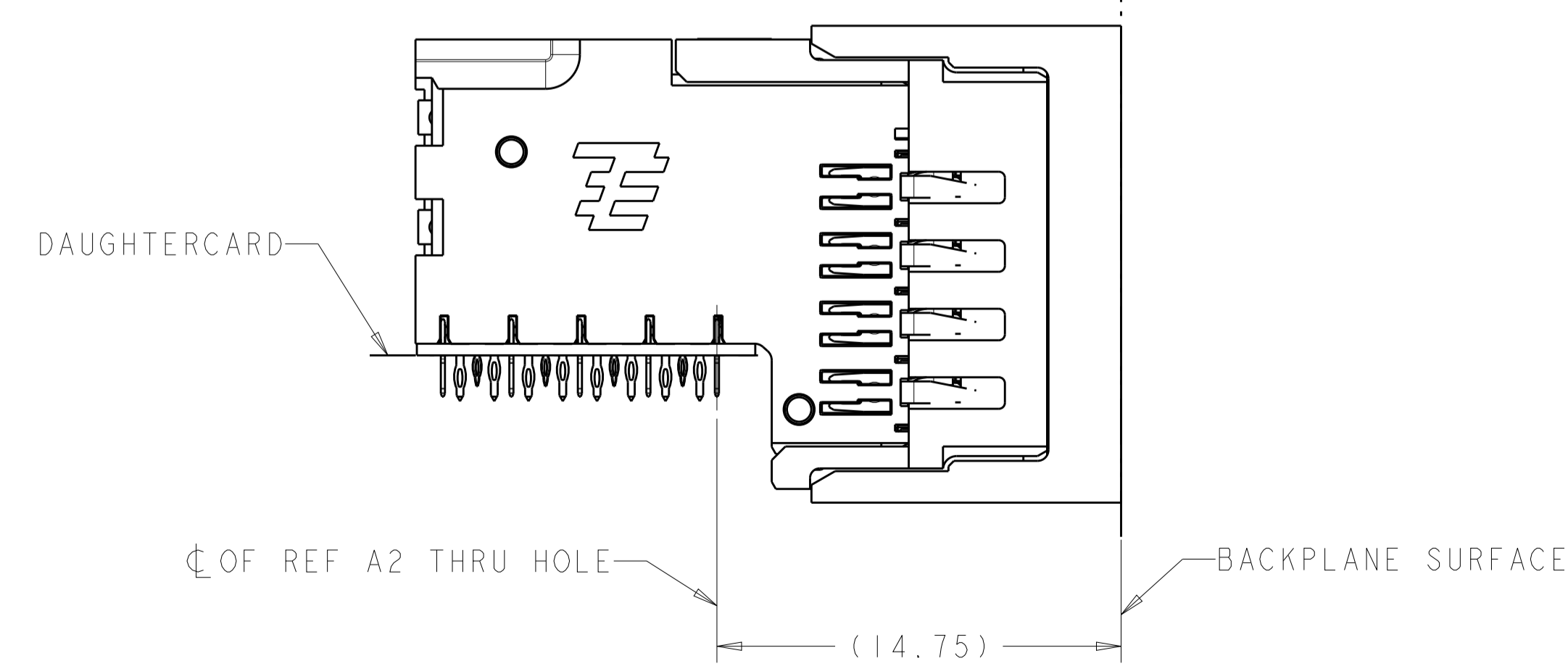
LOC	DIST	REVISIONS					
GP	00	P	LTN	DESCRIPTION	DATE	DWN	APVD
		-		SEE SHEET 1			

FOOTPRINT SHOWN IS FOR SINGLE MODULE APPLICATION. WHEN CONNECTORS ARE STACKED SIDE BY SIDE, THESE SI VIAS ARE USED AS GROUNDS BY THE NEXT CONNECTOR



○ = SIGNAL
 ⊗ = GROUND
 ⊙ = SIGNAL INTEGRITY VIA TO GROUND

PCB LAYOUT COMPONENT SIDE SHOWN SCALE 10:1



MATED ASSEMBLY VIEW SCALE 5:1

THIS DRAWING IS A CONTROLLED DOCUMENT.		DWN R. THOMPSON 29NOV2011	TE Connectivity
DIMENSIONS: mm		CHK N. SWANGER 29NOV2011	
TOLERANCES UNLESS OTHERWISE SPECIFIED:		APVD N. SWANGER 29NOV2011	NAME
0 PLC	±0.2	PRODUCT SPEC	RECEPTACLE ASSEMBLY,
1 PLC	±0.5	APPLICATION SPEC	4 PAIR 6 COLUMN, RIGHT ANGLE,
2 PLC	±0.08	SIZE	4.5mm PITCH, STRADA WHISPER 360
3 PLC	±0.013	WEIGHT	A100779C=2198267
4 PLC	±	Customer Drawing	SCALE 5:1 SHEET 2 OF 2 REV B
ANGLES	±		