

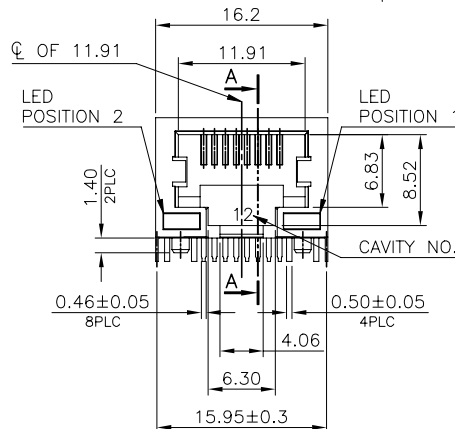
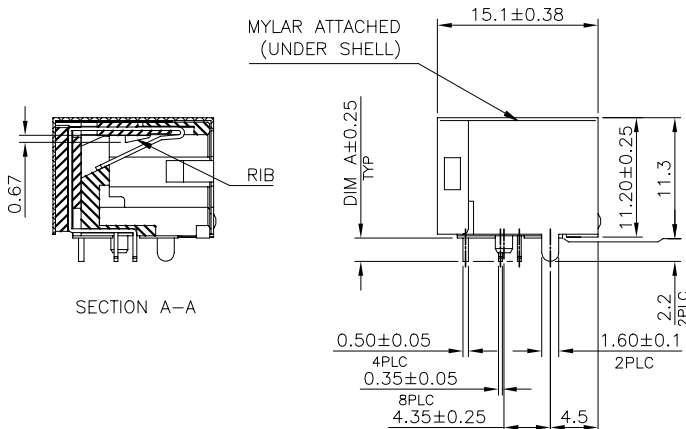
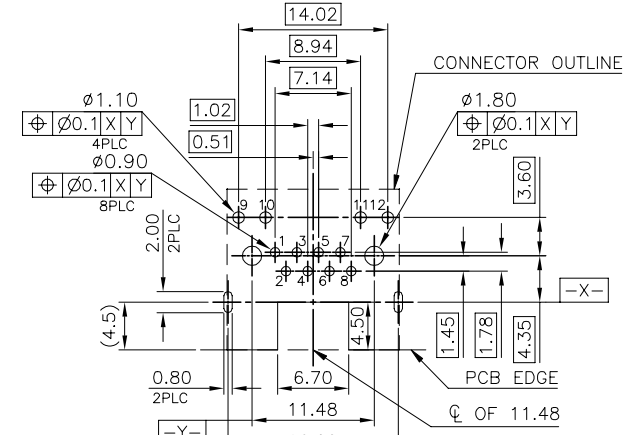
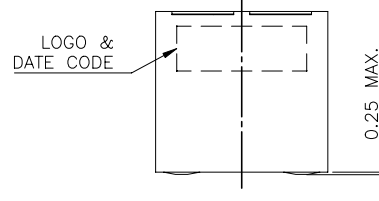
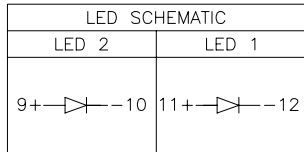
4

3

2

1

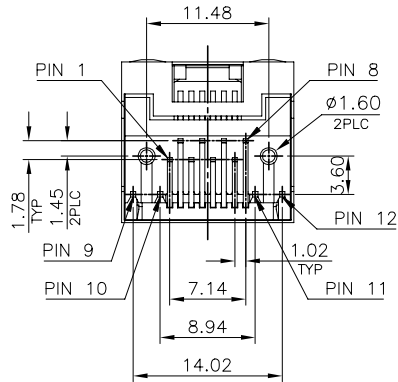
THIS DRAWING IS UNPUBLISHED.		RELEASED FOR PUBLICATION		LOC DW		DIST		REVISIONS					
COPYRIGHT 2010 BY TYCO ELECTRONICS CORPORATION. ALL RIGHTS RESERVED.								P	LTR	DESCRIPTION	DATE	DWN	APVD
								A6	ECR-20-003143		26OCT'2019	RR	SH



RECOMMENDED PCB LAYOUT (TOP VIEW)
PCB THICKNESS: 1.6mm, TOLERANCE: ±0.05

NOTE:

- MATERIAL:
 - HOUSING: PA46, WITH 30% GF, UL94 V-0, BLACK COLOR.
 - INSERT HOUSING: PA46, WITH 30% GF, UL94 V-0, BLACK COLOR.
 - CONTACTS: PHOSPHOR BRONZE.
 - SHELL: BRASS.
 - LED SOLDER TAIL: STEEL.
 - MYLAR: SILICONE POLYMER.
 - FINISH:
 - CONTACTS: (SEE TABLE) GOLD PLATED ON CONTACT AREA. GOLD FLASH ON SOLDER TAIL. 1.27um [50u"] MIN. NICKEL UNDERPLATED OVERALL.
 - SHELL: 0.508um [20u"] MIN. NICKEL PLATED.
 - LED: 1.02um [40u"] COPPER UNDERPLATED OVERALL. 0.2032um [8u"] NICKEL OVERALL. 0.254um [10u"] SILVER ON BONDING AREA. 0.2032um [80u"] BRIGHT-TIN ON SOLDER AREA.
 - LED MUST BE REFLOW COMPATIBLE TO FOLLOWING TEMPERATURE PROFILE (FOR 1 CYCLE): ABOVE 160°C FOR 120 SECONDS, PEAKING AT 220°C FOR 10 SECONDS.
 - LED DEFECT RATE IS 6000 PPM MAX. AFTER IR REFLOW PROCESS AS NOTE 3.
 - WAVE SOLDER CAPABLE TO 265°C PER TE SPEC 109-202, CONDITION B.
- ⚠️ OBSOLETE PARTS: OBSOLETE CIS STREAMLINING PER D.RENAUD/D.SINISI.



⚠️ OBSOLETE	REEL	2.2	YELLOW	GREEN	1.27um[50u"]	1-1734324-8
					0.762um[30u"]	1-1734324-7
⚠️ OBSOLETE	TRAY	2.2	GREEN	YELLOW	0.381um[15u"]	1-1734324-6
					0.152um[6u"]	1-1734324-5
⚠️ OBSOLETE	TRAY	2.2	YELLOW	GREEN	1.27um[50u"]	1-1734324-4
					0.762um[30u"]	1-1734324-3
⚠️ OBSOLETE	TRAY	2.2	GREEN	YELLOW	0.381um[15u"]	1-1734324-2
					0.152um[6u"]	1-1734324-1
⚠️ OBSOLETE	TRAY	2.2	YELLOW	GREEN	1.27um[50u"]	1-1734324-8
					0.762um[30u"]	1734324-7
⚠️ OBSOLETE	TRAY	2.2	GREEN	YELLOW	0.381um[15u"]	1-1734324-6
					0.152um[6u"]	1734324-5
⚠️ OBSOLETE	TRAY	2.2	GREEN	YELLOW	1.27um[50u"]	1-1734324-4
					0.762um[30u"]	1734324-3
⚠️ OBSOLETE	TRAY	2.2	YELLOW	GREEN	0.381um[15u"]	1-1734324-2
					0.152um[6u"]	1734324-1
	PACKAGE	DIM A	POSITION 2	POSITION 1	MIN. GOLD THICKNESS	PART NUMBER

THIS DRAWING IS A CONTROLLED DOCUMENT.		DWN A. WU 04MAR2008				
		CHK S. HOU 04MAR2008				
DIMENSIONS: mm		APVD W. KODAMA 04MAR2008	NAME			
TOLERANCES UNLESS OTHERWISE SPECIFIED:		PRODUCT SPEC		MODULAR JACK CONNECTOR		
0 PLC ±		108-57535		RJ45 WITH LED, 8P8C, SHIELDED		
1 PLC ±0.3		APPLICATION SPEC		TAB DOWN, DIP TYPE, H=11.3mm		
2 PLC ±0.2		WEIGHT 4.5 GRAMS		SIZE A3	CAGE CODE 00779	DRAWING NO C=1734324
3 PLC ±0.15		CUSTOMER DRAWING		RESTRICTED TO		
4 PLC ±				SCALE	SHEET 1 OF 7	REV A6
ANGLES ±3'						
MATERIAL SEE NOTE						
FINISH SEE NOTE						

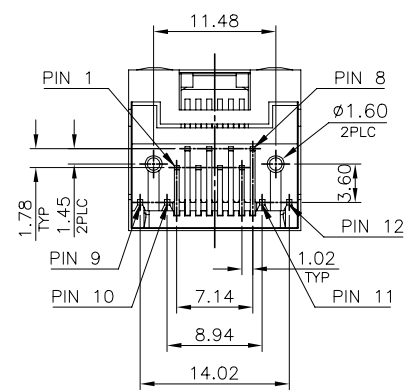
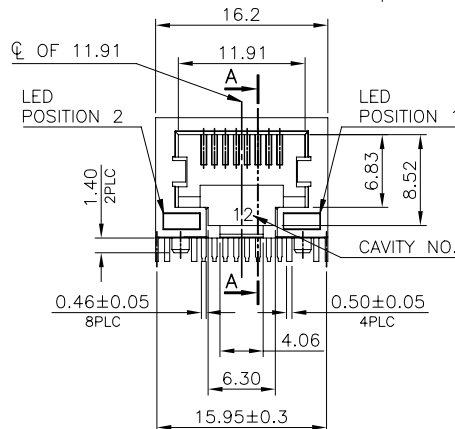
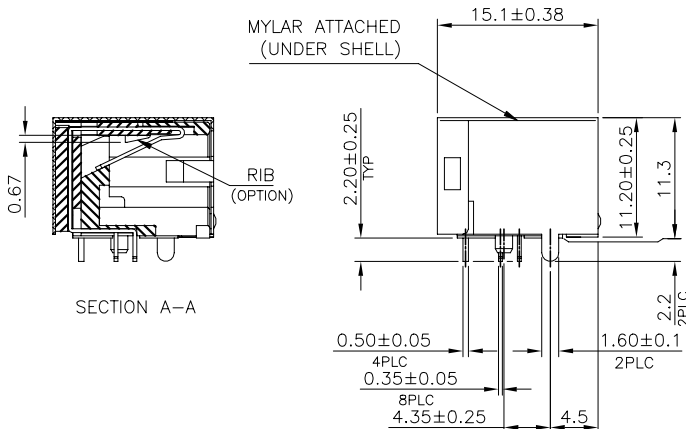
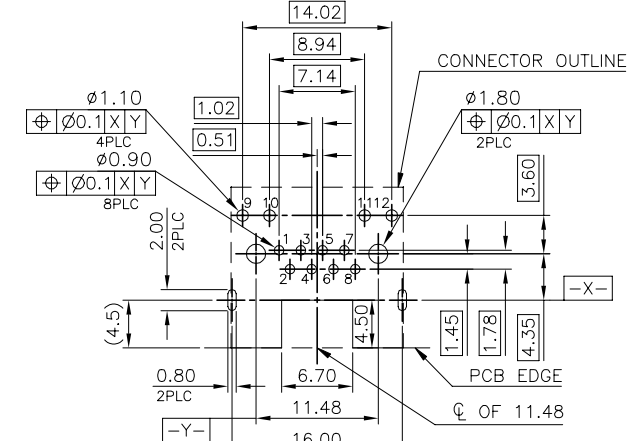
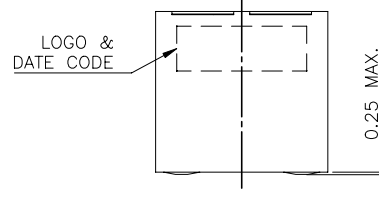
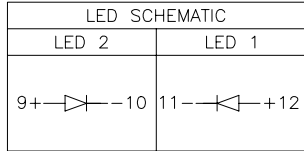
4

3

2

1

THIS DRAWING IS UNPUBLISHED.		RELEASED FOR PUBLICATION		LOC DW		DIST		REVISIONS						
COPYRIGHT 2010 BY TYCO ELECTRONICS CORPORATION. ALL RIGHTS RESERVED.								P LTR		DESCRIPTION		DATE	DWN	APVD
										SEE SHEET 1.				

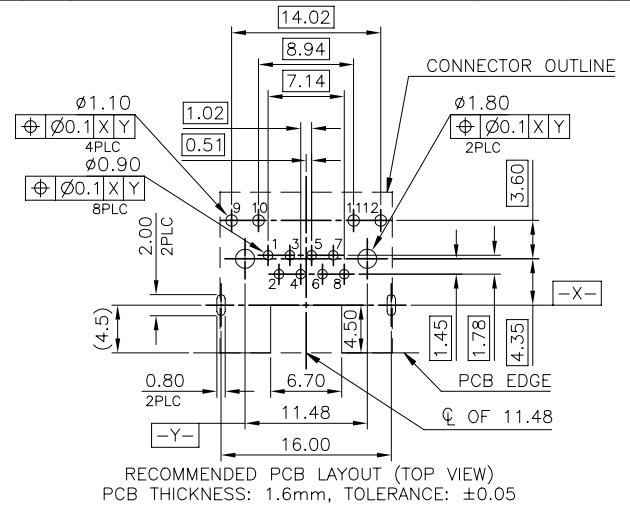
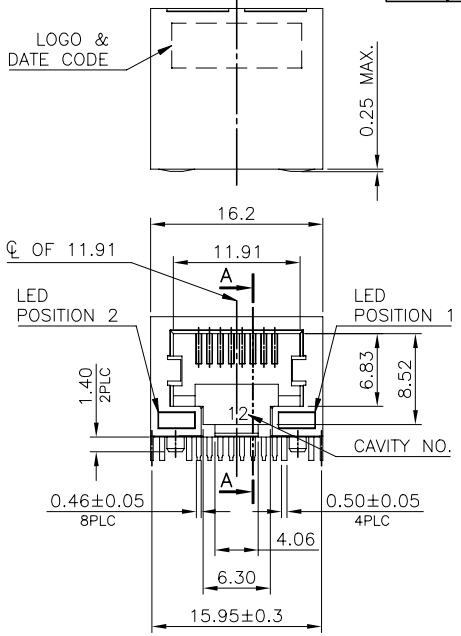
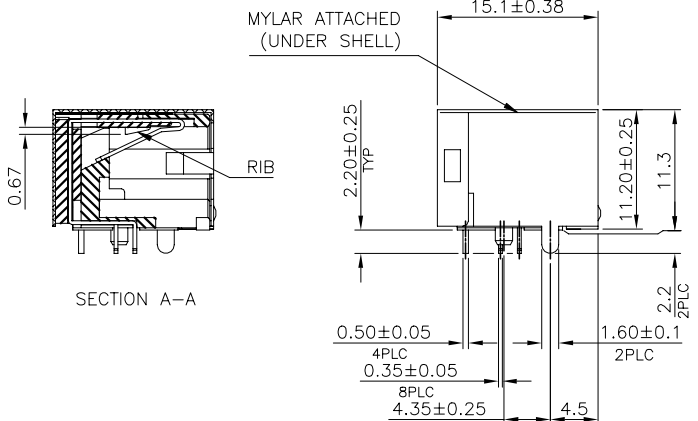
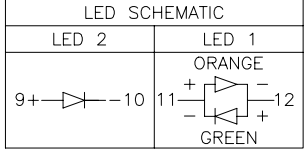


- NOTE:
- MATERIAL:
 - HOUSING: PA46, WITH 30% GF, UL94 V-0, BLACK COLOR.
 - INSERT HOUSING: PA46, WITH 30% GF, UL94 V-0, BLACK COLOR.
 - CONTACTS: PHOSPHOR BRONZE.
 - SHELL: BRASS.
 - LED SOLDER TAIL: STEEL.
 - MYLAR: SILICONE POLYMER.
 - FINISH:
 - CONTACTS: (SEE TABLE) GOLD PLATED ON CONTACT AREA. GOLD FLASH ON SOLDER TAIL. 1.27um [50u"] MIN. NICKEL UNDERPLATED OVERALL.
 - SHELL: 0.508um [20u"] MIN. NICKEL PLATED.
 - LED: 1.02um [40u"] COPPER UNDERPLATED OVERALL. 0.2032um [8u"] NICKEL OVERALL. 0.254um [10u"] SILVER ON BONDING AREA. 0.2032um [80u"] BRIGHT-TIN ON SOLDER AREA.
 - LED MUST BE REFLOW COMPATIBLE TO FOLLOWING TEMPERATURE PROFILE (FOR 1 CYCLE): ABOVE 160°C FOR 120 SECONDS, PEAKING AT 220°C FOR 10 SECONDS.
 - LED DEFECT RATE IS 6000 PPM MAX. AFTER IR REFLOW PROCESS AS NOTE 3.
 - WAVE SOLDER CAPABLE TO 265°C PER TE SPEC 109-202, CONDITION B.
- ⚠️ OBSOLETE PARTS: OBSOLETE CIS STREAMLINING PER D.RENAUD/D.SINISI.

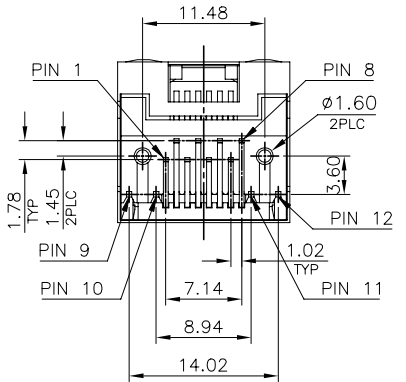
⚠️	OBSOLETE	W/O TAPE & REEL	YELLOW	GREEN	1.27um[50u"]	3-1734324-6
					0.762um[30u"]	3-1734324-7
⚠️	OBSOLETE	W/O TAPE & REEL	GREEN	YELLOW	0.381um[15u"]	3-1734324-6
					0.152um[6u"]	3-1734324-5
⚠️	OBSOLETE	W/ TRAY	YELLOW	GREEN	1.27um[50u"]	3-1734324-4
					0.762um[30u"]	3-1734324-3
⚠️	OBSOLETE	W/ TRAY	GREEN	YELLOW	0.381um[15u"]	3-1734324-2
					0.152um[6u"]	3-1734324-1
⚠️	OBSOLETE	W/ TRAY	YELLOW	GREEN	1.27um[50u"]	2-1734324-8
					0.762um[30u"]	2-1734324-7
⚠️	OBSOLETE	W/ TRAY	GREEN	YELLOW	0.381um[15u"]	2-1734324-6
					0.152um[6u"]	2-1734324-5
⚠️	OBSOLETE	W/ TRAY	YELLOW	GREEN	1.27um[50u"]	2-1734324-4
					0.762um[30u"]	2-1734324-3
⚠️	OBSOLETE	W/ TRAY	GREEN	YELLOW	0.381um[15u"]	2-1734324-2
					0.152um[6u"]	2-1734324-1
		RIB PACKAGE	POSITION 2	POSITION 1	MIN. GOLD THICKNESS	PART NUMBER

THIS DRAWING IS A CONTROLLED DOCUMENT.

DWN	-	TE TE Connectivity	
CHK	-		
APVD	-	NAME	
PRODUCT SPEC	-	MODULAR JACK CONNECTOR	
APPLICATION SPEC	-	RJ45 WITH LED, 8P8C, SHIELDED TAB DOWN, DIP TYPE, H=11.3mm	
WEIGHT	-	SIZE	A3
CUSTOMER DRAWING	-	CAGE CODE	00779
	-	DRAWING NO	C=1734324
	-	RESTRICTED TO	-
	-	SCALE	-
	-	SHEET	2 OF 7
	-	REV	A6



- NOTE:
- MATERIAL:
 - HOUSING: PA46, WITH 30% GF, UL94 V-0, BLACK COLOR.
 - INSERT HOUSING: PA46, WITH 30% GF, UL94 V-0, BLACK COLOR.
 - CONTACTS: PHOSPHOR BRONZE.
 - SHELL: BRASS.
 - LED SOLDER TAIL: STEEL.
 - MYLAR: SILICONE POLYMER.
 - FINISH:
 - CONTACTS: (SEE TABLE) GOLD PLATED ON CONTACT AREA. GOLD FLASH ON SOLDER TAIL. 1.27µm [50u"] MIN. NICKEL UNDERPLATED OVERALL.
 - SHELL: 0.508µm [20u"] MIN. NICKEL PLATED.
 - LED: 1.02µm [40u"] COPPER UNDERPLATED OVERALL. 0.2032µm [8u"] NICKEL OVERALL. 0.254µm [10u"] SILVER ON BONDING AREA. 0.2032µm [80u"] BRIGHT-TIN ON SOLDER AREA.
 - LED MUST BE REFLOW COMPATIBLE TO FOLLOWING TEMPERATURE PROFILE (FOR 1 CYCLE): ABOVE 160°C FOR 120 SECONDS, PEAKING AT 220°C FOR 10 SECONDS.
 - LED DEFECT RATE IS 6000 PPM MAX. AFTER IR REFLOW PROCESS AS NOTE 3.
 - WAVE SOLDER CAPABLE TO 265°C PER TE SPEC 109-202, CONDITION B.
- ⚠️ OBSOLETE PARTS: OBSOLETE CIS STREAMLINING PER D.RENAUD/D.SINISI.



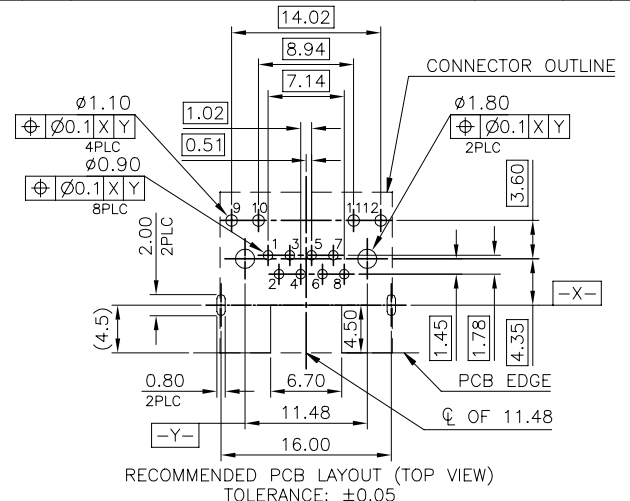
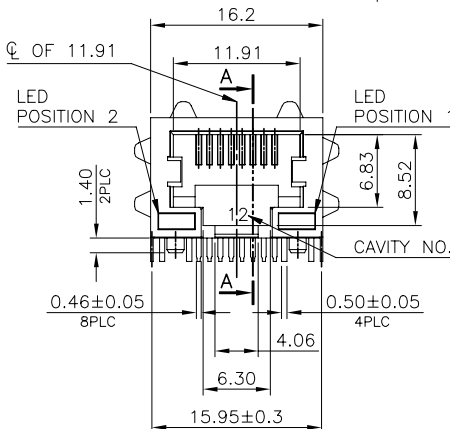
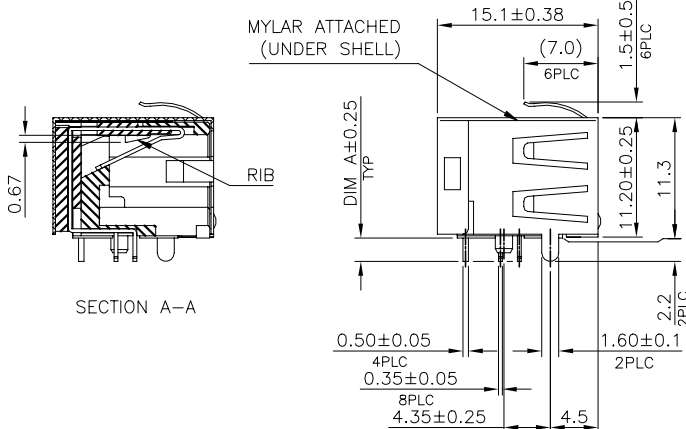
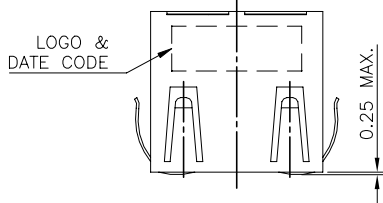
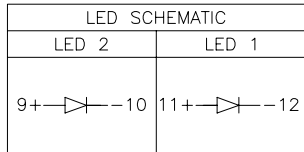
⚠️ OBSOLETE	TRAY	GREEN	ORANGE/ GREEN	1.27µm[50u"]	4-1734324-4	
				0.762µm[30u"]	4-1734324-3	
				0.381µm[15u"]	4-1734324-2	
				0.152µm[6u"]	4-1734324-1	
	PACKAGE		POSITION 2 INDICATOR COLOR	POSITION 1	MIN. GOLD THICKNESS	PART NUMBER

THIS DRAWING IS A CONTROLLED DOCUMENT.

DIMENSIONS: mm	TOLERANCES UNLESS OTHERWISE SPECIFIED: 0 PLC ± 1 PLC ±0.3 2 PLC ±0.2 3 PLC ±0.15 4 PLC ± ANGLES ±3°	DWN				
MATERIAL	FINISH	CHK	NAME			
		APVD	MODULAR JACK CONNECTOR RJ45 WITH LED, 8P8C, SHIELDED TAB DOWN, DIP TYPE, H=11.3mm			
		PRODUCT SPEC	SIZE	CAGE CODE	DRAWING NO	RESTRICTED TO
		APPLICATION SPEC	A3	00779	C=1734324	
		WEIGHT	CUSTOMER DRAWING		SCALE	SHEET
		CUSTOMER DRAWING			3 OF 7	REV A6

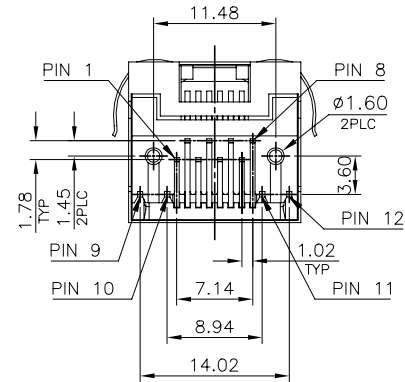
THIS DRAWING IS UNPUBLISHED. RELEASED FOR PUBLICATION
 © COPYRIGHT 2010 BY TYCO ELECTRONICS CORPORATION. ALL RIGHTS RESERVED.

LOC		DIST		REVISIONS			
P	LTR	DESCRIPTION		DATE	DWN	APVD	
DW		SEE SHEET 1.					



RECOMMENDED PCB THICKNESS	DIM A
1.6	2.2
2.0	3.5

- NOTE:
- MATERIAL:
 - HOUSING: PA46, WITH 30% GF, UL94 V-0, BLACK COLOR.
 - INSERT HOUSING: PA46, WITH 30% GF, UL94 V-0, BLACK COLOR.
 - CONTACTS: PHOSPHOR BRONZE.
 - SHELL: BRASS.
 - LED SOLDER TAIL: STEEL.
 - MYLAR: SILICONE POLYMER.
 - FINISH:
 - CONTACTS: (SEE TABLE) GOLD PLATED ON CONTACT AREA. GOLD FLASH ON SOLDER TAIL. 1.27µm [50u"] MIN. NICKEL UNDERPLATED OVERALL.
 - SHELL: 0.508µm [20u"] MIN. NICKEL PLATED.
 - LED: 1.02µm [40u"] COPPER UNDERPLATED OVERALL. 0.2032µm [8u"] NICKEL OVERALL. 0.254µm [10u"] SILVER ON BONDING AREA. 0.2032µm [8u"] BRIGHT-TIN ON SOLDER AREA.
 - LED MUST BE REFLOW COMPATIBLE TO FOLLOWING TEMPERATURE PROFILE (FOR 1 CYCLE): ABOVE 160°C FOR 120 SECONDS, PEAKING AT 220°C FOR 10 SECONDS.
 - LED DEFECT RATE IS 6000 PPM MAX. AFTER IR REFLOW PROCESS AS NOTE 3.
 - WAVE SOLDER CAPABLE TO 265°C PER TE SPEC 109-202, CONDITION B.
- ⚠ OBSOLETE PARTS: OBSOLETE CIS STREAMLINING PER D.RENAUD/D.SINISI.



⚠ OBSOLETE	TRAY	3.5	GREEN	YELLOW	0.762µm[30u"]	5-1734324-9
					1.27µm[50u"]	5-1734324-8
					0.762µm[30u"]	5-1734324-7
		2.2	YELLOW	GREEN	0.381µm[15u"]	5-1734324-6
					0.152µm[6u"]	5-1734324-5
			GREEN	YELLOW	1.27µm[50u"]	5-1734324-4
⚠ OBSOLETE	PACKAGE	DIM A	POSITION 2	POSITION 1	MIN. GOLD THICKNESS	PART NUMBER

THIS DRAWING IS A CONTROLLED DOCUMENT.

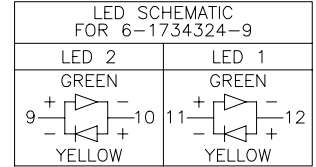
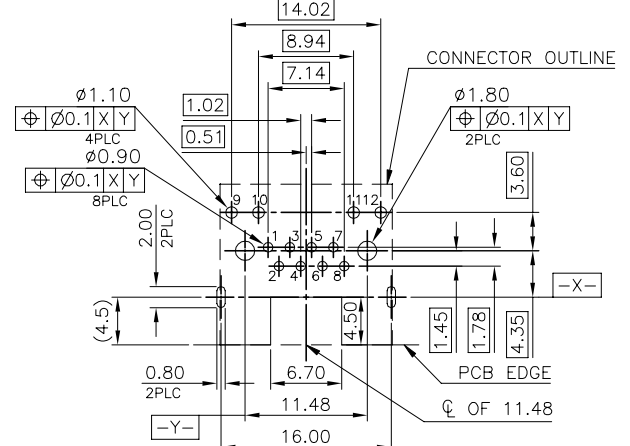
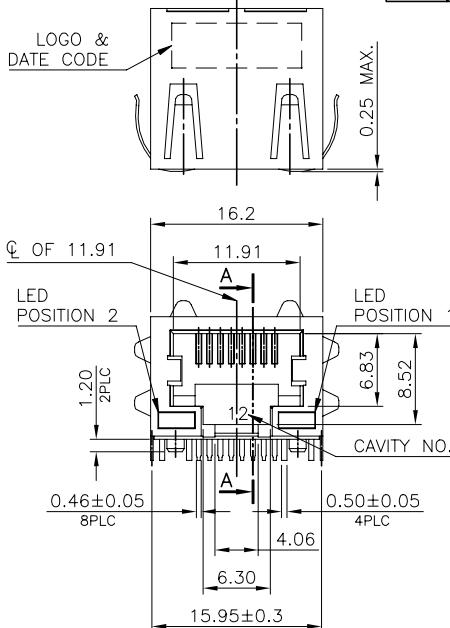
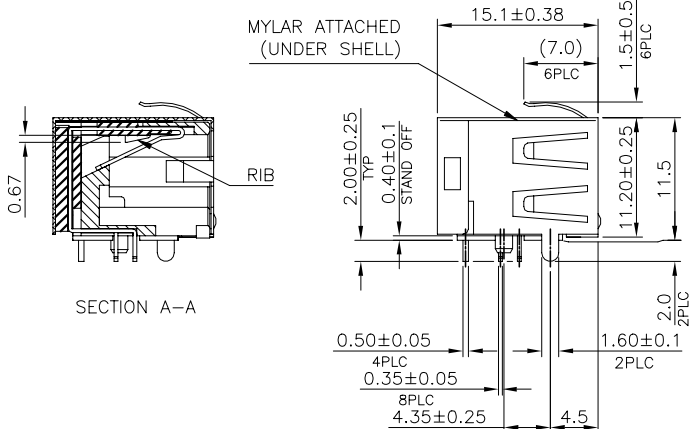
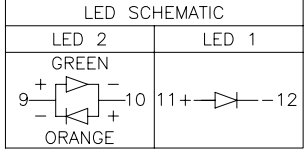
DWN	---
CHK	---
APVD	---
PRODUCT SPEC	---
APPLICATION SPEC	---
WEIGHT	---
CUSTOMER DRAWING	---

TE Connectivity

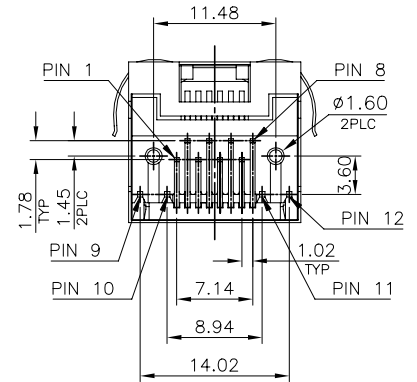
NAME: MODULAR JACK CONNECTOR RJ45 WITH LED, 8P8C, SHIELDED TAB DOWN, DIP TYPE, H=11.3mm

SIZE	CAGE CODE	DRAWING NO	RESTRICTED TO
A3	00779	1734324	---

SCALE: --- SHEET: 4 OF 7 REV: A6



- NOTE:
- MATERIAL:
 - HOUSING: PA9T, WITH 30% GF, UL94 V-0, BLACK COLOR.
 - INSERT HOUSING: PA46, WITH 30% GF, UL94 V-0, BLACK COLOR.
 - CONTACTS: PHOSPHOR BRONZE.
 - SHELL: BRASS.
 - LED SOLDER TAIL: STEEL.
 - MYLAR: SILICONE POLYMER.
 - FINISH:
 - CONTACTS: (SEE TABLE) GOLD PLATED ON CONTACT AREA. GOLD FLASH ON SOLDER TAIL. 1.27um [50u"] MIN. NICKEL UNDERPLATED OVERALL.
 - SHELL: 0.508um [20u"] MIN. NICKEL PLATED.
 - LED: 1.02um [40u"] COPPER UNDERPLATED OVERALL. 0.2032um [8u"] NICKEL OVERALL. 0.254um [10u"] SILVER ON BONDING AREA. 0.2032um [80u"] BRIGHT-TIN ON SOLDER AREA.
 - LED MUST BE REFLOW COMPATIBLE TO FOLLOWING TEMPERATURE PROFILE (FOR 1 CYCLE): ABOVE 160°C FOR 120 SECONDS, PEAKING AT 220°C FOR 10 SECONDS.
 - LED DEFECT RATE IS 6000 PPM MAX. AFTER IR REFLOW PROCESS AS NOTE 3.
 - WAVE SOLDER CAPABLE TO 265°C PER TE SPEC 109-202, CONDITION B.



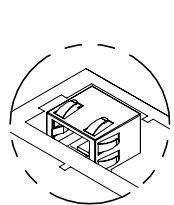
TAPE & REEL	GREEN/YELLOW	GREEN/YELLOW	1.27um[50u"]	6-1734324-9
	TRAY	GREEN/ORANGE	YELLOW	1.27um[50u"]
0.762um[30u"]				6-1734324-7
0.381um[15u"]				6-1734324-6
0.152um[6u"]				6-1734324-5
1.27um[50u"]				6-1734324-4
0.762um[30u"]				6-1734324-3
PACKAGE	POSITION 2	POSITION 1	MIN. GOLD THICKNESS	PART NUMBER
	INDICATOR COLOR			

THIS DRAWING IS A CONTROLLED DOCUMENT.

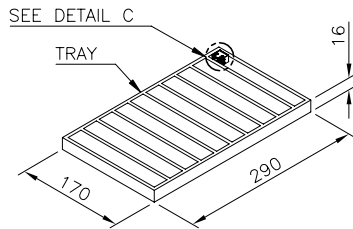
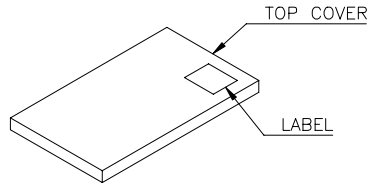
DIMENSIONS: mm	TOLERANCES UNLESS OTHERWISE SPECIFIED:	DWN	TE Connectivity
0 PLC ±0.3	1 PLC ±0.2	CHK	NAME
2 PLC ±0.15	3 PLC ±0.15	APVD	MODULAR JACK CONNECTOR
4 PLC ±0.15	ANGLES ±3°	PRODUCT SPEC	RJ45 WITH LED, 8P8C, SHIELDED
MATERIAL	FINISH	APPLICATION SPEC	TAB DOWN, DIP TYPE, H=11.3mm
		WEIGHT	SIZE A3 CAGE CODE 00779 DRAWING NO. 1734324 RESTRICTED TO
		CUSTOMER DRAWING	SCALE SHEET 5 OF 7 REV A6

THIS DRAWING IS UNPUBLISHED. RELEASED FOR PUBLICATION
 © COPYRIGHT 2010 BY TYCO ELECTRONICS CORPORATION. ALL RIGHTS RESERVED.

LOC DW	DIST	REVISIONS		
P	LTR	DESCRIPTION	DATE	DWN
		SEE SHEET 1.		APVD

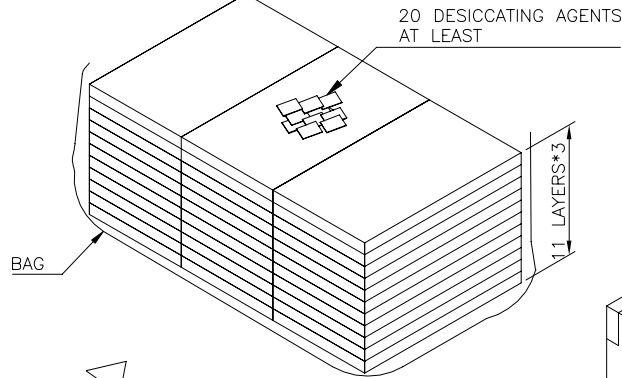


DETAIL C

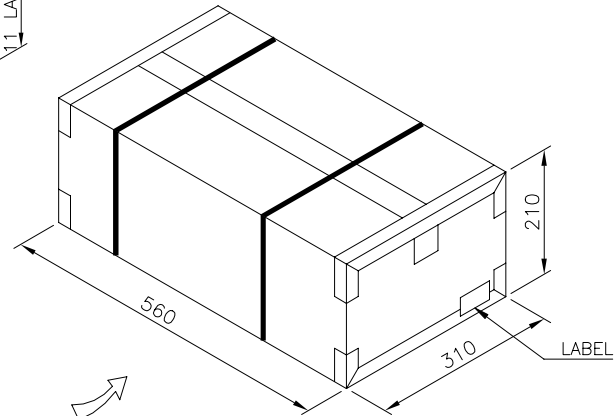


SEE DETAIL C

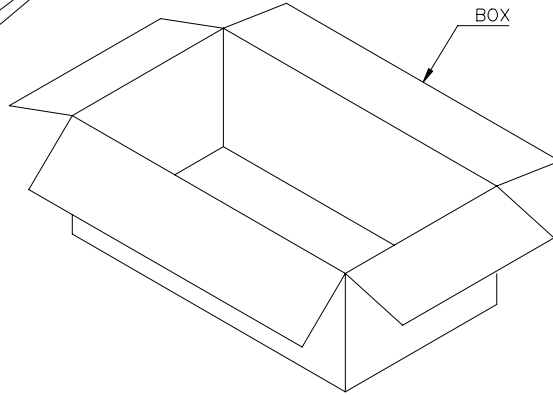
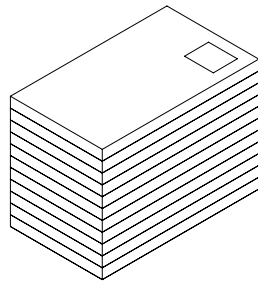
TRAY



20 DESICCATING AGENTS AT LEAST



BOX



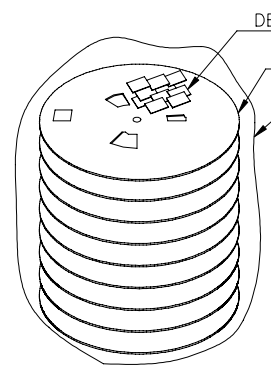
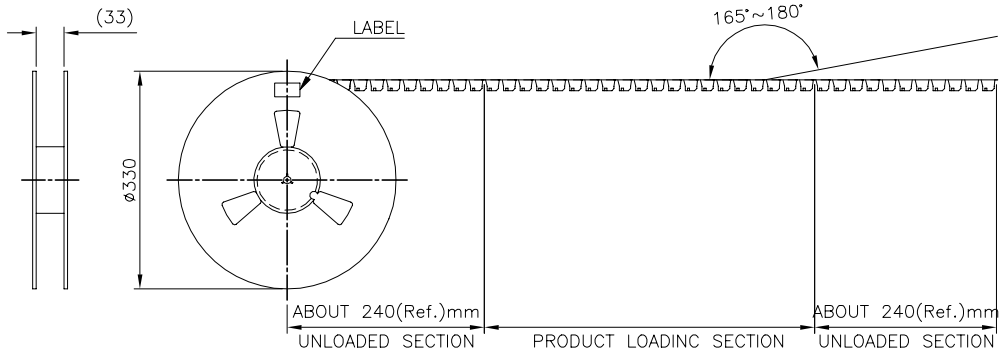
13Kg	11.1Kg	80	33	2640	6-1734324-1~4
14.5Kg	12.5Kg	90	33		7-1734324-X
					4-1734324-X
					2-1734324-X
					1734324-X
GROSS WEIGHT	NET WEIGHT	PCS /TRAY	TRAY /BOX	PCS /BOX	PART NUMBER

- NOTES:
 1. MATERIAL:
 TRAY: PVC.
 BOX: CORRUGATED FIBER.
 2. DIMENSION: SEE DRAWING
 3. QUANTITY: SEE TABLE
 4. WEIGHT: SEE TABLE

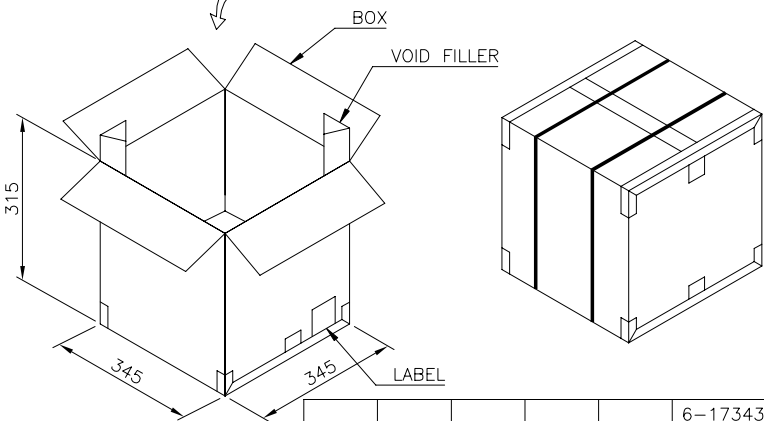
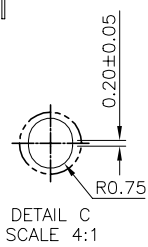
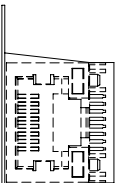
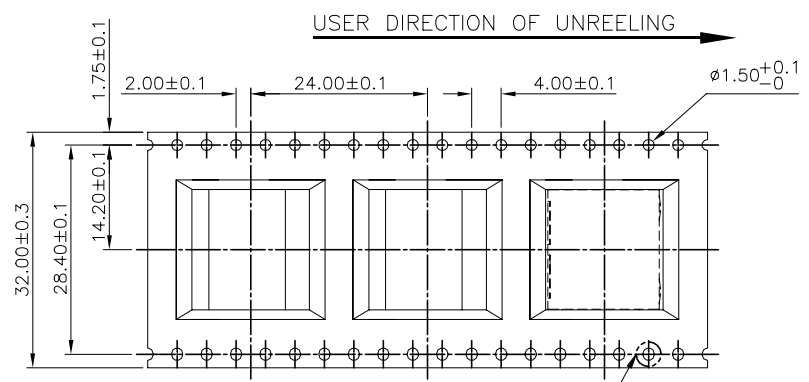
THIS DRAWING IS A CONTROLLED DOCUMENT.		DWN		TE Connectivity	
DIMENSIONS: mm		CHK			
TOLERANCES UNLESS OTHERWISE SPECIFIED:		APVD		NAME	
0 PLC ± 0.3 1 PLC ± 0.2 2 PLC ± 0.15 3 PLC ± 0.15 4 PLC ± 0.15 ANGLES ± 3°		PRODUCT SPEC		MODULAR JACK CONNECTOR	
MATERIAL		APPLICATION SPEC		RJ45 WITH LED, 8P8C, SHIELDED	
FINISH		WEIGHT		TAB DOWN, DIP TYPE, H=11.3mm	
		CUSTOMER DRAWING		SIZE A3	RESTRICTED TO
				CAGE CODE 00779	
				DRAWING NO C=1734324	
				SCALE	SHEET 6 OF 7
				REV A6	

THIS DRAWING IS UNPUBLISHED. RELEASED FOR PUBLICATION
 © COPYRIGHT 2010 BY TYCO ELECTRONICS CORPORATION. ALL RIGHTS RESERVED.

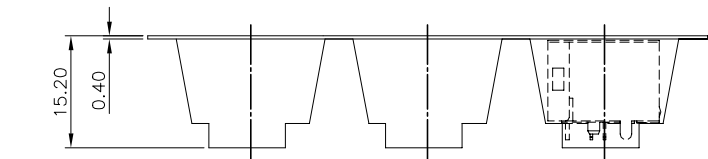
LOC	DIST	REVISIONS					
DW		P	LTR	DESCRIPTION	DATE	DWN	APVD
		SEE SHEET 1.					



- NOTE:
- EACH BAG SHALL BE INCLUDED:
*DESICCANT
 - PEELING STRENGTH: 0.1~1.3N(1~130 GRAMS)
FOR 12~56mm WIDE CARRIER TAPES
 - PEELING SPEED: 300mm/MINUTES.
 - PACKAGING MATERIAL:
 - COVER TAPE—COMPOSITE OF POLYETHYLENE TEREPHTHALATE (PET)
 - CARRIER—POLYSTYRENE (PS)
 - CARRIER REEL—POLYSTYRENE



8.5KG	6.1KG	180	8	1440	6-1734324-5~9
					3-1734324-X
					1-1734324-X
GROSS WEIGHT	NET WEIGHT	PCS /REEL	REEL /BOX	PCS /BOX	PART NUMBER



THIS DRAWING IS A CONTROLLED DOCUMENT.

DIMENSIONS: mm	TOLERANCES UNLESS OTHERWISE SPECIFIED:	DWN	TE Connectivity	
0 PLC ±	1 PLC ±0.3	CHK	NAME	
2 PLC ±0.2	3 PLC ±0.15	APVD	MODULAR JACK CONNECTOR	
4 PLC ±	ANGLES ±3°	PRODUCT SPEC	RJ45 WITH LED, 8P8C, SHIELDED	
MATERIAL	FINISH	APPLICATION SPEC	SIZE	CAGE CODE
		WEIGHT	A3	00779
		CUSTOMER DRAWING	DRAWING NO	RESTRICTED TO
			C=1734324	
			SCALE	SHEET
				7 OF 7
				REV A6