

# Device connector, front mounting - HC-26P1N122300 - 1590276

Please be informed that the data shown in this PDF Document is generated from our Online Catalog. Please find the complete data in the user's documentation. Our General Terms of Use for Downloads are valid (<http://phoenixcontact.com/download>)



Device connector, front mounting, straight, Screw locking, M27, number of positions: 26, type of contact: Pin, Solder connection, Flat gasket, 4x Ø 3.2, shielded: yes

RoHS

## Key Commercial Data

Packing unit	24 pc
GTIN	
GTIN	4046356186520

## Technical data

### General

Type of locking	Screw locking
Insertion/withdrawal cycles mechanical	50
Direction of rotation of contact chamber numbering	Standard
Coding	N
Contact connection method	Solder connection
Type of contacts	Pin
Number of positions	26
Contact diameter of power contacts	1 mm
Litz wire cross section of power contacts min.	0.08 mm <sup>2</sup>
Litz wire cross section of power contacts max.	1 mm <sup>2</sup>
Nominal current per power contact at 25°C	8 A
Pg housing screw connection	none
Mounting type	4x Ø 3.2

### Ambient conditions

Ambient temperature	-20 °C ... 125 °C
Degree of protection	IP67

### Material

## Device connector, front mounting - HC-26P1N122300 - 1590276

### Technical data

#### Material

Housing material	Turned parts: copper zinc alloy (CuZn), die-cast parts: zinc (GD-Zn)
Insulator material	PA66
Contact material	CuZn
Contact surface	Nickel-plated, gold coating
Gasket and O-ring material	NBR

#### Specifications according to DIN EN 61984:2001

Installation height max.	2000 m
Nominal / operating voltage of power contacts	150 V
Rated surge voltage of power contacts	1.5 kV
Overvoltage category of power contacts	II
Degree of pollution of power contacts	3
Overvoltage category of signal contacts	II
Degree of pollution of signal contacts	3

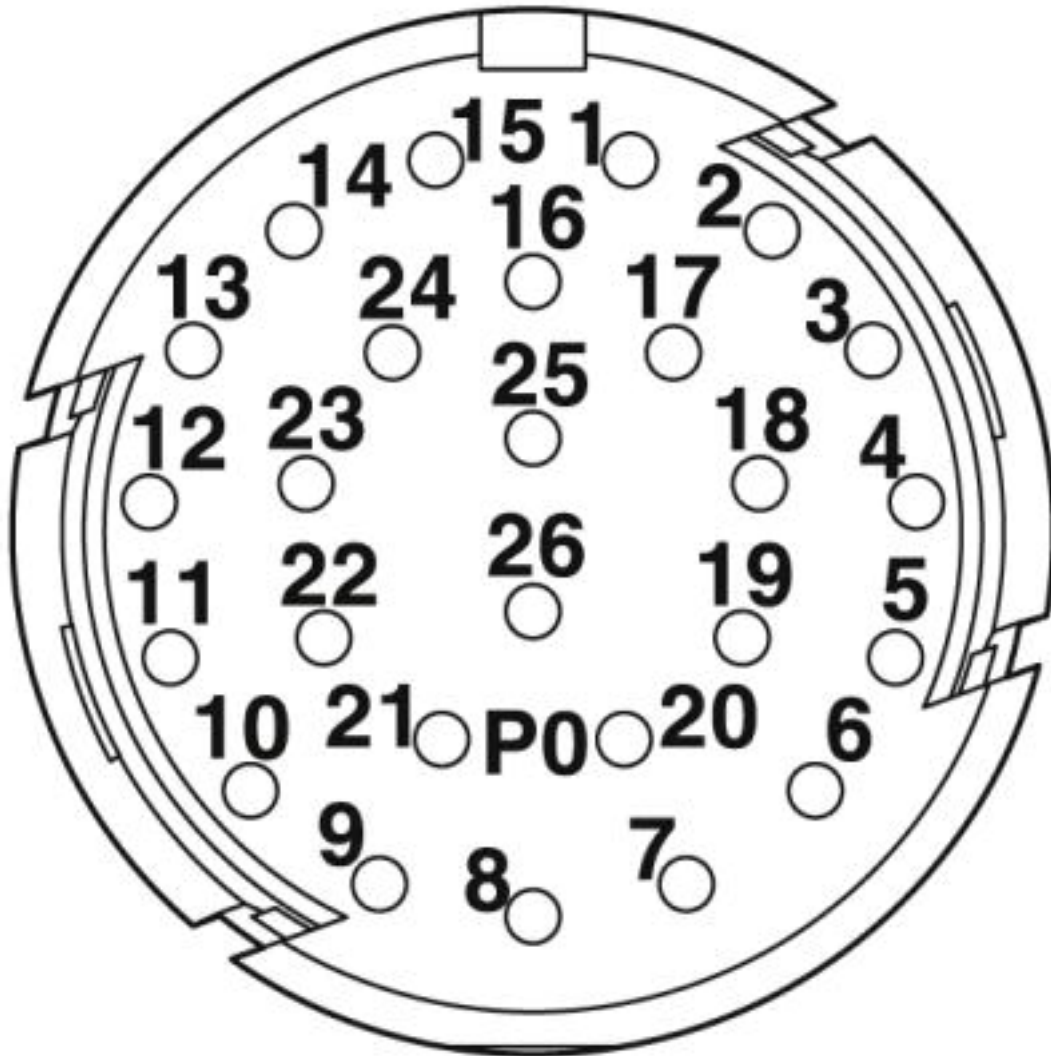
#### Environmental Product Compliance

	Lead 7439-92-1
China RoHS	Environmentally Friendly Use Period = 50
	For details about hazardous substances go to tab "Downloads", Category "Manufacturer's declaration"

### Drawings

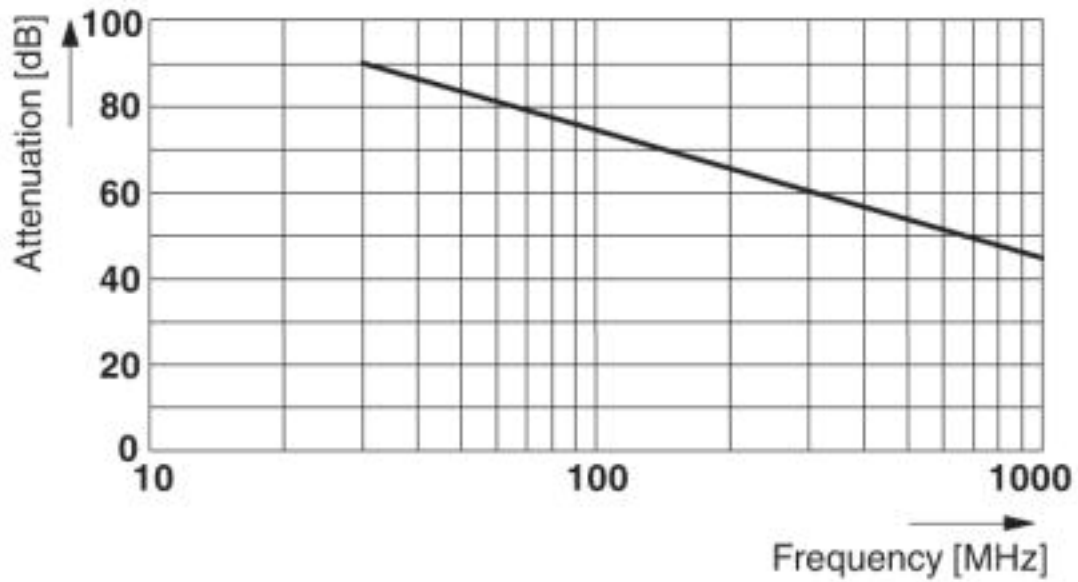
# Device connector, front mounting - HC-26P1N122300 - 1590276

Schematic diagram



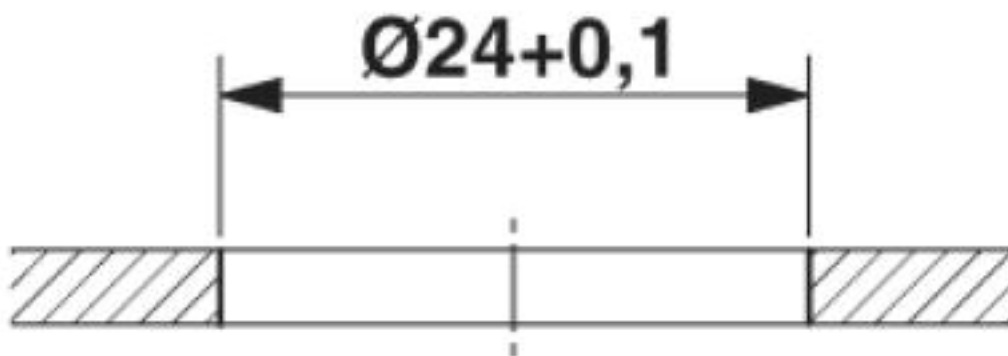
# Device connector, front mounting - HC-26P1N122300 - 1590276

Diagram



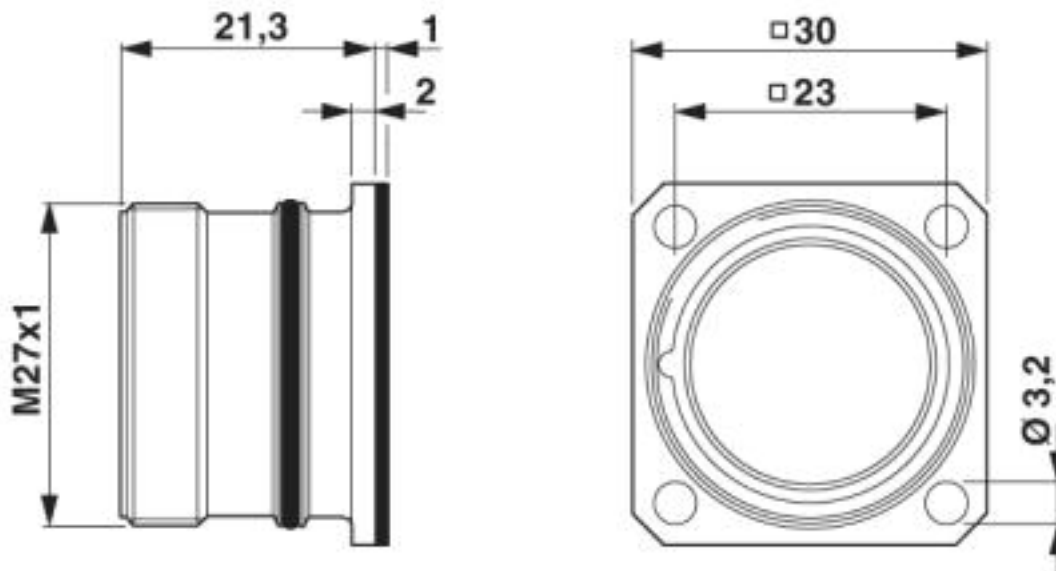
Dimensional drawing

**4xØ3,2/M3/□23±0,1**



# Device connector, front mounting - HC-26P1N122300 - 1590276

Dimensional drawing



## Approvals

Approvals

---

Approvals

EAC

---

Ex Approvals

## Approval details

EAC		B.01742
-----	--	---------

Phoenix Contact 2019 © - all rights reserved  
<http://www.phoenixcontact.com>

PHOENIX CONTACT GmbH & Co. KG  
Flachsmarktstr. 8  
32825 Blomberg  
Germany  
Tel. +49 5235 300  
Fax +49 5235 3 41200  
<http://www.phoenixcontact.com>