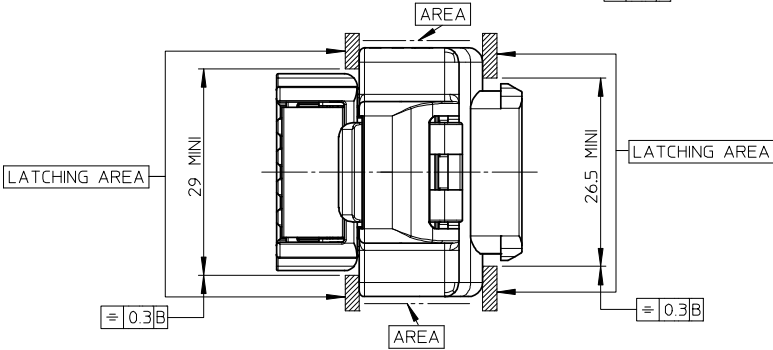
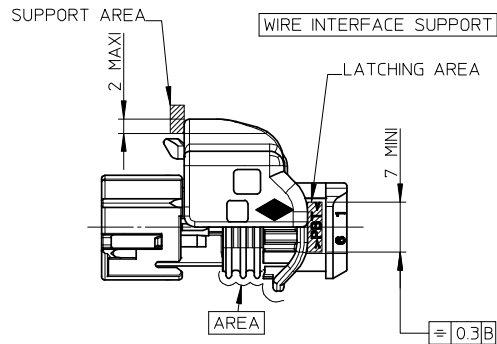
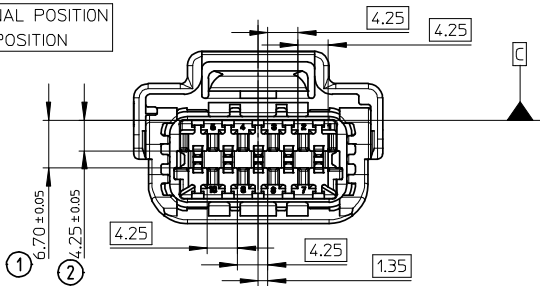


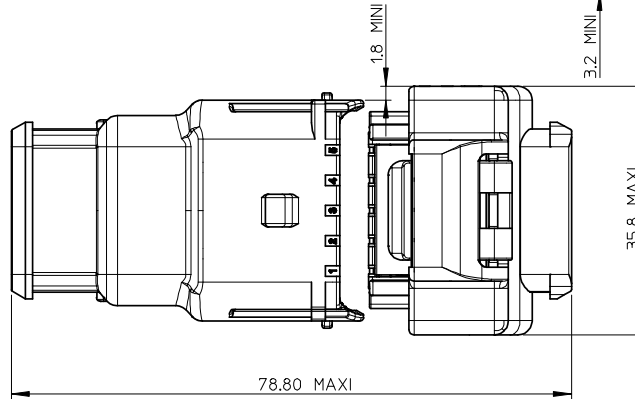
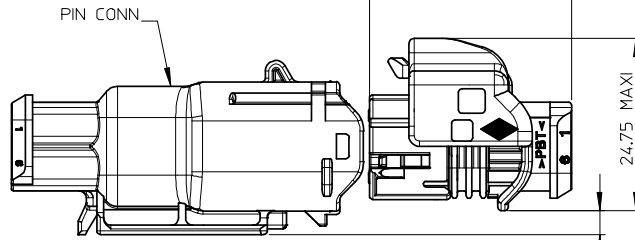
2	GREY	SICMA RCPT CONN SLD W/ 1.5 GRY 10CKT	0987881108
1	BLACK	SICMA RCPT CONN SLD W/ 1.5 BLK 10CKT	0987881101
CODING	COLOR	DESCRIPTION	MATERIAL NUMBER



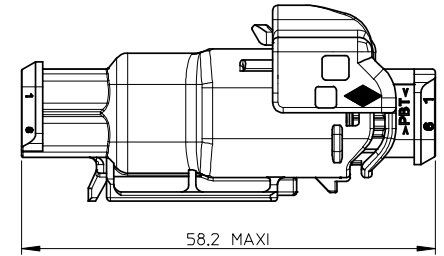
SICMA 2 TERMINAL POSITION AND CAVITIES POSITION



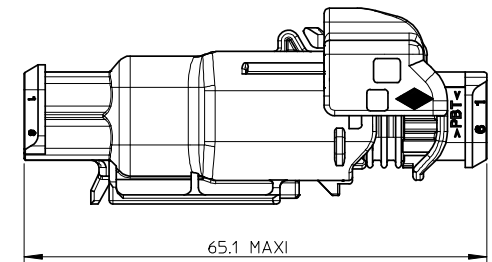
MATING / UNMATING OVERALL DIMENSIONS



OVERALL DIMENSION AFTER LOCK



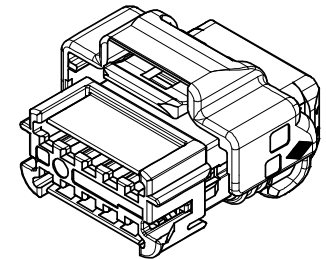
OVERALL DIMENSION BEFORE LOCK



NOTES:

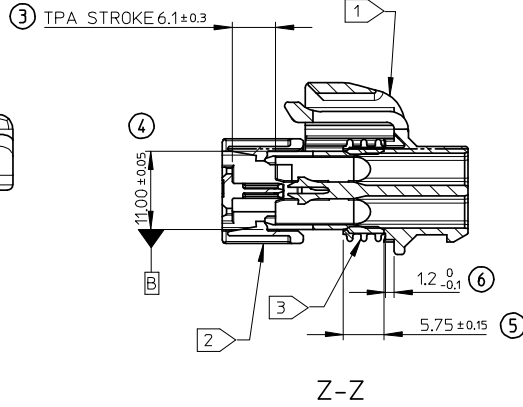
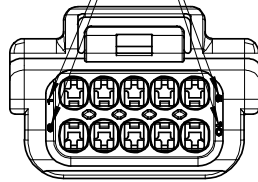
1. MATERIALS: SEE CHART
2. FINISHES: N/A
3. PRODUCT SPECIFICATION: AS-98788-001
4. PACKAGING INFORMATION: PK-98788-002
5. MATES WITH: 0987891101(BLACK), 0987891108(GREY)
6. 2MM2 WIRES NOT ALLOWED FOR THIS PRODUCT
7. CONNECTOR TIGHTENING STRENGTH ON WIRING INTERFACE:
  - 200 TO 250 N WITH PUSH TEST
  - 50 TO 250 WITHOUT PUSH TEST
8. AREAS SHOWN AS: AREA
  - DO NOT LOCK WIRING INTERFACE
  - DO NOT DAMAGE THE PART

ISOMETRIC VIEW



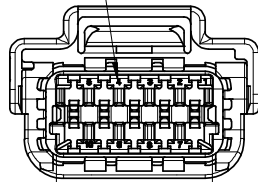
REVISED (MINOR) EC NO: GZ008-0315 DRAWN: VLOUVANCOUR 2008/02/12 CHKD: YIGEL 2008/02/12 APPR: LSTICKEIR 2008/02/13 A1	QUALITY SYMBOLS ▽=0 ▽=0	GENERAL TOLERANCES (UNLESS SPECIFIED)		DIMENSION STYLE MM ONLY		SCALE 2:1	DESIGN UNITS METRIC	FIRST ANGLE PROJECTION	
		mm	INCH	DRAWN BY VLOUVANCOUR	DATE 2007/08/02	TITLE SICMA RCPT CONN SLD W/ 1.5 10CKT	DOCUMENT NO. SD-98788-005	SHEET NO. 1 OF 2	
4 PLACES ± --- ± ---		3 PLACES ± --- ± ---		CHECKED BY YIGEL	DATE 2007/08/02	MATERIAL NO. SEE CHART			
2 PLACES ± --- ± ---		1 PLACE ± 0.2 ± ---		APPROVED BY LSTICKEIR		DATE 2007/08/02		THIS DRAWING CONTAINS INFORMATION THAT IS PROPRIETARY TO MOLEX INCORPORATED AND SHOULD NOT BE USED WITHOUT WRITTEN PERMISSION	
ANGULAR ± 2 °		DRAFT WHERE APPLICABLE MUST REMAIN WITHIN DIMENSIONS		SIZE A2					

CAVITY MARKING



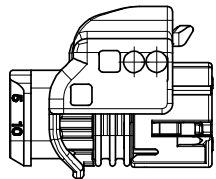
Z-Z

CAVITY MARKING

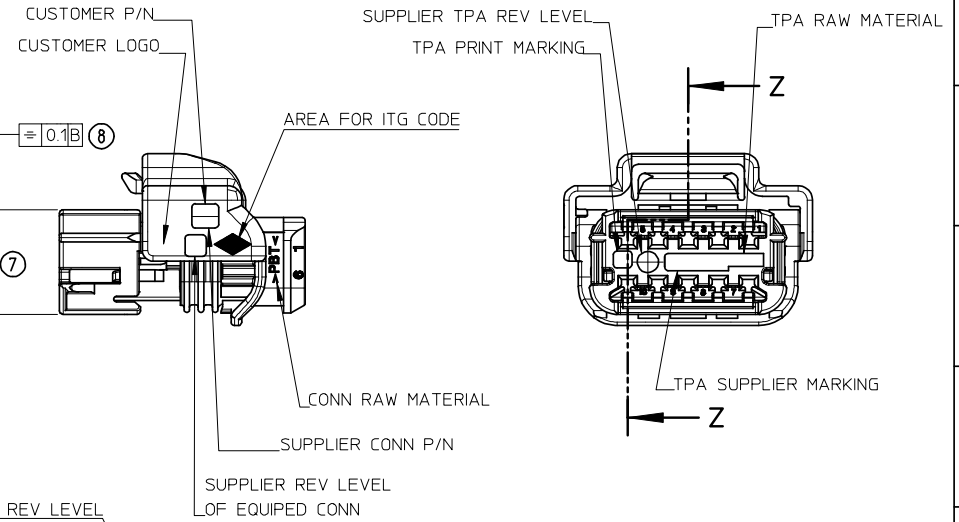


9 21.95 <sup>+0.10</sup> <sub>-0.05</sub>

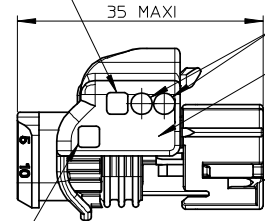
VIEW WITHOUT TPA



VIEW WITH TPA LOCKED

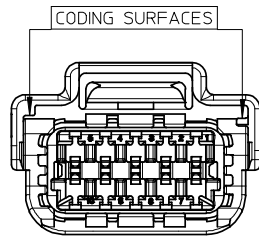
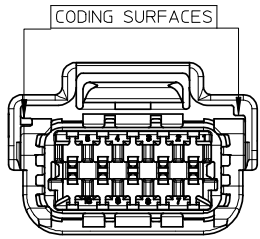


SUPPLIER CONN REV LEVEL

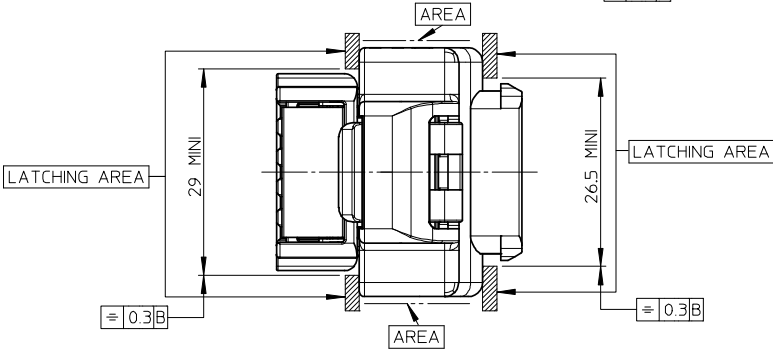
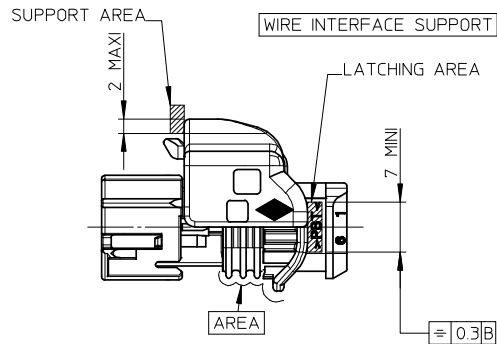


CONN PRINT MARKING

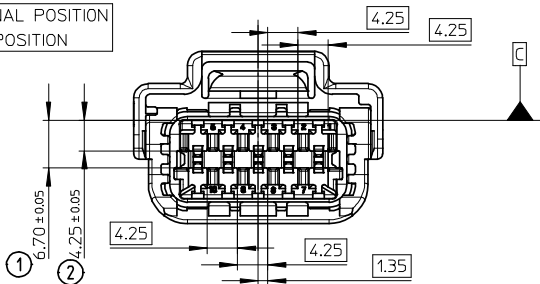
3	1	Piece	SICMA RCPT CONN SLD 10CKT	0987880206	-	SILICONE	0.642g
2	1	Piece	SICMA RCPT CONN TPA YEL 10CKT	0987880114	-	POLYESTER (PBT), UL94 HB	1.469g
1	1	Piece	SICMA RCPT CONN 1.5 GRAY 10CKT	0987880108	-	GREY	7.459g
			SICMA RCPT CONN 1.5 BLK 10CKT	0987880101	-	BLACK	
Item	Amount	Unit	Description	Material-Number	Packing	Material	Weight Calculated
REVISED (MINOR)			QUALITY SYMBOLS		GENERAL TOLERANCES (UNLESS SPECIFIED)		DIMENSION STYLE
EC NO: GZ008-0315			▽=0		MM ONLY		SCALE
DRAWN: VLOUVANCOUR 2008/02/12			▽=0		DRAWN BY: VLOUVANCOUR		DESIGN UNITS
CHKD: YIGEL 2008/02/12					DATE: 2007/08/02		METRIC
APPR: LSTICKEIR 2008/02/13					CHECKED BY: YIGEL		FIRST ANGLE PROJECTION
					DATE: 2007/08/02		TITLE
					APPROVED BY: LSTICKEIR		SICMA RCPT CONN SLD W/ 1.5 10CKT
					DATE: 2007/08/02		MOLEX INCORPORATED
					MATERIAL NO.		DOCUMENT NO.
					SEE CHART		SD-98788-005
					SIZE A2		SHEET NO. 2 OF 2
					THIS DRAWING CONTAINS INFORMATION THAT IS PROPRIETARY TO MOLEX INCORPORATED AND SHOULD NOT BE USED WITHOUT WRITTEN PERMISSION		



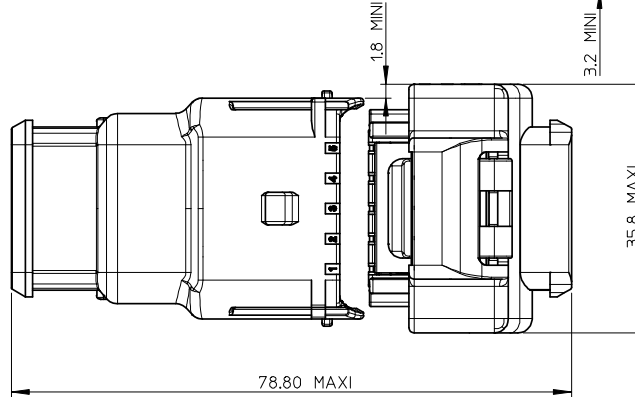
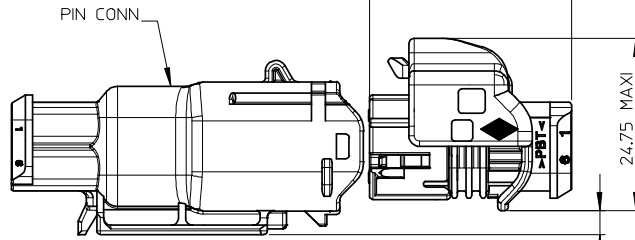
2	GREY	SICMA RCPT CONN SLD W/ 1.5 GRY 10CKT	0987881108
1	BLACK	SICMA RCPT CONN SLD W/ 1.5 BLK 10CKT	0987881101
CODING	COLOR	DESCRIPTION	MATERIAL NUMBER



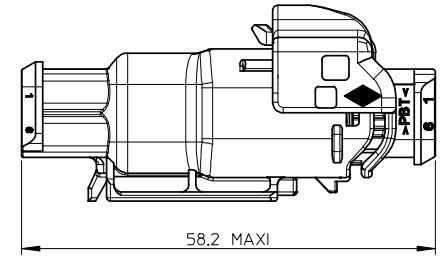
SICMA 2 TERMINAL POSITION AND CAVITIES POSITION



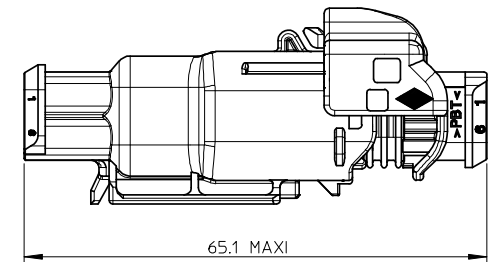
MATING / UNMATING OVERALL DIMENSIONS



OVERALL DIMENSION AFTER LOCK



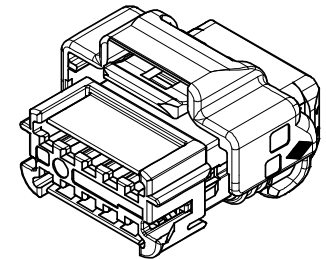
OVERALL DIMENSION BEFORE LOCK



NOTES:

1. MATERIALS: SEE CHART
2. FINISHES: N/A
3. PRODUCT SPECIFICATION: AS-98788-001
4. PACKAGING INFORMATION: PK-98788-002
5. MATES WITH: 0987891101(BLACK), 0987891108(GREY)
6. 2MM2 WIRES NOT ALLOWED FOR THIS PRODUCT
7. CONNECTOR TIGHTENING STRENGTH ON WIRING INTERFACE:
  - 200 TO 250 N WITH PUSH TEST
  - 50 TO 250 WITHOUT PUSH TEST
8. AREAS SHOWN AS: AREA
  - DO NOT LOCK WIRING INTERFACE
  - DO NOT DAMAGE THE PART

ISOMETRIC VIEW



REVISED (MINOR) EC NO: GZ008-0315 DRAWN: VLOUVANCOUR 2008/02/12 CHKD: YIGEL 2008/02/12 APPR: LSTICKEIR 2008/02/13 A1	DESCRIPTION	QUALITY SYMBOLS		GENERAL TOLERANCES (UNLESS SPECIFIED)		DIMENSION STYLE MM ONLY		SCALE 2:1	DESIGN UNITS METRIC	FIRST ANGLE PROJECTION	
		▽=0	▽=0	mm	INCH	DRAWN BY VLOUVANCOUR	DATE 2007/08/02	TITLE SICMA RCPT CONN SLD W/ 1.5 10CKT	DOCUMENT NO. SD-98788-005	SHEET NO. 1 OF 2	
		4 PLACES ±---	±---	ANGULAR ± 2 °		CHECKED BY YIGEL	DATE 2007/08/02	MOLEX INCORPORATED			
		2 PLACES ±---	±---			APPROVED BY LSTICKEIR	DATE 2007/08/02	THIS DRAWING CONTAINS INFORMATION THAT IS PROPRIETARY TO MOLEX INCORPORATED AND SHOULD NOT BE USED WITHOUT WRITTEN PERMISSION			
		1 PLACE ±0.2	±---			MATERIAL NO.					

