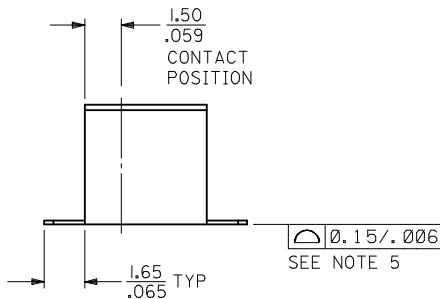
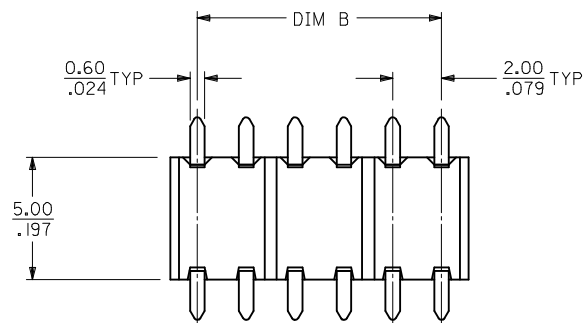
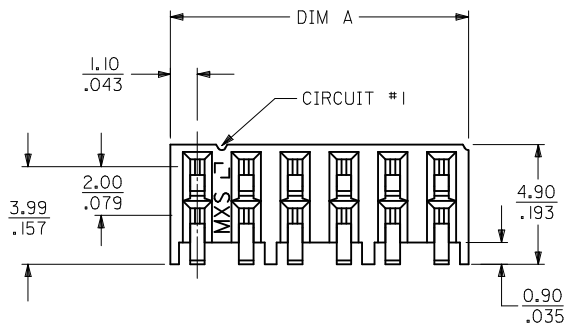
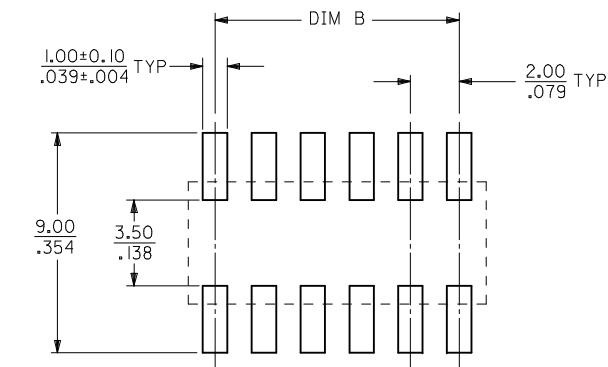


PART NUMBER IN TAPE/REEL	PART NUMBER IN TAPE/REEL	CKT. SIZE	DIM A	DIM B	W	EMBOSSED TYPE
0.76um/30u" GOLD	0.38um/15 u" GOLD					
-	87368-1110	10	10.20/0.402	8.00/0.315	24.00/0.945	A
-	87368-1112	12	12.20/0.480	10.00/0.394	24.00/0.945	A
87368-0320	87368-1120	20	20.20/0.795	18.00/0.709	32.00/1.260	B
-	87368-1140	40	40.20/1.583	38.00/1.496	56.00/2.205	C
-	87368-1150	50	50.20/1.976	48.00/1.890	72.00/2.835	B



NOTE:

- MATERIAL: HOUSING - NYLON, GLASS FILLED, UL94V-0  
COLOR: BLACK  
TERMINAL - PHOSPHOR BRONZE
- FINISHES: TERMINAL - SELECTIVE GOLD IN THE CONTACT AREA:  
THICKNESS = SEE TABLE  
2.54um/100um MIN. SELECTIVE TIN  
IN THE PC SOLDER TAIL AREA  
BOTH OVER 1.27um/50um MIN. NICKEL OVERALL
- PRODUCT SPECIFICATION: PS-87264
- CIRCUIT SIZE 12 IS SHOWN FOR ILLUSTRATION ONLY, SEE CHART FOR AVAILABLE CIRCUIT SIZES.
- COPLANARITY OF SOLDER TAIL IS TO BE MEASURED BY RESTING THE PART ON A FLAT GAUGE SURFACE.
- PART MATEABLE TO ALL MILLI-GRID HEADERS WITH MATING PIN LENGTH BETWEEN 2.50mm AND 4.20mm.
- PART IS PACK IN TAPE AND REEL.
- PARTS SHALL BE PACKED IN MOISTURE BARRIER BAG.



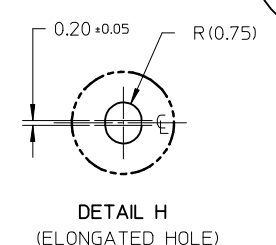
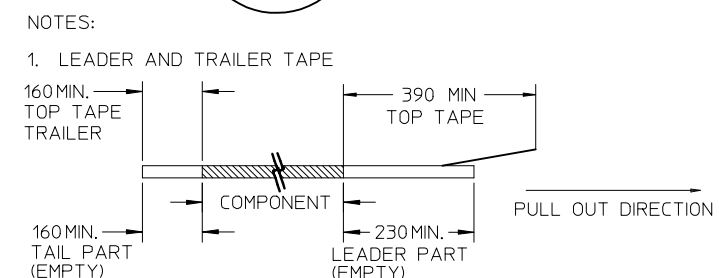
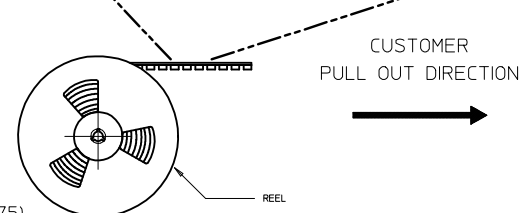
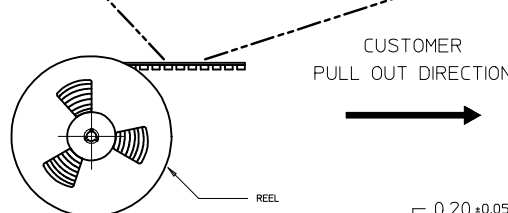
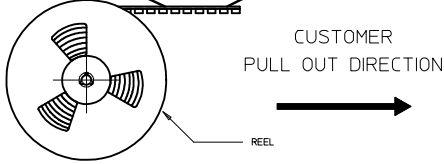
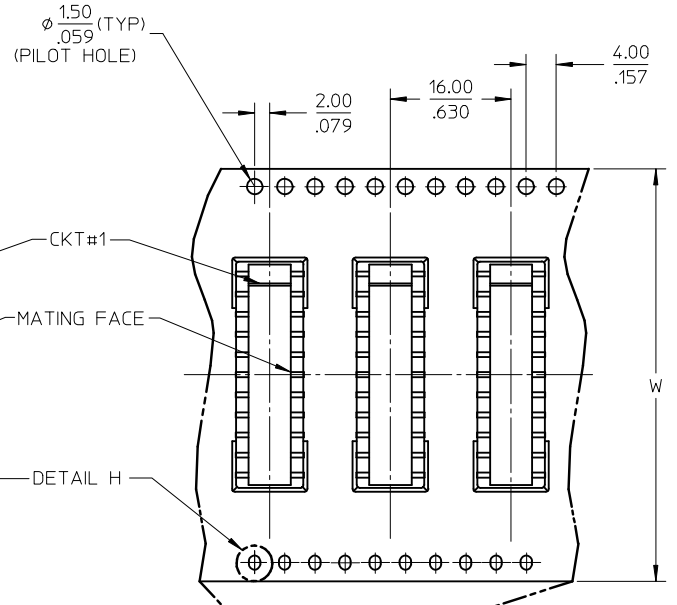
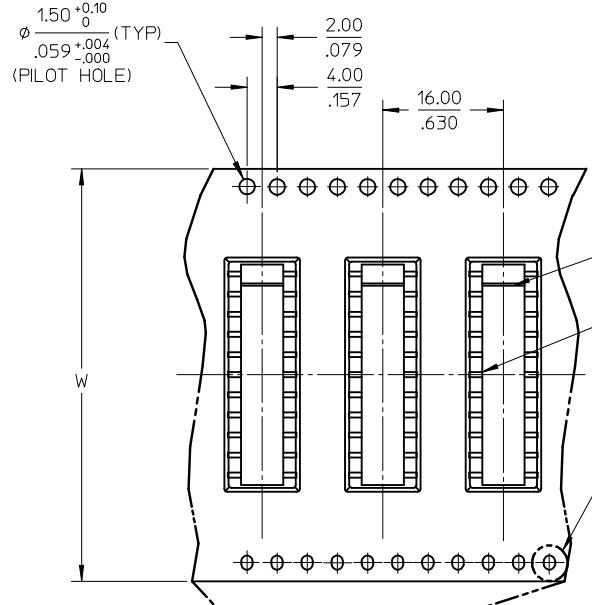
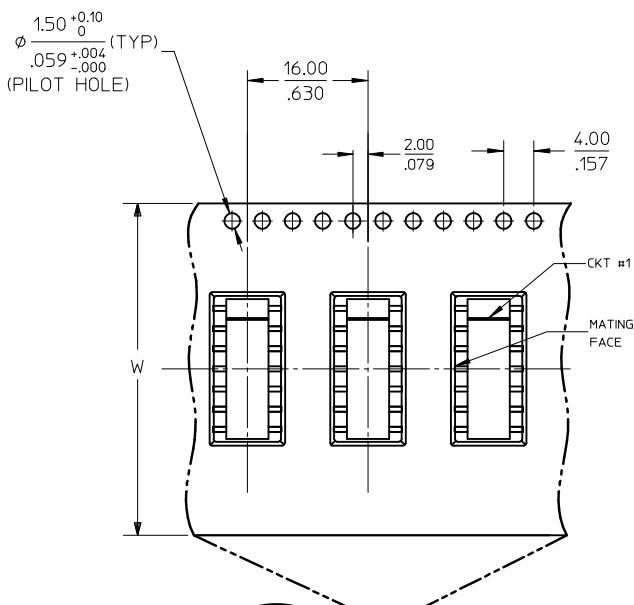
RECOMMENDED PC BOARD LAYOUT

CORRECT PILOT HOLES LOCATION EC NO: S2010-0008 DRWN:SKANG 2009/07/14 CHKD:ATSEE 2009/07/14 APPR:MLONG 2009/07/17	QUALITY SYMBOLS ▽=0 ∇=0	GENERAL TOLERANCES (UNLESS SPECIFIED)		DIMENSION STYLE MM/IN		SCALE NTS	DESIGN UNITS METRIC	THIRD ANGLE PROJECTION		
			mm	INCH	DRAWN BY JSGOH	DATE 1999/02/12	TITLE MGRID SIDE ENTRY RECEPTACLE SMT			
		4 PLACES	± ---	± ---	CHECKED BY LCHANG	DATE 1999/06/10	MATERIAL NO. SD-87368-001			
		3 PLACES	± ---	± .008	APPROVED BY JLIM	DATE 1999/06/17	DOCUMENT NO. SD-87368-001			
		2 PLACES	± 0.20	± ---	DRAFT WHERE APPLICABLE MUST REMAIN WITHIN DIMENSIONS					
		1 PLACE	± ---	± ---	SHEET NO. 1 OF 2					
		ANGULAR ± 3 °		THIS DRAWING CONTAINS INFORMATION THAT IS PROPRIETARY TO MOLEX INCORPORATED AND SHOULD NOT BE USED WITHOUT WRITTEN PERMISSION						

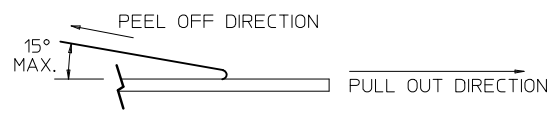
**EMBOSSED TYPE A**

**EMBOSSED TYPE B**

**EMBOSSED TYPE C**

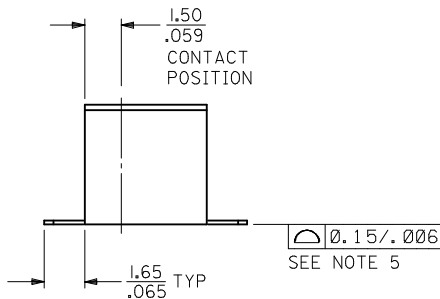
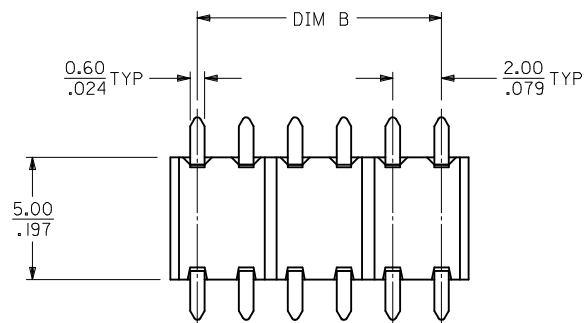
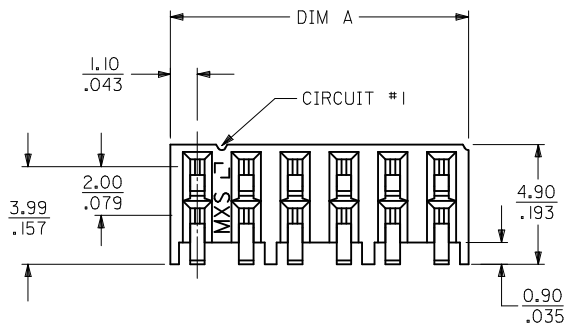


- NOTES:**
- LEADER AND TRAILER TAPE
  - PEELING OFF FORCE OF THE TOP TAPE: 20-80gf. (PEELING DIRECTION AS SHOWN IN FOLLOWING FIGURE)
  - PACKAGING STANDARD IS AS PER EIA-481.
  - TAPE & REEL QUANTITY = 750PCS/REEL



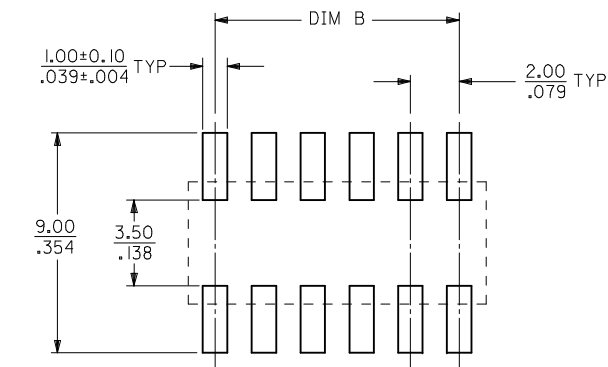
CORRECT PILOT HOLES LOCATION EC NO: S2010-0008 DRWN:SKANG 2009/07/14 CHKD:ATSEE 2009/07/14 APPR:MLONG 2009/07/17	DESCRIPTION D4	QUALITY SYMBOLS ▽=0 ▽=0	GENERAL TOLERANCES (UNLESS SPECIFIED)		DIMENSION STYLE MM/IN		SCALE NTS	DESIGN UNITS METRIC	THIRD ANGLE PROJECTION	
			mm	INCH	DRAWN BY JSGOH	DATE 1999/02/12	TITLE MGRID SIDE ENTRY RECEPTACLE SMT			
			4 PLACES ± --- ± ---	3 PLACES ± --- ± .008	CHECKED BY LCHANG	DATE 1999/06/10				
			2 PLACES ± 0.20 ± ---	1 PLACE ± --- ± ---	APPROVED BY JLIM	DATE 1999/06/17	MATERIAL NO. SEE TABLE			
DRAFT WHERE APPLICABLE MUST REMAIN WITHIN DIMENSIONS			ANGULAR ± 3 °		MATERIAL NO. SEE TABLE		DOCUMENT NO. SD-87368-001		SHEET NO. 2 OF 2	
THIS DRAWING CONTAINS INFORMATION THAT IS PROPRIETARY TO MOLEX INCORPORATED AND SHOULD NOT BE USED WITHOUT WRITTEN PERMISSION										

PART NUMBER IN TAPE/REEL	PART NUMBER IN TAPE/REEL	CKT. SIZE	DIM A	DIM B	W	EMBOSSED TYPE
0.76um/30u" GOLD	0.38um/15 u" GOLD					
-	87368-1110	10	10.20/0.402	8.00/0.315	24.00/0.945	A
-	87368-1112	12	12.20/0.480	10.00/0.394	24.00/0.945	A
87368-0320	87368-1120	20	20.20/0.795	18.00/0.709	32.00/1.260	B
-	87368-1140	40	40.20/1.583	38.00/1.496	56.00/2.205	C
-	87368-1150	50	50.20/1.976	48.00/1.890	72.00/2.835	B



NOTE:

- MATERIAL: HOUSING - NYLON, GLASS FILLED, UL94V-0  
COLOR: BLACK  
TERMINAL - PHOSPHOR BRONZE
- FINISHES: TERMINAL - SELECTIVE GOLD IN THE CONTACT AREA:  
THICKNESS = SEE TABLE  
2.54um/100um MIN. SELECTIVE TIN IN THE PC SOLDER TAIL AREA  
BOTH OVER 1.27um/50um MIN. NICKEL OVERALL
- PRODUCT SPECIFICATION: PS-87264
- CIRCUIT SIZE 12 IS SHOWN FOR ILLUSTRATION ONLY, SEE CHART FOR AVAILABLE CIRCUIT SIZES.
- COPLANARITY OF SOLDER TAIL IS TO BE MEASURED BY RESTING THE PART ON A FLAT GAUGE SURFACE.
- PART MATEABLE TO ALL MILLI-GRID HEADERS WITH MATING PIN LENGTH BETWEEN 2.50mm AND 4.20mm.
- PART IS PACK IN TAPE AND REEL.
- PARTS SHALL BE PACKED IN MOISTURE BARRIER BAG.



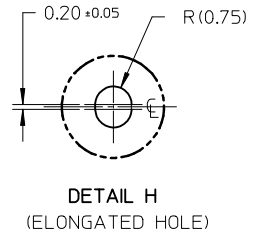
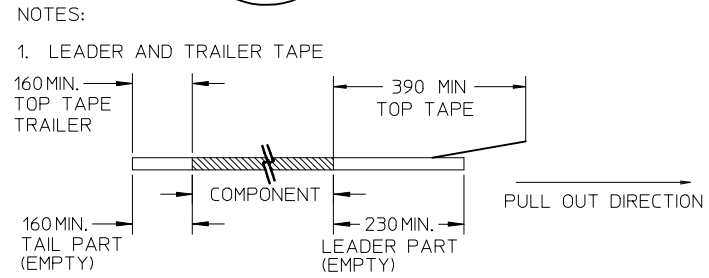
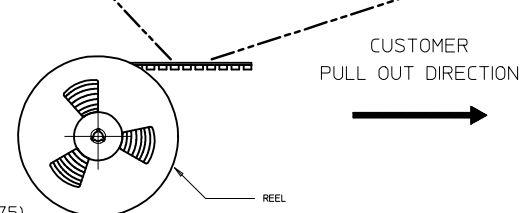
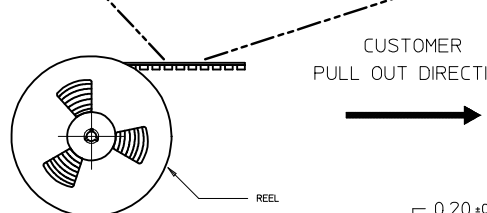
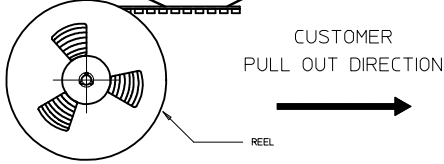
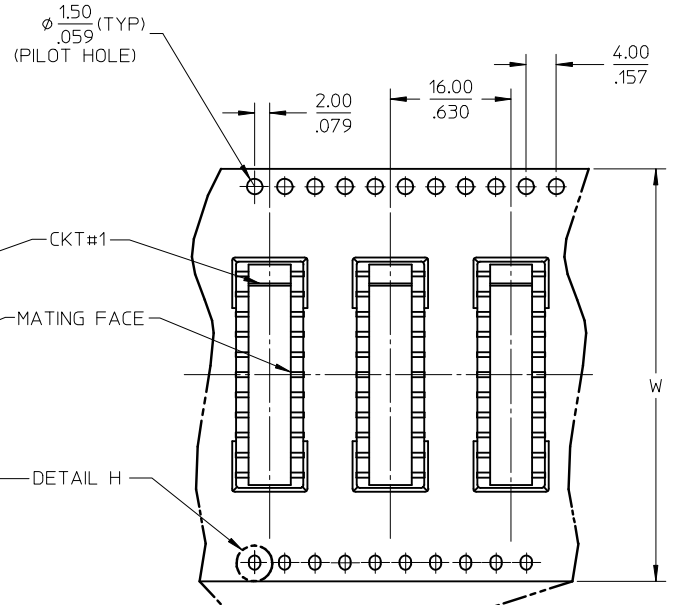
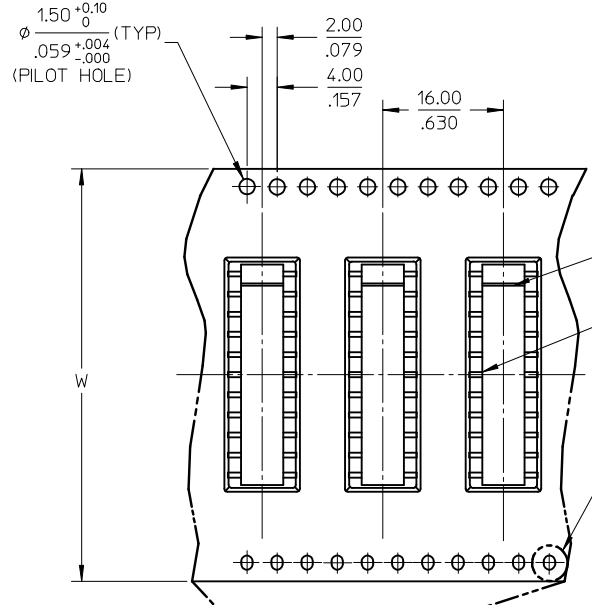
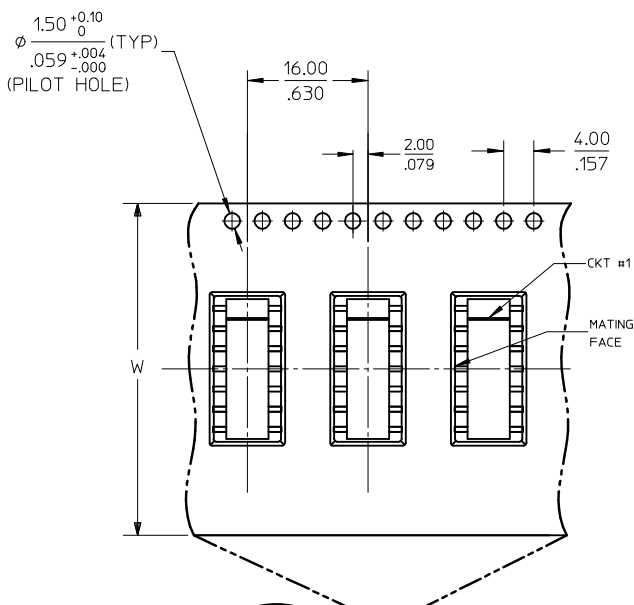
RECOMMENDED PC BOARD LAYOUT

CORRECT PILOT HOLES LOCATION EC NO: S2010-0008 DRWN:SKANG 2009/07/14 CHKD:ATSEE 2009/07/14 APPR:MLONG 2009/07/17	QUALITY SYMBOLS	GENERAL TOLERANCES (UNLESS SPECIFIED)	DIMENSION STYLE	SCALE	DESIGN UNITS	THIRD ANGLE PROJECTION
	DESCRIPTION	mm INCH	MM/IN	NTS	METRIC	
	REV	4 PLACES ± --- ± ---	DRAWN BY DATE	TITLE		
		3 PLACES ± --- ± .008	JSGOH 1999/02/12	MGRID SIDE ENTRY RECEPTACLE SMT		
	2 PLACES ± 0.20 ± ---	CHECKED BY DATE	MOLEX INCORPORATED			
	1 PLACE ± --- ± ---	LCHANG 1999/06/10	DOCUMENT NO. SHEET NO.			
	ANGULAR ± 3 °	APPROVED BY DATE	SD-87368-001 1 OF 2			
		JLIM 1999/06/17	SEE TABLE			
		MATERIAL NO.	THIS DRAWING CONTAINS INFORMATION THAT IS PROPRIETARY TO MOLEX INCORPORATED AND SHOULD NOT BE USED WITHOUT WRITTEN PERMISSION			

**EMBOSSED TYPE A**

**EMBOSSED TYPE B**

**EMBOSSED TYPE C**



- PEELING OFF FORCE OF THE TOP TAPE: 20-80gf. (PEELING DIRECTION AS SHOWN IN FOLLOWING FIGURE)
- 
- PACKAGING STANDARD IS AS PER EIA-481.
  - TAPE & REEL QUANTITY = 750PCS/REEL

CORRECT PILOT HOLES LOCATION EC NO: S2010-0008 DRWN:SKANG 2009/07/14 CHYKD:ATSEE 2009/07/14 APPR:MLONG 2009/07/17	DESCRIPTION D4	QUALITY SYMBOLS	GENERAL TOLERANCES (UNLESS SPECIFIED)	DIMENSION STYLE	SCALE	DESIGN UNITS	THIRD ANGLE PROJECTION	
		▼=0 ▽=0	mm      INCH 4 PLACES ± --- ± --- 3 PLACES ± --- ± .008 2 PLACES ± 0.20 ± --- 1 PLACE ± --- ± --- ANGULAR ± 3 °	MM/IN	NTS	METRIC		
				DRAWN BY: JSGOH      DATE: 1999/02/12	TITLE	MGRID SIDE ENTRY RECEPTACLE SMT MOLEX INCORPORATED		
				CHECKED BY: LCHANG      DATE: 1999/06/10				
				APPROVED BY: JLIM      DATE: 1999/06/17	MATERIAL NO.	DOCUMENT NO.	SHEET NO.	
			DRAFT WHERE APPLICABLE MUST REMAIN WITHIN DIMENSIONS	SEE TABLE		SD-87368-001	2 OF 2	
				SIZE: A3	THIS DRAWING CONTAINS INFORMATION THAT IS PROPRIETARY TO MOLEX INCORPORATED AND SHOULD NOT BE USED WITHOUT WRITTEN PERMISSION			