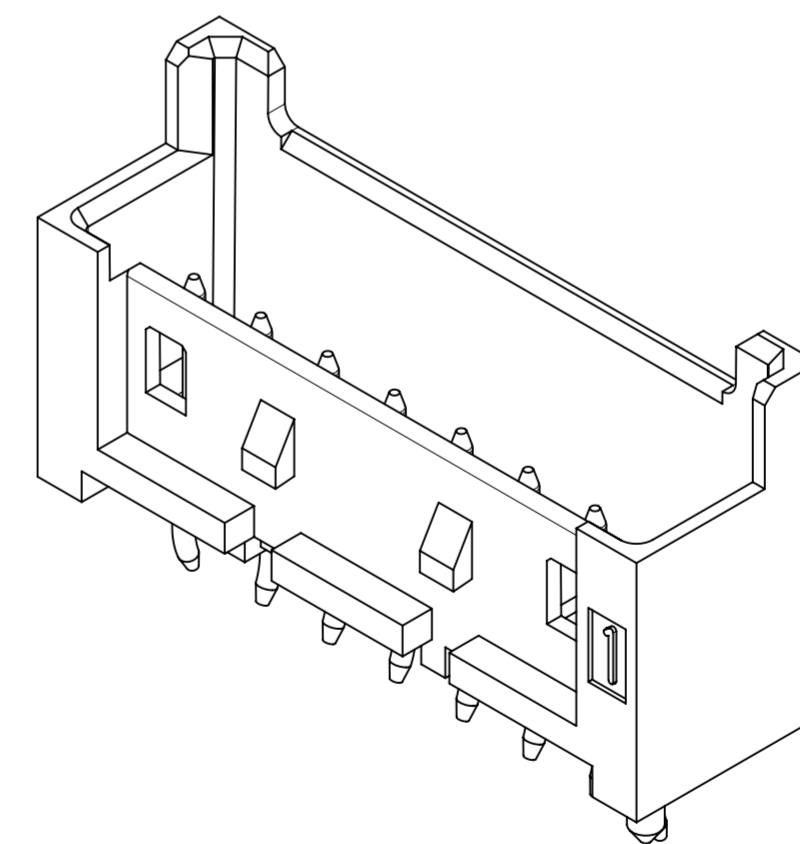


NOTES

- 材料及び仕上げ(めっき仕様): TABLE 1参照  
MATERIAL AND FINISHES: SEE TABLE 1
- 製品仕様書: 511630000-PS 000  
PRODUCT SPECIFICATION: 511630000-PS 000
- 梱包仕様書: 533759200-SPK 200  
PACKAGING SPECIFICATION: 533759200-SPK 200
- 嵌合相手: 51163 シリーズ  
MATES WITH: 51163 SERIES
- アプリケーション仕様書(コネクタ取扱い説明書): 2166940000-AS PS 000  
APPLICATION SPECIFICATION(CONNECTOR MANUAL): 2166940000-AS PS 000
- 偶数極に適合  
APPLY FOR EVEN CIRCUIT
- 3極以上のキंक形状は両サイドが (A)、その他の極はすべて (B) 形状とする  
KINK FORM  
MORE THAN 2 CIRCUIT :  
PINS AT BOTH ENDS ARE KINK FORMED TO (A).  
THE OTHER PINS ARE KINK FORMED TO (B).

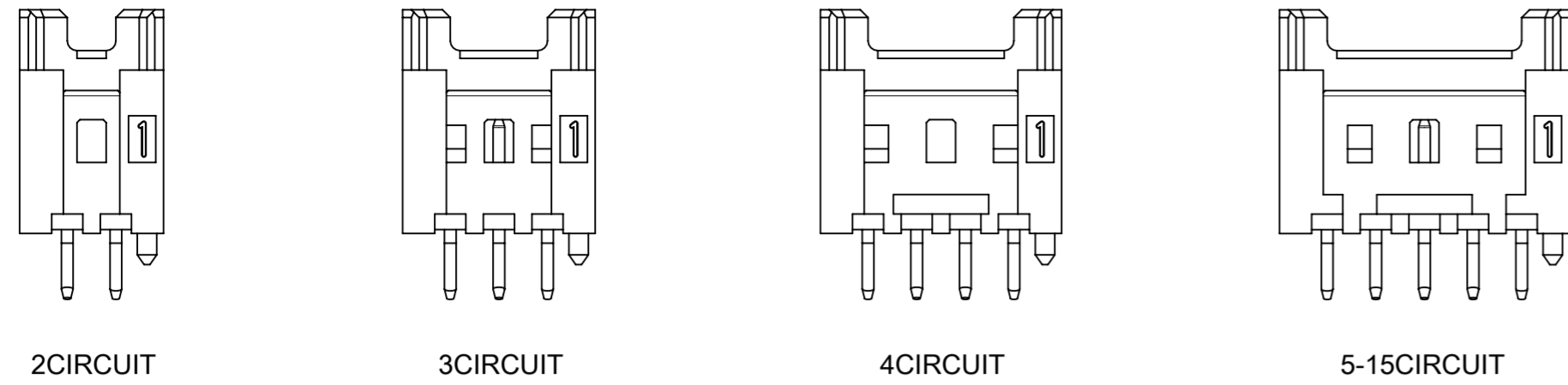


|      |      |      | HOUSING COLOR     |              |
|------|------|------|-------------------|--------------|
|      |      |      | NATURAL(WHITE)    |              |
| 38.2 | 35   | 39.9 | 533751510         | 15           |
| 35.7 | 32.5 | 37.4 | 533751410         | 14           |
| 33.2 | 30   | 34.9 | 533751310         | 13           |
| 30.7 | 27.5 | 32.4 | 533751210         | 12           |
| 28.2 | 25   | 29.9 | 533751110         | 11           |
| 25.7 | 22.5 | 27.4 | 533751010         | 10           |
| 23.2 | 20   | 24.9 | 533750910         | 9            |
| 20.7 | 17.5 | 22.4 | 533750810         | 8            |
| 18.2 | 15   | 19.9 | 533750710         | 7            |
| 15.7 | 12.5 | 17.4 | 533750610         | 6            |
| 13.2 | 10   | 14.9 | 533750510         | 5            |
| 10.7 | 7.5  | 12.4 | 533750410         | 4            |
| 8.2  | 5    | 9.9  | 533750310         | 3            |
| 5.7  | 2.5  | 7.4  | 533750210         | 2            |
| C    | B    | A    | 発注番号              |              |
|      |      |      | ORDER No.         | 極数           |
|      |      |      | 梱包形態: ポリ袋         | CIRCUIT SIZE |
|      |      |      | PACKAGE: POLY BAG |              |

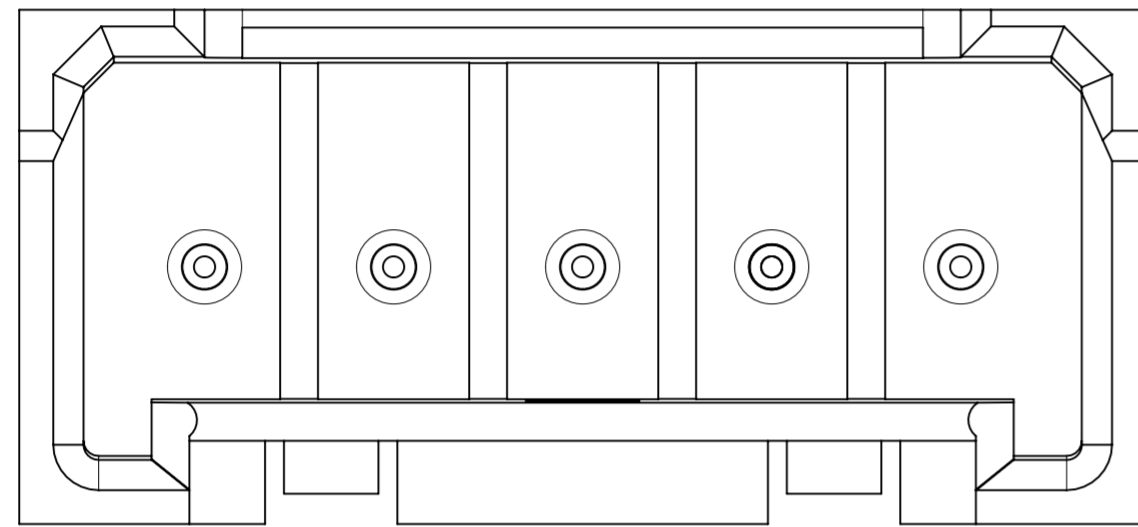
TABLE 1

| 部品 PART                 | 材料 MATERIAL  |              |            |          |
|-------------------------|--|--------------|------------|----------|
| ① プラグハウジング PLUG HOUSING | ポリエステル ガラス含有 UL94 V-0 色: ナチュラル(白)<br>POLYESTER(PBT), GLASS FILLED, UL94 V-0, COLOR: NATURAL(WHITE) |              |            |          |
| ② プラグピン PLUG PIN        | りん青銅<br>PHOSPHOR BRONZE  |              |            |          |
|                         | 錫めっき: 1.0MICRO METER MINIMUM.<br>TIN PLATING: 1.0MICRO METER MINIMUM.                              |              |            |          |
|                         | 銅めっき(下地めっき): 0.5MICRO METER MINIMUM<br>COPPER PLATING(UNDER PLATING): 0.5MICRO METER MINIMUM.      |              |            |          |
| DOCUMENT STATUS         | P1   | RELEASE DATE | 2021/04/06 | 06:45:31 |

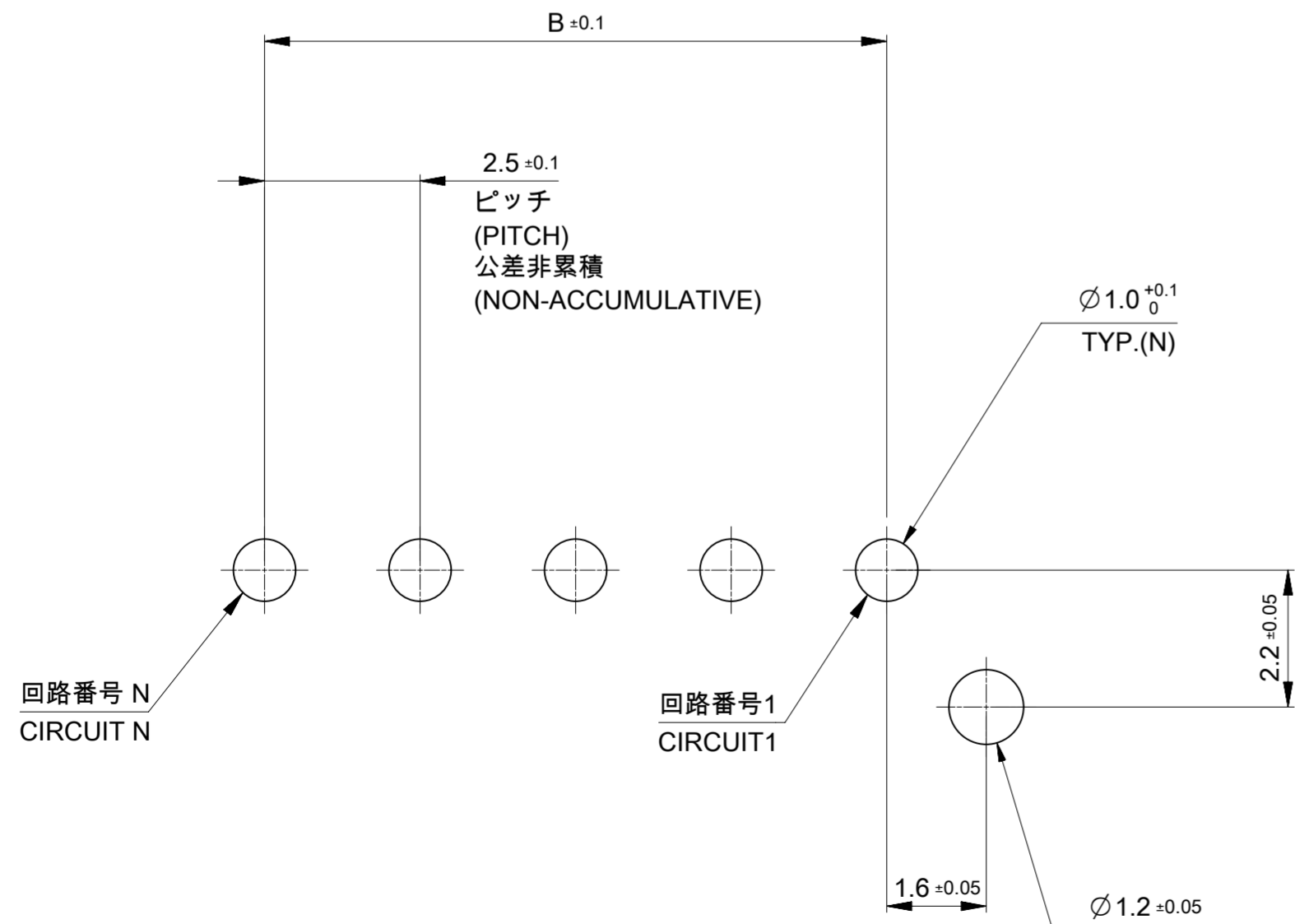
|   |  |                   |  |                        |  |                 |  |                            |  |
|---|--|-------------------|--|------------------------|--|-----------------|--|----------------------------|--|
| THIS DRAWING CONTAINS INFORMATION THAT IS PROPRIETARY TO MOLEX ELECTRONIC TECHNOLOGIES, LLC AND SHOULD NOT BE USED WITHOUT WRITTEN PERMISSION |  |                   |  |                        |  |                 |  |                            |  |
| DIMENSION UNITS   |  | SCALE             |  | CURRENT REV DESC:      |  |                 |  |                            |  |
| mm  |  | NTS               |  |                        |  |                 |  |                            |  |
| GENERAL TOLERANCES (UNLESS SPECIFIED)   |  |                   |  |                        |  |                 |  |                            |  |
| ANGULAR TOL ± 3.0°  |  |                   |  | EC NO: 659548          |  |                 |  |                            |  |
| 4 PLACES ± 0.2  |  | DRWN: RWATANABE01 |  | 2021/03/30             |  |                 |  |                            |  |
| 3 PLACES ± 0.2  |  | CHK'D: AIDA       |  | 2021/04/06             |  |                 |  |                            |  |
| 2 PLACES ± 0.2  |  | APPR: SAKIYAMA    |  | 2021/04/06             |  |                 |  |                            |  |
| 1 PLACE ± 0.2   |  | INITIAL REVISION: |  |                        |  |                 |  |                            |  |
| 0 PLACES ± 0.2  |  | DRWN: RWATANABE01 |  | 2019/05/24             |  |                 |  |                            |  |
|   |  | APPR: SAKIYAMA    |  | 2020/09/28             |  |                 |  |                            |  |
| DRAFT WHERE APPLICABLE MUST REMAIN WITHIN DIMENSIONS  |  |                   |  | THIRD ANGLE PROJECTION |  | DRAWING         |  | SERIES                     |  |
|   |  | A2-SIZE           |  | 53375                  |  | MATERIAL NUMBER |  | CUSTOMER                   |  |
|   |  |                   |  |                        |  | 533750000-SD    |  | GENERAL                    |  |
|   |  |                   |  |                        |  | DOCUMENT NUMBER |  | DOC TYPE DOC PART REVISION |  |
|   |  |                   |  |                        |  | PSD             |  | 000 C                      |  |
|   |  |                   |  |                        |  | SHEET NUMBER    |  | 1 OF 2                     |  |



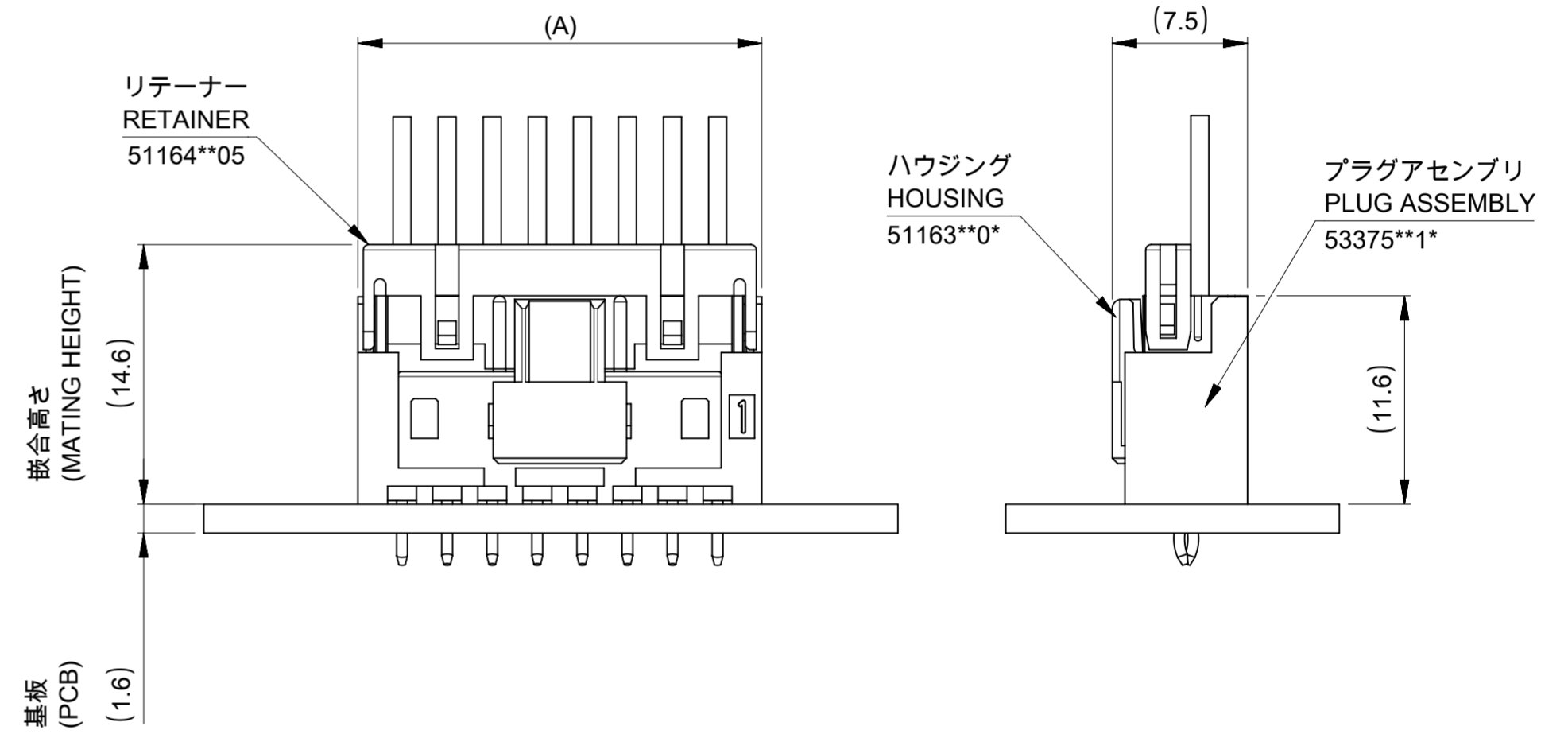
ロック形状図  
LOCK CONFIGURATION



製品レイアウト  
PRODUCT LAYOUT



基板取付穴推奨寸法(マウント面)  
RECOMMENDED PCB HOLE DIMENSION  
(MOUNTING SIDE), (t=1.6)



嵌合図  
MATED CONNECTORS

|   |          |                        |            |  |                 |          |              |  |  |              |  |  |  |  |  |  |  |                          |  |  |  |                 |          |          |          |              |     |     |   |                 |          |              |  |       |         |        |  |
|---|----------|------------------------|------------|--|-----------------|----------|--------------|--|--|--------------|--|--|--|--|--|--|--|--------------------------|--|--|--|-----------------|----------|----------|----------|--------------|-----|-----|---|-----------------|----------|--------------|--|-------|---------|--------|--|
| THIS DRAWING CONTAINS INFORMATION THAT IS PROPRIETARY TO MOLEX ELECTRONIC TECHNOLOGIES, LLC AND SHOULD NOT BE USED WITHOUT WRITTEN PERMISSION |          |                        |            |  |                 |          |              |  |  |              |  |  |  |  |  |  |  |                          |  |  |  |                 |          |          |          |              |     |     |   |                 |          |              |  |       |         |        |  |
| DIMENSION UNITS   |          | SCALE                  |            | CURRENT REV DESC:  |                 |          |              |  |  |              |  |  |  |  |  |  |  |                          |  |  |  |                 |          |          |          |              |     |     |   |                 |          |              |  |       |         |        |  |
| mm  |          | NTS                    |            | <table border="1"> <tr> <td colspan="4"><b>molex</b></td> </tr> <tr> <td colspan="4">MINI-LOCK 2.5 W/B<br/>SINGLE ROW VERTICAL PLUG ASSEMBLY</td> </tr> <tr> <td colspan="4">PRODUCT CUSTOMER DRAWING</td> </tr> <tr> <td>DOCUMENT NUMBER</td> <td>DOC TYPE</td> <td>DOC PART</td> <td>REVISION</td> </tr> <tr> <td>533750000-SD</td> <td>PSD</td> <td>000</td> <td>C</td> </tr> <tr> <td>MATERIAL NUMBER</td> <td>CUSTOMER</td> <td colspan="2">SHEET NUMBER</td> </tr> <tr> <td>53375</td> <td>GENERAL</td> <td colspan="2">2 OF 2</td> </tr> </table> |                 |          |              |  |  | <b>molex</b> |  |  |  | MINI-LOCK 2.5 W/B<br>SINGLE ROW VERTICAL PLUG ASSEMBLY |  |  |  | PRODUCT CUSTOMER DRAWING |  |  |  | DOCUMENT NUMBER | DOC TYPE | DOC PART | REVISION | 533750000-SD | PSD | 000 | C | MATERIAL NUMBER | CUSTOMER | SHEET NUMBER |  | 53375 | GENERAL | 2 OF 2 |  |
| <b>molex</b>  |          |                        |            |  |                 |          |              |  |  |              |  |  |  |  |  |  |  |                          |  |  |  |                 |          |          |          |              |     |     |   |                 |          |              |  |       |         |        |  |
| MINI-LOCK 2.5 W/B<br>SINGLE ROW VERTICAL PLUG ASSEMBLY  |          |                        |            |  |                 |          |              |  |  |              |  |  |  |  |  |  |  |                          |  |  |  |                 |          |          |          |              |     |     |   |                 |          |              |  |       |         |        |  |
| PRODUCT CUSTOMER DRAWING  |          |                        |            |  |                 |          |              |  |  |              |  |  |  |  |  |  |  |                          |  |  |  |                 |          |          |          |              |     |     |   |                 |          |              |  |       |         |        |  |
| DOCUMENT NUMBER   | DOC TYPE | DOC PART               | REVISION   |  |                 |          |              |  |  |              |  |  |  |  |  |  |  |                          |  |  |  |                 |          |          |          |              |     |     |   |                 |          |              |  |       |         |        |  |
| 533750000-SD  | PSD      | 000                    | C          |  |                 |          |              |  |  |              |  |  |  |  |  |  |  |                          |  |  |  |                 |          |          |          |              |     |     |   |                 |          |              |  |       |         |        |  |
| MATERIAL NUMBER   | CUSTOMER | SHEET NUMBER           |            |  |                 |          |              |  |  |              |  |  |  |  |  |  |  |                          |  |  |  |                 |          |          |          |              |     |     |   |                 |          |              |  |       |         |        |  |
| 53375   | GENERAL  | 2 OF 2                 |            |  |                 |          |              |  |  |              |  |  |  |  |  |  |  |                          |  |  |  |                 |          |          |          |              |     |     |   |                 |          |              |  |       |         |        |  |
| GENERAL TOLERANCES (UNLESS SPECIFIED)   |          |                        |            |  |                 |          |              |  |  |              |  |  |  |  |  |  |  |                          |  |  |  |                 |          |          |          |              |     |     |   |                 |          |              |  |       |         |        |  |
| ANGULAR TOL ± 3.0°  |          |                        |            |  |                 |          |              |  |  |              |  |  |  |  |  |  |  |                          |  |  |  |                 |          |          |          |              |     |     |   |                 |          |              |  |       |         |        |  |
| 4 PLACES  | ± 0.2    | EC NO: 659548          |            |  |                 |          |              |  |  |              |  |  |  |  |  |  |  |                          |  |  |  |                 |          |          |          |              |     |     |   |                 |          |              |  |       |         |        |  |
| 3 PLACES  | ± 0.2    | DRWN: RWATANABE01      | 2021/03/30 |  |                 |          |              |  |  |              |  |  |  |  |  |  |  |                          |  |  |  |                 |          |          |          |              |     |     |   |                 |          |              |  |       |         |        |  |
| 2 PLACES  | ± 0.2    | CHK'D: AIDA            | 2021/04/06 |  |                 |          |              |  |  |              |  |  |  |  |  |  |  |                          |  |  |  |                 |          |          |          |              |     |     |   |                 |          |              |  |       |         |        |  |
| 1 PLACE   | ± 0.2    | APPR: SAKIYAMA         | 2021/04/06 |  |                 |          |              |  |  |              |  |  |  |  |  |  |  |                          |  |  |  |                 |          |          |          |              |     |     |   |                 |          |              |  |       |         |        |  |
| 0 PLACES  | ± 0.2    | INITIAL REVISION:      |            |  |                 |          |              |  |  |              |  |  |  |  |  |  |  |                          |  |  |  |                 |          |          |          |              |     |     |   |                 |          |              |  |       |         |        |  |
| DRAFT WHERE APPLICABLE MUST REMAIN WITHIN DIMENSIONS  |          | THIRD ANGLE PROJECTION | DRAWING    | SERIES   | MATERIAL NUMBER | CUSTOMER | SHEET NUMBER |  |  |              |  |  |  |  |  |  |  |                          |  |  |  |                 |          |          |          |              |     |     |   |                 |          |              |  |       |         |        |  |
|   |          |                        | A2-SIZE    | 53375  | 53375           | GENERAL  | 2 OF 2       |  |  |              |  |  |  |  |  |  |  |                          |  |  |  |                 |          |          |          |              |     |     |   |                 |          |              |  |       |         |        |  |