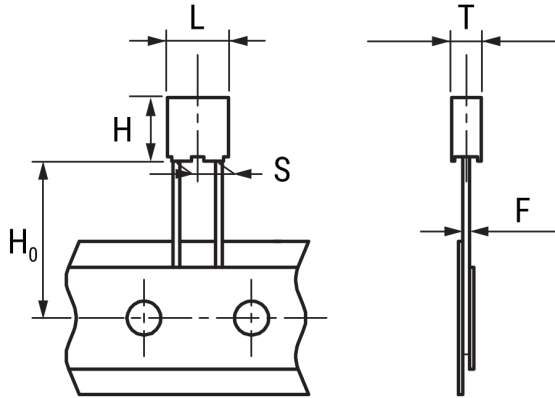


R82CC4330CK30K

Aliases (82CC4330CK30K)

R82, Film, Metallized Polyester, Automotive Grade, 3.3 uF, 10%, 50 VDC, 85°C, Lead Spacing = 5mm



Click [here](#) for the 3D model.

Dimensions

L	7.2mm +0.3mm
H	13mm +0.1mm
T	7.2mm +0.1mm
S	5mm +0.6/-0.1mm
H0	18.5mm +/-0.5mm
F	0.6mm +/-0.05mm

Packaging Specifications

Packaging	T&R
Packaging Quantity	800

General Information

Series	R82
Dielectric	Metallized Polyester
Style	Radial
Features	Automotive Grade, DC Multipurpose Applications
RoHS	Yes
Lead	Wire Leads
Qualifications	AEC-Q200
AEC-Q200	Yes
Miscellaneous	Note: This Capacitor Uses Wound Technology Rather Than Stacked, Above 85C DC And AC Voltage Derating Is 1.25%/C.

Specifications

Capacitance	3.3 uF
Capacitance Tolerance	10%
Voltage AC	30 VAC
Voltage DC	50 VDC
Temperature Range	-55/+105°C
Rated Temperature	85°C
Dissipation Factor	0.8% 1kHz, 1.2% 10kHz
Insulation Resistance	303 MOhms
Max dV/dt	25 V/us
Inductance	7 nH

Statements of suitability for certain applications are based on our knowledge of typical operating conditions for such applications, but are not intended to constitute - and we specifically disclaim - any warranty concerning suitability for a specific customer application or use. This information is intended for use only by customers who have the requisite experience and capability to determine the correct products for their application. Any technical advice inferred from this information or otherwise provided by us with reference to the use of our products is given gratis, and we assume no obligation or liability for the advice given or results obtained.