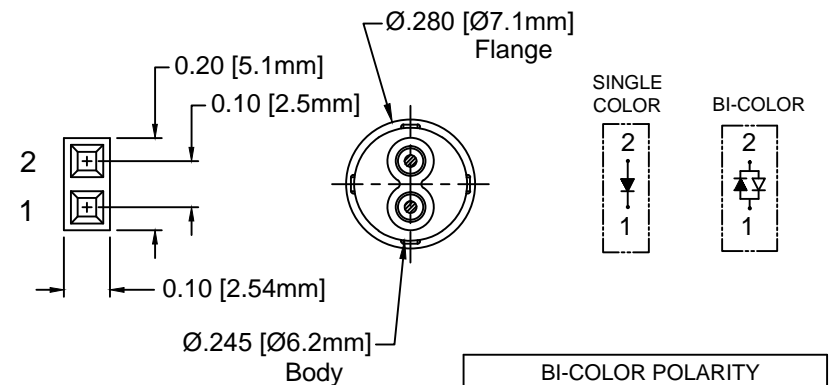
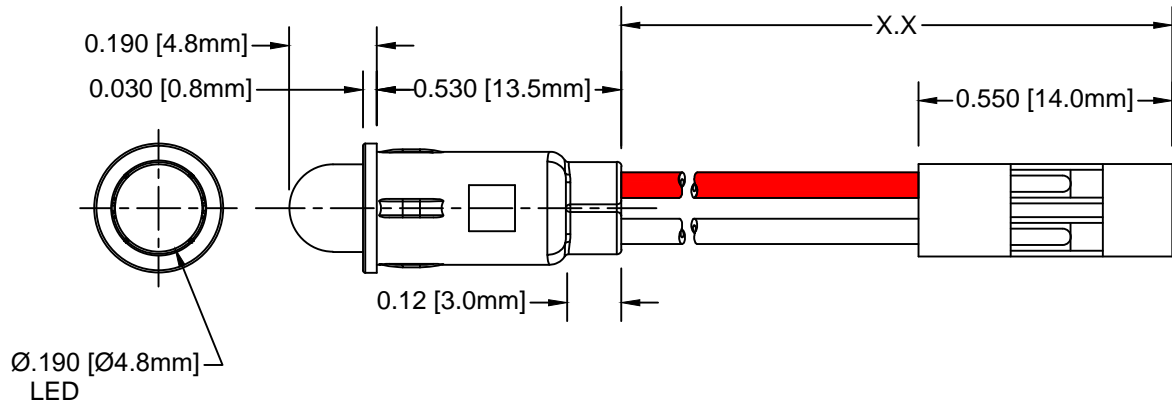
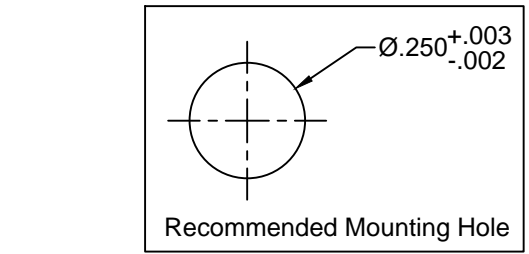


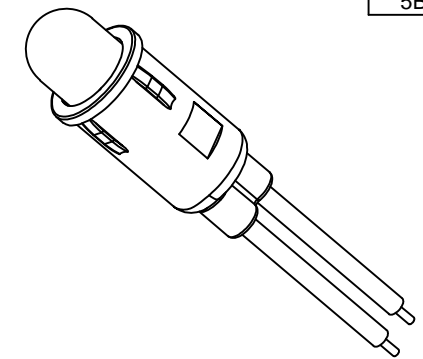
REV.	DESCRIPTION	DATE	APPROVED
D	Updated 5XXXL Specs	06/26/09	T. Y.
E	Added PM5BWCWX.X-CC Specs	08/14/09	T. Y.
F	Added PM5UGCWX.X-CC Specs	08/19/09	T. Y.
G	Added 5BC-Y/G Specs	02/09/10	T. Y.
H	LED Updates	01/19/11	T. Y.
J	Updated BOM Item #1 and Updated LED offering	11/13/12	T. Y.
K	Updated LED Optical Characteristics	09/15/15	J. C.
L	Updated per EOL Notice	06/23/20	A. V.



BI-COLOR POLARITY		
LED P/N	(2) Cathode	(1) Cathode
5BC	Green	Red



EXAMPLE:
PM5RDW6.5*-CC
 Connector
 Wire Length "X.X"
 LED Color & Lens Appearance.
 Series



CUSTOMER USE DRAWING

ABSOLUTE MAXIMUM RATINGS (Ta = 25°C)

REVERSE VOLTAGE	5V
REVERSE CURRENT (VR=5V)	100µA
OPERATING TEMPERATURE RANGE	-25°C ~ 85°C
STORAGE TEMPERATURE	-30°C ~ 100°C
LEAD SOLDERING TEMPERATURE (1/16" FROM BODY)	260°C for 5 Seconds

STANDARD TOLERANCE (UNLESS OTHERWISE SPECIFIED)		 4 THOMAS, IRVINE, CA. 92618 TEL: (949) 951-8808 FAX: (949) 951-3974			
DECIMALS	ANGULAR				
.X ± .1	X° ± 1°	TITLE: T-1¼ (5mm) PANEL MOUNT ASSEMBLY			
.XX ± .02					
.XXX ± .010		DESIGNED: Dan Beckman	DATE: 06/28/07	DRAWING NO: PM5XXWX.X-CC	REVISION: L
		REVISED: V. Chavez	DATE: 06/23/20	SHEET SIZE A	CAGE CODE: 32559
		CHECKED: A. Valdez	DATE: 06/23/20	SCALE: N/A	SHEET # 1 OF 2
CAD GENERATED DOCUMENT, DO NOT MEASURE DRAWING					

LED Assy.No.	Chip			Lens Appearance	Electro-Optical Data @20mA				Viewing Angle 2 θ 1/2 (Deg)	LED P/N	
	Material	Peak Wave Length	Emitted Color		If (mA)	Vf (V)		Iv (mcd)			
						MAX	TYP	MAX			TYP
PM5BWCWX.X-CC	GaN/SiC	430	BLUE	WATER CLEAR	25	4.0	4.5	25	20	5BWC	
PM5BWDWX.X-CC	GaN/SiC	430	BLUE	DIFFUSED	25	4.0	4.5	15	45	5BWD	
PM5GCWX.X-CC	GaP/GaP	568	GREEN	WATER CLEAR	30	2.1	2.8	40	35	5GC	
PM5GDWX.X-CC	GaP/GaP	568	GREEN	DIFFUSED	30	2.1	2.8	25	45	5GD	
PM5YDWX.X-CC	GaAsP/GaP	590	YELLOW	DIFFUSED	30	2.0	2.8	25	45	5YD	
PM5ADWX.X-CC	GaAsP/GaP	605	AMBER	DIFFUSED	30	2.0	2.8	25	45	5AD	
PM5HCWX.X-CC	GaAsP/GaP	625	HE RED	WATER CLEAR	30	2.0	2.8	40	35	5HC	
PM5HDWX.X-CC	GaAsP/GaP	625	HE RED	DIFFUSED	30	2.0	2.8	25	45	5HD	
PM5RDWX.X-CC	GaP/GaP	700	RED	DIFFUSED	20	2.1	2.8	2	45	5RD	
PM5BCWX.X-CC	GaAsP/GaP	625	RED	WHITE DIFFUSED	30	2.0	2.8	6	45	5BC	
	GaP/GaP	568	GREEN		30	2.1	2.8	8			
PM5SYDWX.X-CC	GaAsP/GaP	590	YELLOW	DIFFUSED	30	2.0	2.8	150	40	5SYD	
PM5SRDWX.X-CC	GaAlAs/GaAs	645	SUPER RED	DIFFUSED	30	1.7	2.4	40	40	5SRD	

LED Assy. No.	Peak Wave Length λp(nm)	Emitted Color	Lens Appearance	Max. Rating	Electro-Optical Data @ 2mA			Viewing Angle 2 Y ½ (Deg)	LED P/N
				If (mA)	Vf (V)		Iv (mcd)		
					MAX	TYP	MAX		
PM5GDLWX.X-CC	568	GREEN	DIFFUSED	7	2.1	2.6	5	45	5GDL
PM5YDLWX.X-CC	590	YELLOW	DIFFUSED	7	2.0	2.6	4	45	5YDL
PM5HDLWX.X-CC	625	HE RED	DIFFUSED	7	2.0	2.6	5	45	5HDL

CUSTOMER USE DRAWING

		BIVAR [®]	
CAGE CODE	32559	DRAWING NO: PM5XXWX.X-CC	REVISION: L
SHEET SIZE	A	SCALE: N/A	SHEET # 2 OF 2
CAD GENERATED DOCUMENT, DO NOT MEASURE DRAWING			