



Features

- Rugged radio remote control
- One Transmitter can control many receivers
- Receiver Waterproof to IP68
- Transmitters available with 1, 2, 3, 4, 16 Switches

Description:

Supplied ready to operate the FIRETRAP system is designed for continuous operation 365 days of the year. This system incorporates IP68 rated receiver enclosure with 'resin dipped' circuit boards for protection against condensation. The transmitter enclosure is IP40 rated.

Each receiver has four independent outputs which can easily be paired with individual switches from one or many transmitters. Building a bespoke control system is easy with transmitters containing up to 16 switches.



System and Receiver Part Numbers

Part Number	Description	Frequency (MHz)	Range** (Metres)
FIRETRAP-S1PRM	System 1 ch Prewired for Promatic (Duraplug)	433.92	250
FIRETRAP-S1LAP	System 1 ch Prewired for Laporte	433.92	250
FIRETRAP-S1AS1	System 1 ch Prewired for AutoSporter	433.92	250
FIRETRAP-S1	System 1 channel	433.92	250
FIRETRAP-RX	Receiver Unit only	433.92	250



Skeet Systems

Part Number	Description	Frequency (MHz)	Range** (Metres)
FIRETRAP-SKEET	Skeet System (TX & 2 x RX's)	433.92	250



Part Number	Description
FIRETRAP-TX1	Transmitter 1 switch
FIRETRAP-TX3	Skeet Transmitter 3 switch
FIRETRAP-TX4	Transmitter 4 switch
FIRETRAP-TX16	Transmitter 16 switch (8Sw + Shift Key)
FIREFLY -TX-IPKIT	'O' Ring, Seals Transmitter to IP68

Transmitters ship with; Wall Mounting Cradle, and Lanyard



PLEASE READ BEFORE ATTEMPTING INSTALLATION:

This system is supplied complete with cable in order to connect to the Clay Trap Release. Warning: Not all Clay Traps have the same wiring convention!

The system is pre-wired (as diagram below) to operate with most trap releases, before connecting, CHECK YOUR CONNECTIONS. (using a voltmeter) if you are in any doubt, DO NOT CONNECT THE SYSTEM, consult a qualified Electrician. Although the system operates on 12-30V DC damage may occur to the receiver unit if wrong connections are made.

Installation Notes:

An ideal installation would be to firmly fix the FIRETRAP-RX approx. 2 metres from the ground, in direct sight of the transmitter. Lowering the height or having obstacles between transmitter and receiver will reduce range!

Connecting Power to the Receiver unit

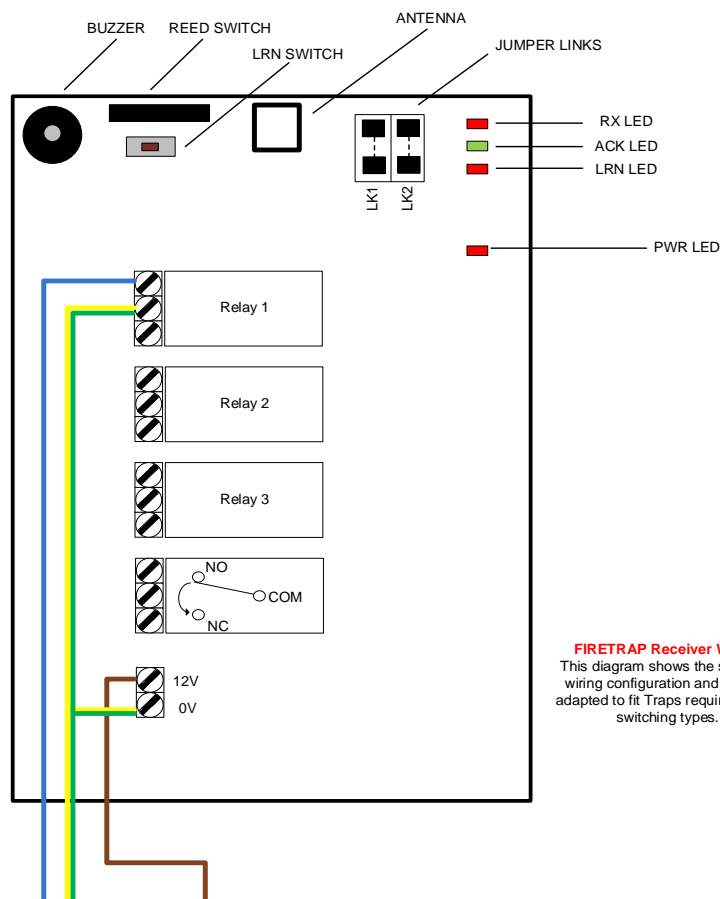
The receiver unit requires the following connections to operate:

- 12V supply (Brown wire as supplied)
- 0V Supply (Yell/GRN wire as supplied)

When the Receiver unit has power connected the Power LED will illuminate. This must be 'on' for the system to operate.

Note:

If you are pairing multiple transmitter i.e. If you have purchased receivers and transmitters separately. Follow the procedure detailed on page 4 to configure your chosen system. FIRETRAP-S1 systems are sold pre-paired.



Check the Wiring required for your Trap:

The FIRETRAP is capable of switching nearly any trap type, however wiring conventions vary between manufacturers. The relays on the FIRETRAP can switch up to 24V DC or 230V AC @ 5A.

Additional Transmitters

Each transmitter has a unique identity. Each time a transmitter switch is operated, it transmits a secure RF signal. The Receiver can learn this signal and pair it to any of its outputs.

To pair a New Transmitter switch follow this procedure:

Any transmitter button can be paired to one or many of the receiver output relays. Each button must be paired to each relay individually by following this procedure:

Select the receiver output relay to pair:

1. Briefly press the receiver pairing switch (S2) once.
2. The Receiver pairing LED will flash once to indicate output relay 1 is selected.
3. After the Receiver pairing LED stops flashing, press the receiver pairing switch again to select the next relay.
4. Repeat step 2 until the required output relay is selected.
5. Press the button on the transmitter you want to pair to the selected relay.
6. The receiver pairing LED will Flash once to confirm pairing is complete.

Erasing Receivers Memory:

Press and hold the receiver pairing switch for approx 10 seconds.

Release the switch and watch for the receiver LED to flash to confirm erasing.

Press a button on the transmitter and ensure no relay actives.

NOTE: You cannot erase individual transmitters or buttons.

Configuring Receiver Relays:

The link caps (shown above) configure the outputs operation. These links are connected/broken using the small link cap placed over the pins. To "store" the setting turn power off then back on.

Link Positions		Relay Outputs			
LK1	LK2	RLY 1	RLY 2	RLY 3	RLY 4
Open	Open	1/2 sec Mom	1/2 sec Mom	1/2 sec Mom	1/2 sec Mom
Closed	Open	1/2 sec Mom	Mom	Mom	Mom
Open	Closed	Mom	Mom	Mom	Mom
Closed	Closed	-	-	-	-

Technical Specifications:

Transmitters: FIRETRAP-TXn

Enclosure Rating: Standard IP40 (should not be left out in the rain!)

Battery Type: AAA x 3pcs (supplied)

Dimensions: 90 x 54 x 27 mm

ELECTRICAL CHARACTERISTICS	MIN	TYPICAL	MAX	UNITS
Supply Voltage		3V		V
Supply Current				mA
Frequency: FIREFLY: Wideband	433.10	433.920	434.70	MHz
RF Output Power (ERP) @ 433 MHz	-	3	10	mW

Receiver: FIRETRAP-RX

Enclosure Rating: Waterproof to IP68

Dimensions: 130 x 112 x 42 mm (not including antenna)

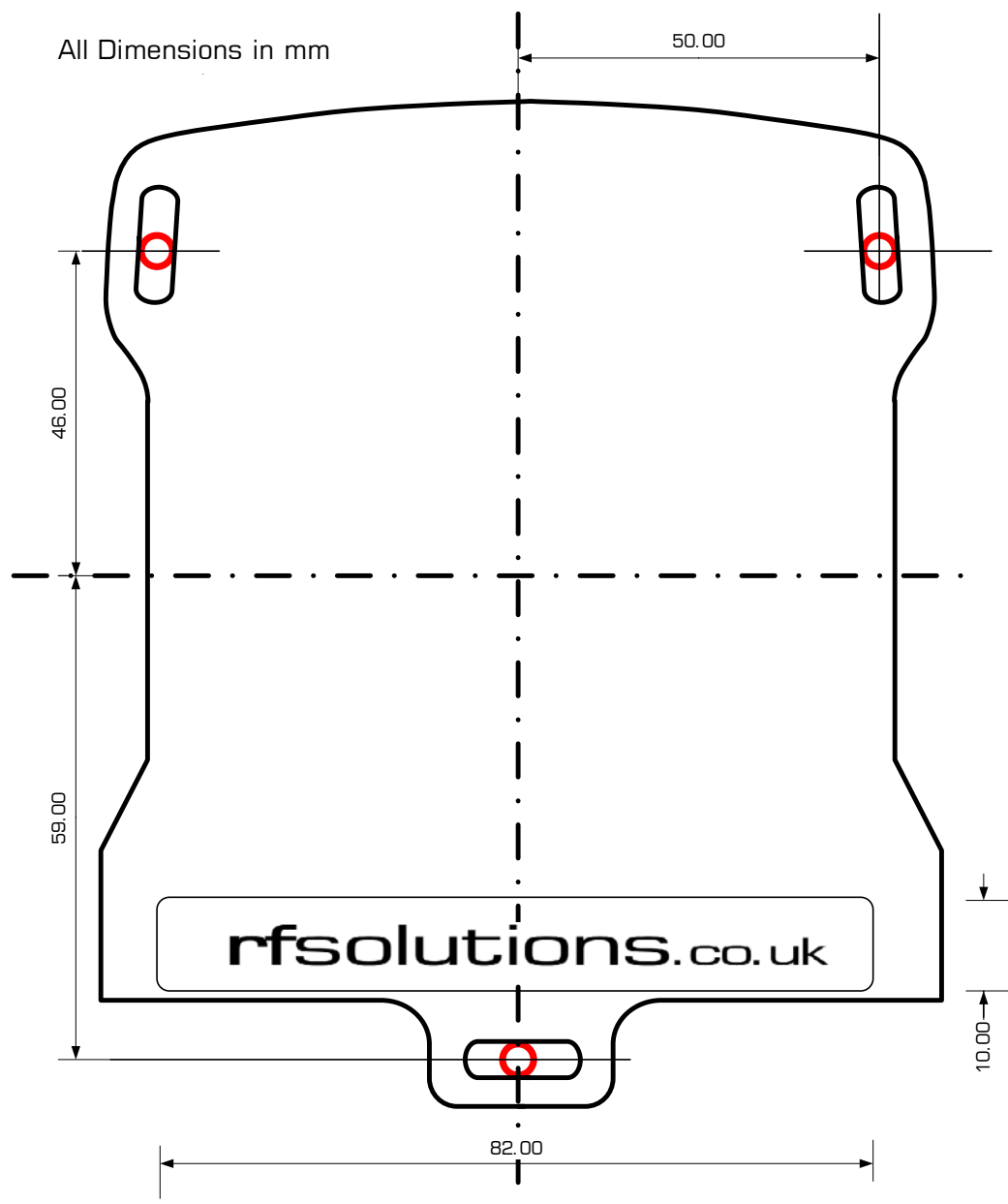
Storage Temperature: -10 to +70° Celsius.

Operating Temperature: -10 to +50° Celsius.

ELECTRICAL CHARACTERISTICS	MIN	TYPICAL	MAX	DIMENSION
Supply Voltage for +12 v	10.5		30	Vdc
Relay Rating* (230Vac) RLY1-4		5	12	A
Supply Current: Quiescent All relays operating*		10 140		mA
Time delay from Tx on switch to Rx Relay operation			100	mS
Time delay from Tx sw relax to Rx Relay release			300	MS

*The relay contacts in this unit are for functional use only and must not be used for isolation purposes

Mechanical Dimensions



RadioTrap

Is a trade name of RF Solutions Ltd,
William Alexander House, William Way,
Burgess Hill, West Sussex,
RH15 9AG

Email : sales@rfsolutions.co.uk

<http://www.rfsolutions.co.uk>

Tel: +44 (0)1444 227909

Simplified Declaration of Conformity (RED)

BG - С настоящото RF Solutions Limited декларира, че този тип радиосъоръжение дефинирани в този документ е в съответствие с Директива 2014/53/EC. Цялостният текст на ЕС декларацията за съответствие може да се намери на следния интернет адрес: www.rfsolutions.co.uk

CS - Tímto RF Solutions Limited prohlašuje, že typ rádiového zařízení definované v tomto dokumentu je v souladu se směrnicí 2014/53/EU. Úplné znění EU prohlášení o shodě je k dispozici na této internetové adrese: www.rfsolutions.co.uk

DA - Hermed erklærer RF Solutions Limited, at radioudstyrstypen defineret i dette dokument er i overensstemmelse med direktiv 2014/53/EU. EU-overensstemmelseserklæringens fulde tekst kan findes på følgende internetadresse: www.rfsolutions.co.uk

DE - Hiermit erkläre RF Solutions Limited, dass der Funkanlagentyp in diesem Dokument definiert der Richtlinie 2014/53/EU entspricht. Der vollständige Text der EU-Konformitätserklärung ist unter der folgenden Internetadresse verfügbar: www.rfsolutions.co.uk

EL - Με την παρούσα ο/η RF Solutions Limited, δηλώνει ότι ο ραδιοεξοπλισμός ορίζεται σε αυτό το έγγραφο πληροί την οδηγία 2014/53/ΕΕ. Το πλήρες κείμενο της δήλωσης συμμόρφωσης ΕΕ διατίθεται στην ακόλουθη ιστοσελίδα στο διαδίκτυο: www.rfsolutions.co.uk

EN - Hereby, RF Solutions Limited declares that the radio equipment type defined within this document is in compliance with Directive 2014/53/EU. The full text of the EU declaration of conformity is available at the following internet address: www.rfsolutions.co.uk

ES - Por la presente, RF Solutions Limited declara que el tipo de equipo radioeléctrico definido dentro de este documento es conforme con la Directiva 2014/53/UE. El texto completo de la declaración UE de conformidad está disponible en la dirección Internet siguiente: www.rfsolutions.co.uk

ET - Käesolevaga deklareerib RF Solutions Limited, et käesolev raadioseadme tüüp määratletud selles dokumendis vastab direktiivi 2014/53/EL nõuetele. ELi vastavusdeklaratsiooni täielik tekst on kättesaadav järgmisel internetiaadressil: www.rfsolutions.co.uk

FI - RF Solutions Limited vakuuttaa, että radiolaitetyyppi määriteltä selles dokumendis on direktiivin 2014/53/EU mukainen. EU-vaatimustenmukaisuusvakuutuksen täysimittainen teksti on saatavilla seuraavassa internetosoitteessa: www.rfsolutions.co.uk

FR - Le soussigné, RF Solutions Limited, déclare que l'équipement radioélectrique du type défini dans ce document est conforme à la directive 2014/53/UE. Le texte complet de la déclaration UE de conformité est disponible à l'adresse internet suivante: www.rfsolutions.co.uk

HR - RF Solutions Limited ovime izjavljuje da je radijska oprema tipa definirani u ovom dokumentu u skladu s Direktivom 2014/53/EU. Cjeloviti tekst EU izjave o skladnosti dostupan je na sljedećoj internetskoj adresi: www.rfsolutions.co.uk

HU - RF Solutions Limited igazolja, hogy a dokumentumban meghatározottak szerinti típusú rádióberendezés megfelel a 2014/53/EU irányelvnek. Az EU-megfelelőségi nyilatkozat teljes szövege elérhető a következő internetes címen: www.rfsolutions.co.uk

IT - Il fabbricante, RF Solutions Limited, dichiara che il tipo di apparecchiatura radio definito all'interno di questo documento è conforme alla direttiva 2014/53/UE. Il testo completo della dichiarazione di conformità UE è disponibile al seguente indirizzo Internet: www.rfsolutions.co.uk

LT - Aš, RF Solutions Limited, patvirtinu, kad radijo įrenginių tipas apibrėžta šiame dokumente atitinka Direktyvą 2014/53/ES. Visas ES atitikties deklaracijos tekstas prieinamas šiuo interneto adresu: www.rfsolutions.co.uk

LV - Ar šo RF Solutions Limited deklarē, ka radioiekārtā kas definēts šajā dokumentā atbilst Direktīvai 2014/53/ES. Pilns ES atbilstības deklarācijas teksts ir pieejams šādā interneta vietnē: www.rfsolutions.co.uk

MT - B'dan, RF Solutions Limited, niddikjara li dan it-tip ta' tagħmir tar-radju definit f'dan id-dokument huwa konformi mad-Direttiva 2014/53/UE. It-test kollu tad-dikjarazzjoni ta' konformità tal-UE huwa disponibbli f'dan l-indirizz tal-Internet li ġej: www.rfsolutions.co.uk

NL - Hierbij verklaar ik, RF Solutions Limited, dat het type radioapparatuur gedefinieerd in dit document conform is met Richtlijn 2014/53/EU. De volledige tekst van de EU-conformiteitsverklaring kan worden geraadpleegd op het volgende internetadres: www.rfsolutions.co.uk

PL - RF Solutions Limited niniejszym oświadczam, że typ urządzenia radiowego zdefiniowane w tym dokumencie jest zgodny z dyrektywą 2014/53/UE. Pełny tekst deklaracji zgodności UE jest dostępny pod następującym adresem internetowym: www.rfsolutions.co.uk

PT - O(a) abaixo assinado(a) RF Solutions Limited declara que o presente tipo de equipamento de rádio definido neste documento está em conformidade com a Diretiva 2014/53/UE. O texto integral da declaração de conformidade está disponível no seguinte endereço de Internet: www.rfsolutions.co.uk

RO - Prin prezenta, RF Solutions Limited declară că tipul de echipamente radio definit în acest document este în conformitate cu Directiva 2014/53/UE. Textul integral al declarației UE de conformitate este disponibil la următoarea adresă internet: www.rfsolutions.co.uk

SK - RF Solutions Limited týmto vyhlasuje, že rádiové zariadenie typu definované v tomto dokumente je v súlade so smernicou 2014/53/EÚ. Úplné EÚ vyhlásenie o zhode je k dispozícii na tejto internetovej adrese: www.rfsolutions.co.uk

SL - RF Solutions Limited potrjuje, da je tip radijske opreme opredeljeno v tem dokumentu skladen z Direktivo 2014/53/EU. Celotno besedilo izjave EU o skladnosti je na voljo na naslednjem spletnem naslovu: www.rfsolutions.co.uk

SV - Härmed försäkrar RF Solutions Limited att denna typ av radioutrustning definieras i detta dokument överensstämmer med direktiv 2014/53/EU. Den fullständiga texten till EU-försäkran om överensstämmelse finns på följande webbadress: www.rfsolutions.co.uk

RF Solutions Ltd. Recycling Notice

Meets the following EC Directives:

DO NOT

Discard with normal waste, please recycle.

ROHS Directive 2011/65/EU and amendment 2015/863/EU

Specifies certain limits for hazardous substances.

WEEE Directive 2012/19/EU

Waste electrical & electronic equipment. This product must be disposed of through a licensed WEEE collection point. RF Solutions Ltd., fulfils its WEEE obligations by membership of an approved compliance scheme. Environment agency registration number: **WEE/JB0104WV**.



Waste Batteries and Accumulators Directive 2006/66/EC

Where batteries are fitted, before recycling the product, the batteries must be removed and disposed of at a licensed collection point.

RF Solutions battery producer number **BPRN00060**.

Disclaimer:

Whilst the information in this document is believed to be correct at the time of issue, RF Solutions Ltd does not accept any liability whatsoever for its accuracy, adequacy or completeness. No express or implied warranty or representation is given relating to the information contained in this document. RF Solutions Ltd reserves the right to make changes and improvements to the product(s) described herein without notice. Buyers and other users should determine for themselves the suitability of any such information or products for their own particular requirements or specification(s). RF Solutions Ltd shall not be liable for any loss or damage caused as a result of user's own determination of how to deploy or use RF Solutions Ltd's products. Use of RF Solutions Ltd products or components in life support and/or safety applications is not authorised except with express written approval. No licences are created, implicitly or otherwise, under any of RF Solutions Ltd's intellectual property rights. Liability for loss or damage resulting or caused by reliance on the information contained herein or from the use of the product (including liability resulting from negligence or where RF Solutions Ltd was aware of the possibility of such loss or damage arising) is excluded. This will not operate to limit or restrict RF Solutions Ltd's liability for death or personal injury resulting from its negligence.