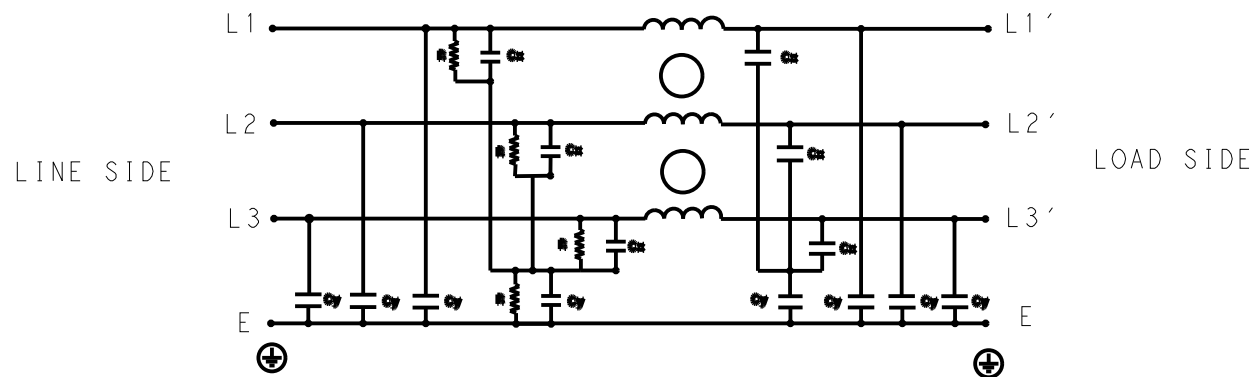


REVISIONS

P	LTR	DESCRIPTION	DATE	DWN	APVD
	A	INITIAL RELEASE	02APR2021	BS	CB



SCHEMATIC

SAFETY ORGANIZATIONS

THIS FILTER WILL BE FORMALLY RECOGNIZED, CERTIFIED OR APPROVED BY THE LISTED AGENCY. THEREFORE, ALL TEST/REQUIREMENTS SPECIFIED IN THE LATEST REVISION OF THE FOLLOWING AGENCY STANDARDS WILL BE MET:

UL APPROVED 8A 520V 50Hz/60Hz 40°C
 CSA PENDING 8A 520V 50Hz/60Hz 40°C

OPERATING SPECIFICATION

LINE CURRENT/VOLTAGE: 8A, 520VAC
 LINE FREQUENCY: 50/60Hz

MAXIMUM LEAKAGE CURRENT: 18mA @ 230VAC, 50Hz

OPERATING AMBIENT TEMPERATURE RANGE @ RATED CURRENT: -25°C TO +40°C

IN AN AMBIENT, T_a, HIGHER THAN 40°C, THE MAXIMUM OPERATING CURRENT, I_o, IS AS FOLLOWS:

$$I_o = I_r \sqrt{\frac{85 - T_a}{45}}$$

RELIABILITY SPECIFICATIONS

STORAGE TEMPERATURE: -40°C TO +85°C
 HUMIDITY: 21 DAYS @ 40°C AND 95% RH

TEST SPECIFICATIONS

INDUCTANCE, NOMINAL: 9mH

CAPACITANCE @ 1kHz

LINE TO GROUND, NOMINAL: 1.1µF
 LINE TO LINE, NOMINAL: 1µF

DISCHARGE RESISTOR

L/G I.R. 1MΩ 1W
 L/L I.R. 2MΩ 1W
 L/N I.R. XXX
 N/G I.R. XXX

IR (NO DISCHARGE RESISTOR) 20°C, 50% RH AND 100VDC, MIN: 6MΩ

RECOMMENDED RECEIVING INSPECITON HIPOT

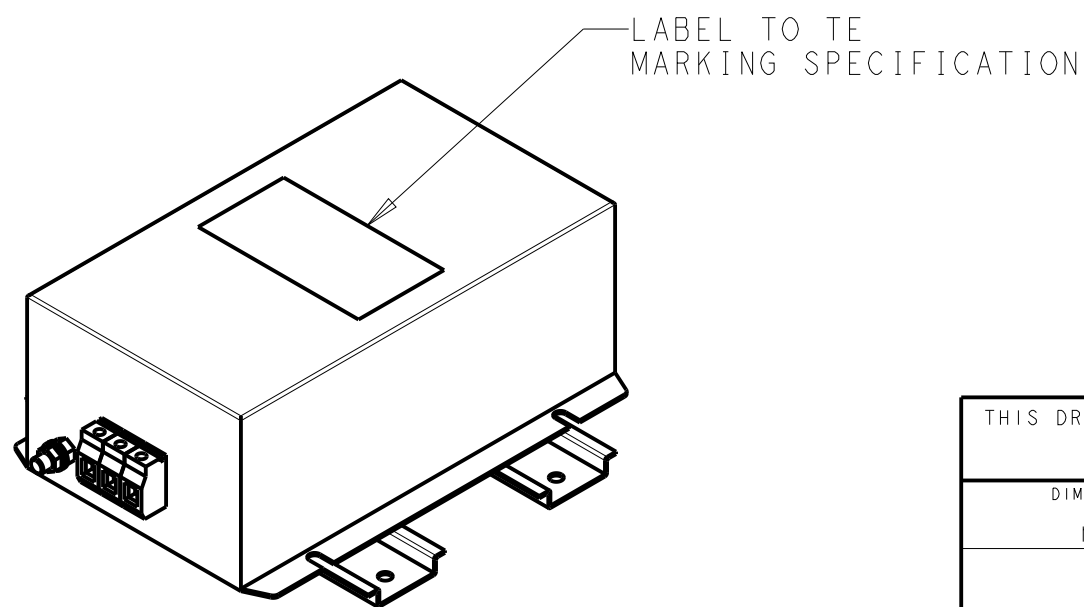
LINE TO GROUND FOR 1 MINUTE: 2856VDC
 LINE TO LINE FOR 1 MINUTE: 2236VDC

FILTER APPROVAL

THE BEST WAY TO SELECT AND QUALIFY A FILTER IS FOR YOUR ENGINEERING TO TEST THE UNIT IN YOUR EQUIPMENT.

TYPICAL INSERTION LOSS
COMMON MODE 50/50Ω; DIFFERENTIAL MODE 50/50Ω

MHz	0.01	0.05	0.15	0.5	1	3	5	10	30
CM	56	60	62	54	50	42	40	34	32
DM	20	24	35	60	46	39	36	30	26



THIS DRAWING IS A CONTROLLED DOCUMENT.		DWN 05APR2021 BAPAT SAHAS		
DIMENSIONS: mm		CHK 05APR2021 CHRIS BOLLE		
TOLERANCES UNLESS OTHERWISE SPECIFIED:		APVD 05APR2021 CHRIS BOLLE	NAME POWER LINE FILTER FOR DIN 35 RAIL INSTALLATION 8KEMS10BFPDVM	
0 PLC ±-		PRODUCT SPEC	SIZE	
1 PLC ±0.5		APPLICATION SPEC	CAGE CODE	
2 PLC ±0.40		WEIGHT	DRAWING NO	
3 PLC ±0.130		CUSTOMER DRAWING	RESTRICTED TO	
4 PLC ±0.0500		SCALE 2:5	SHEET 1 OF 2	
ANGLES ±-		REV A		
MATERIAL		A300779 C-9-1609967-5		
FINISH				

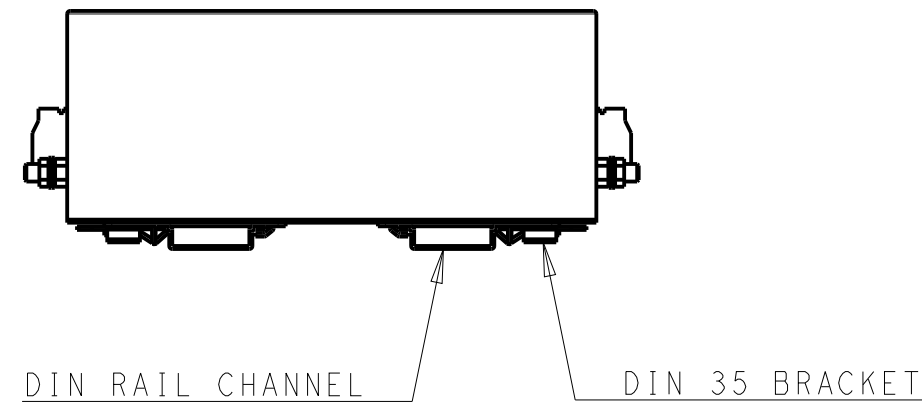
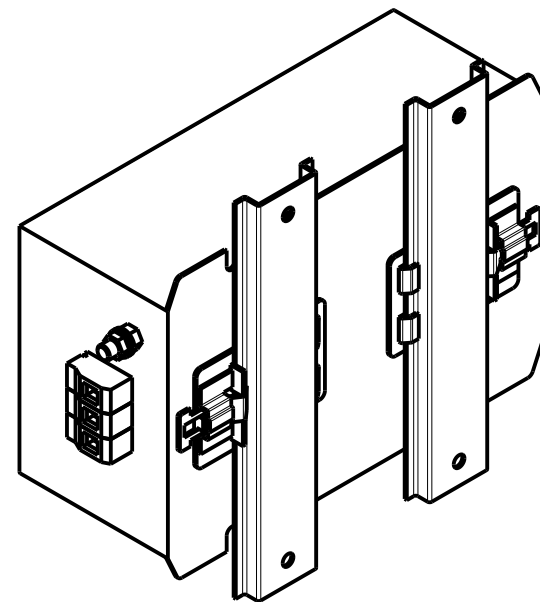
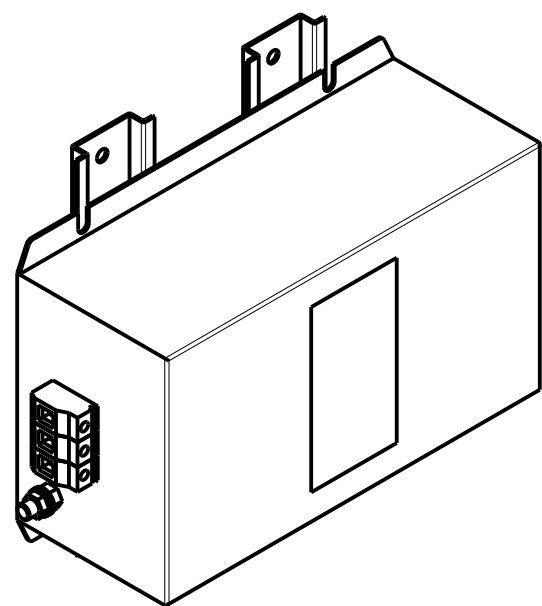
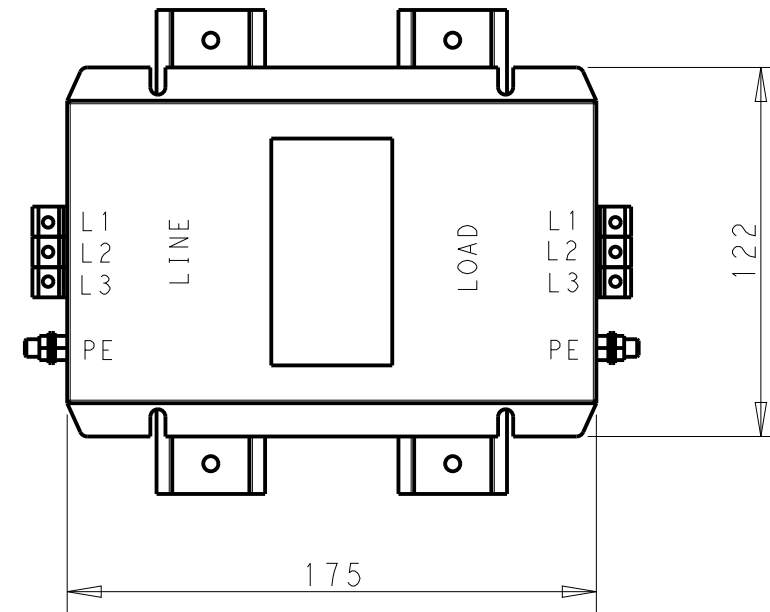
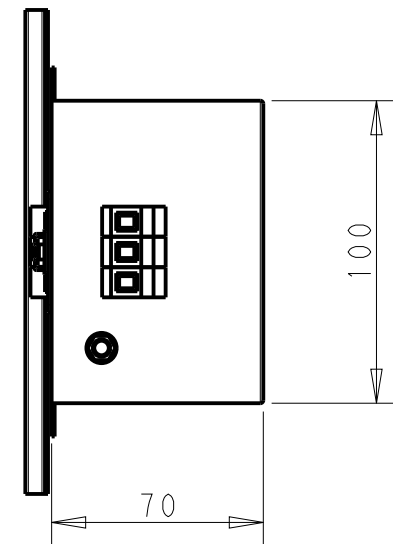
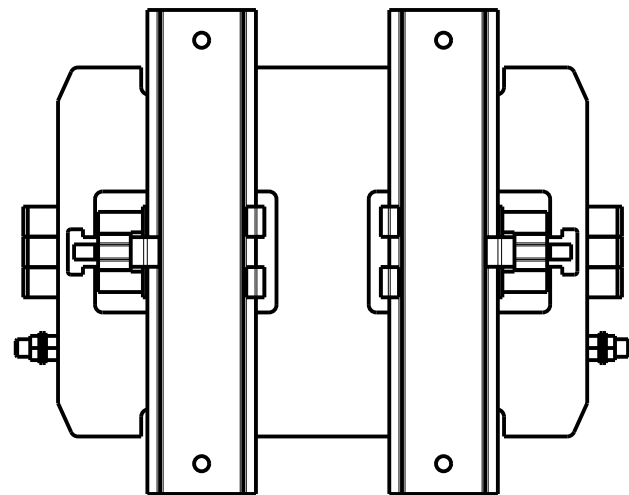
NOTE 1 GROUND CONNECTION:
 FOR ELECTRICAL SAFETY AND FILTER PERFORMANCE
 UNIT MUST HAVE A GOOD GROUND CONNECTION.
 TORQUE OUTER TERMINAL SCREWS: 0.5Nm / 4.5 in.lbs
 TORQUE GROUND NUTS: 2.5-3Nm

NOTE 2 INPUT OUTPUT CONNECTION TERMINAL
 AWG SIZE: 26-12 AWG
 WIRE SECTION: 4 mm²
 THREADED BOLT SIZE FOR GROUND: M6

NOTE 3 SUPPLIED WITH DIN RAIL BRACKET

NOTE 4 DRAWINGS SHOWS DIN RAIL FOR
 REFERENCE ONLY

REVISIONS					
P	LTR	DESCRIPTION	DATE	DWN	APVD
		SEE SHEET 1			



FRONT SIDE

REAR SIDE

THIS DRAWING IS A CONTROLLED DOCUMENT.		DWN	05APR2021		
		CHK	05APR2021		
		APVD	05APR2021		
		NAME	CHRIS BOLLE		
DIMENSIONS:		TOLERANCES UNLESS OTHERWISE SPECIFIED:		PRODUCT SPEC	
mm				APPLICATION SPEC	
		0 PLC ±-		-	
		1 PLC ±0.5		-	
		2 PLC ±0.40		-	
		3 PLC ±0.130		-	
		4 PLC ±0.0500		-	
		ANGLES ±-		-	
MATERIAL		FINISH		WEIGHT	
-		-		-	
-		-		-	
		CUSTOMER DRAWING		SCALE 2:5 SHEET 2 OF 2 REV A	
		SIZE A3 00779		CAGE CODE G-9-1609967-5	
		DRAWING NO		RESTRICTED TO	