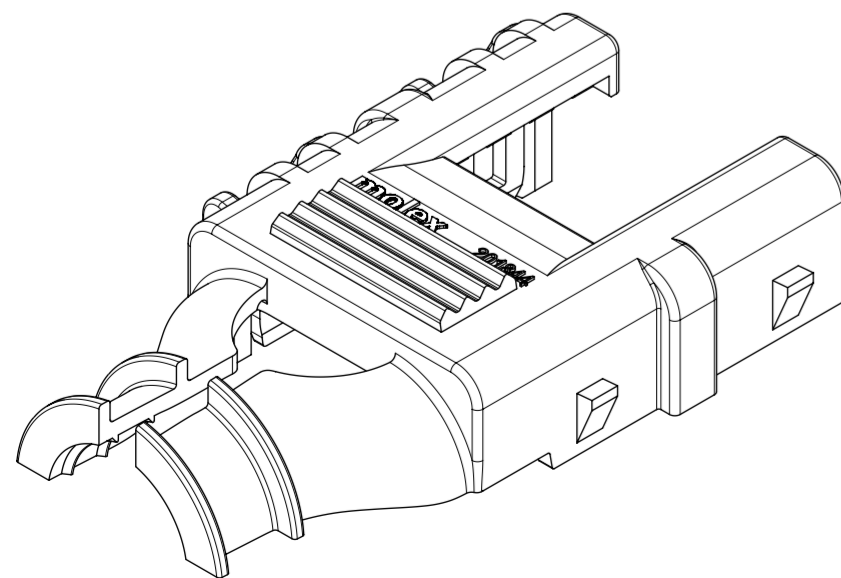
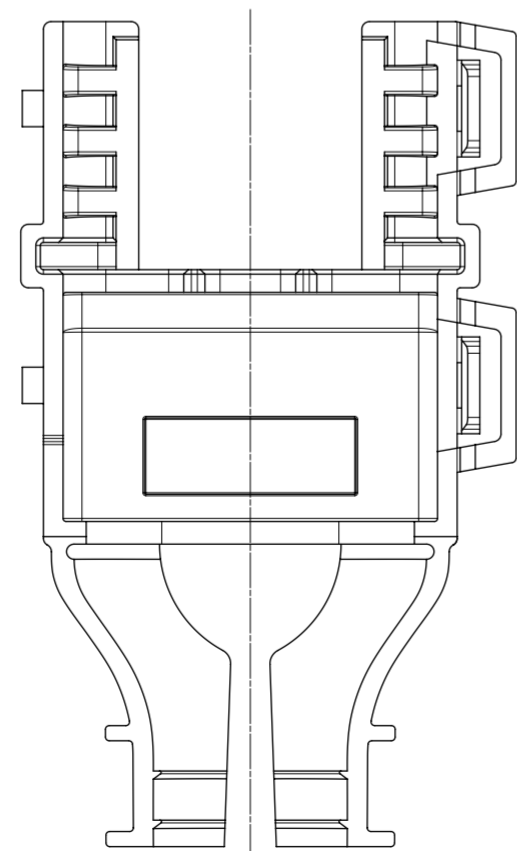
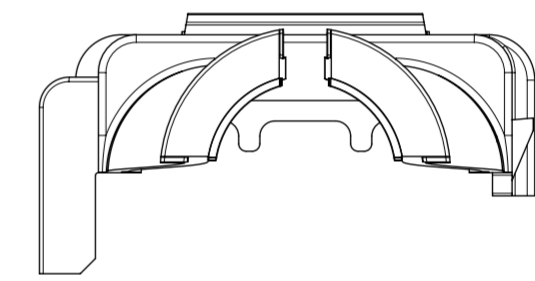
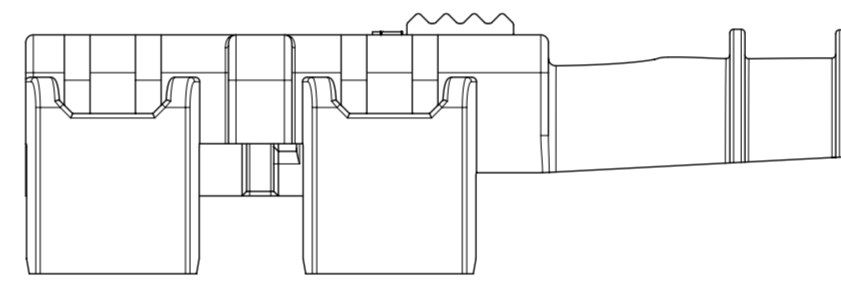
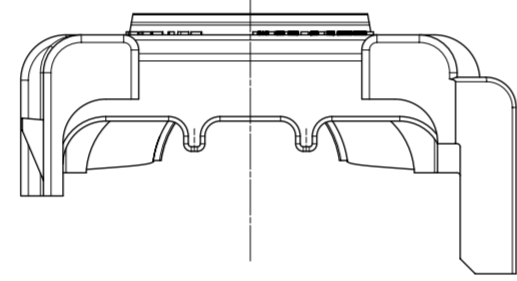
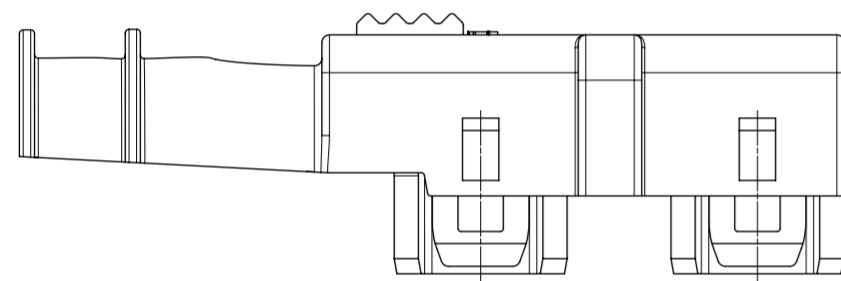


NOTES:

1. BACKSHELL MATERIAL:
PEI, UL RATED 94V-0
COLOR: SEE LEGEND
2. USE WITH PLUG/RECEPTACLE HOUSING SERIES (201840/201841)
3. 2 PARTS SNAP INTO EACH OTHER WITH 201840/201841 SERIES PARTS IN AN ASSEMBLY
4. PRODUCT SPECIFICATION: 2018400000-PS
5. PACKAGING SPECIFICATION: 2018440000-PK
6. COSMETIC SPECIFICATION PS-45499-002 CLASS B
7. APPLICATION SPECIFICATION: 2018400000-AS



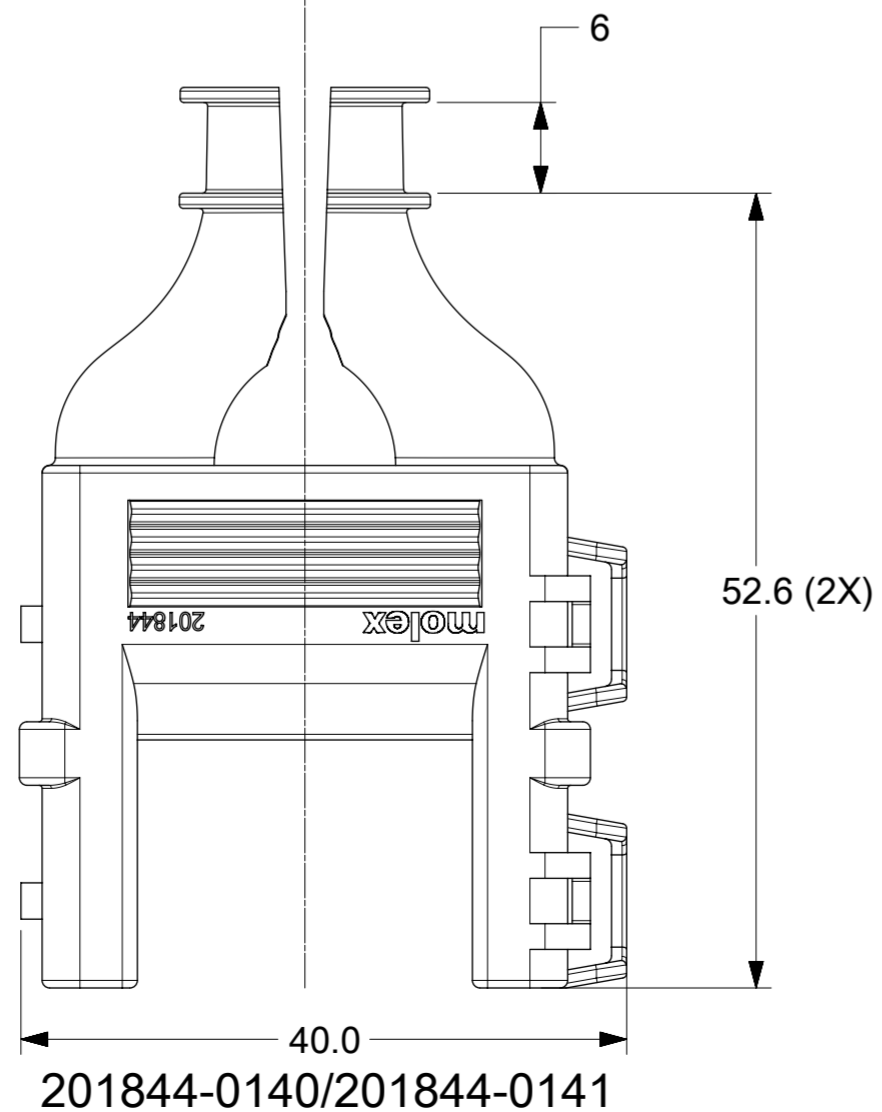
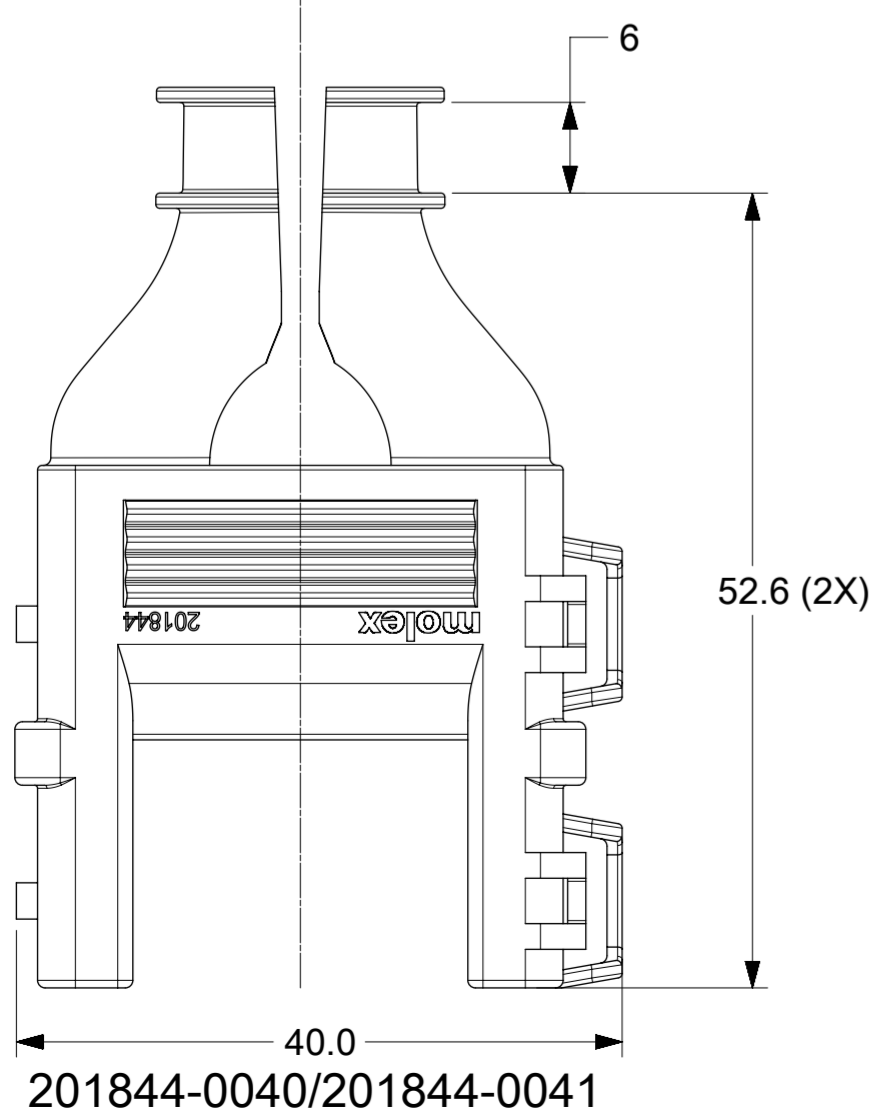
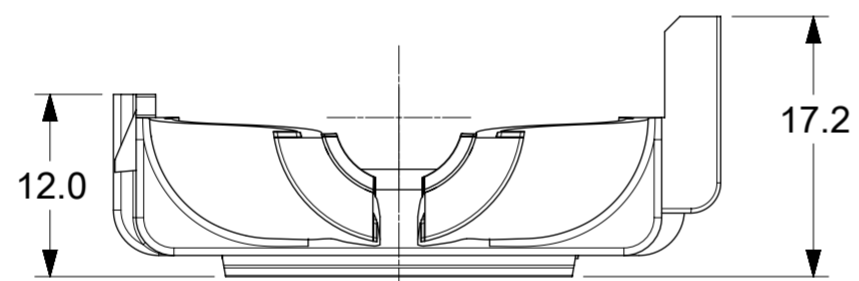
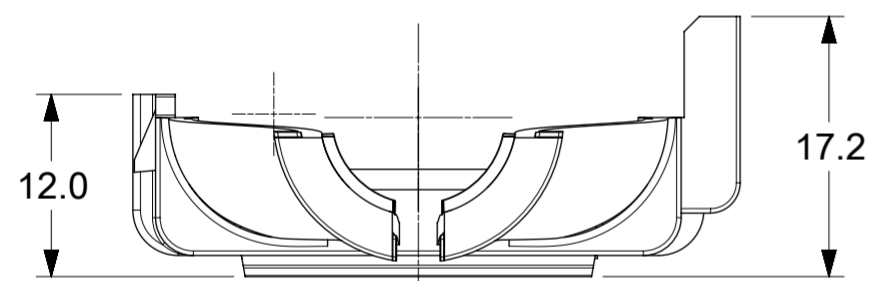
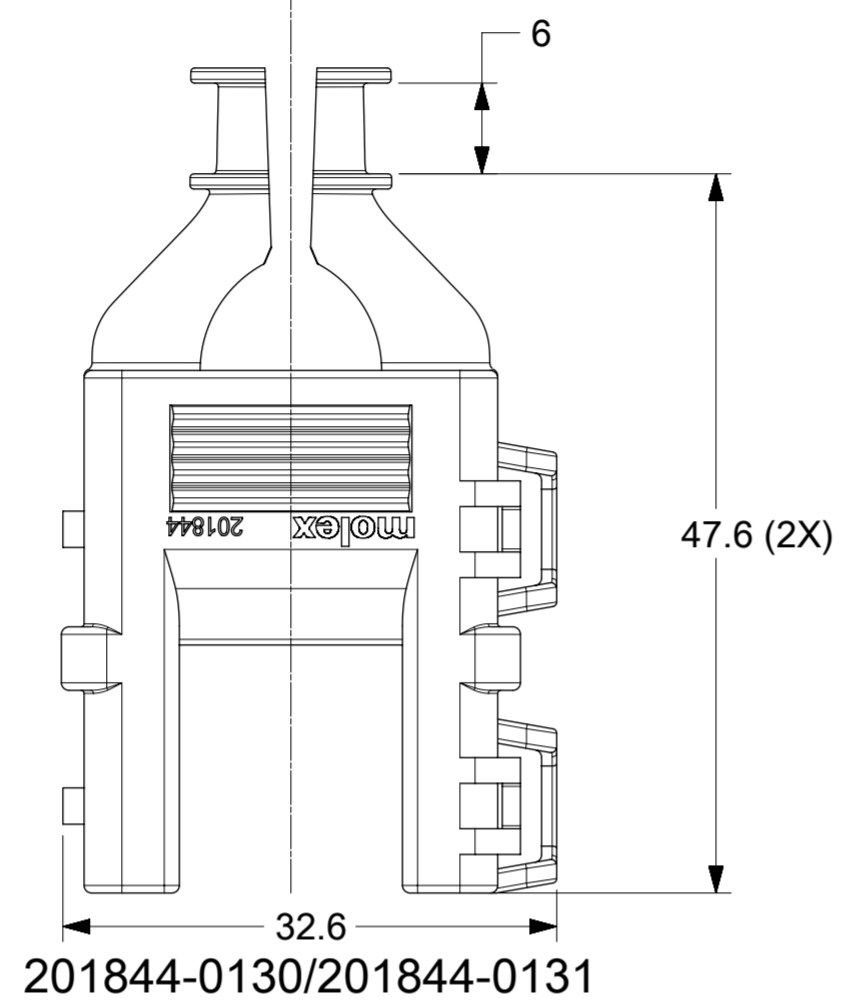
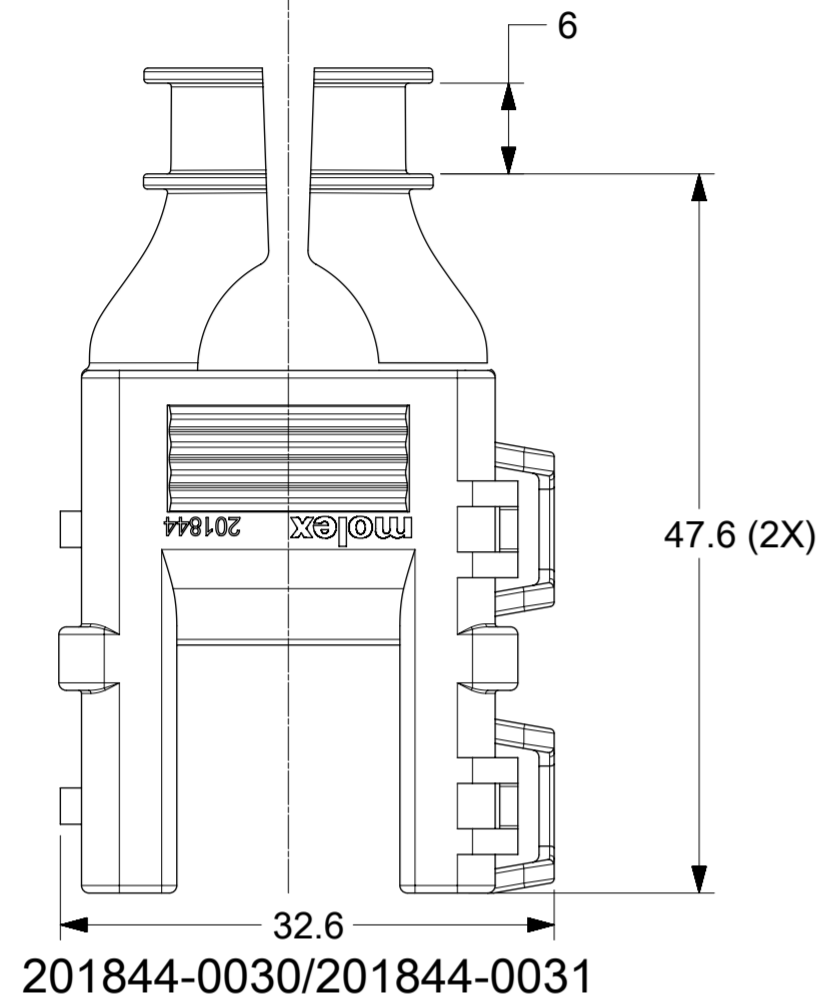
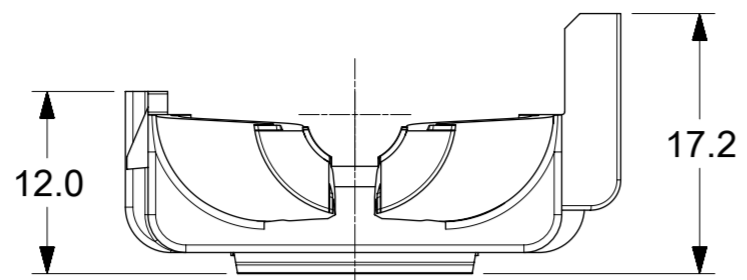
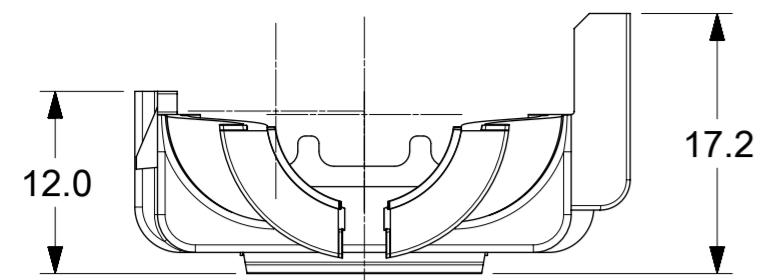
PN LEGEND

201844-0XXX

- COLOR (NOTE 1)
0 - BLACK
1 - GRAY
- CIRCUIT SIZE
3 - THREE CIRCUIT
4 - FOUR CIRCUIT
- CABLE SIZE
0 - 8 to 10 AWG
1 - 12 to 18 AWG

THIS DRAWING CONTAINS INFORMATION THAT IS PROPRIETARY TO MOLEX ELECTRONIC TECHNOLOGIES, LLC AND SHOULD NOT BE USED WITHOUT WRITTEN PERMISSION

DIMENSION UNITS mm	SCALE 2:1	CURRENT REV DESC:	molex		
GENERAL TOLERANCES (UNLESS SPECIFIED)		EC NO: 627270			
ANGULAR TOL	± 0.5°	DRWN: MKP 2019/03/28	PRODUCT CUSTOMER DRAWING		
4 PLACES	±	CHK'D: MRAMAKRISHNA 2019/11/12			
3 PLACES	±	APPR: ISHWARG 2019/11/13	DOC TYPE PSD		
2 PLACES	± 0.25	INITIAL REVISION:			
1 PLACE	± 0.4	DRWN: NCSR 2017/03/13	REVISION A1		
0 PLACES	± 0.5	APPR: KPRASAD 2017/03/16			
DRAFT WHERE APPLICABLE MUST REMAIN WITHIN DIMENSIONS	THIRD ANGLE PROJECTION	DRAWING A2-SIZE	CUSTOMER GENERAL MARKET		
		SERIES 201844	SHEET NUMBER 1 OF 2		



THIS DRAWING CONTAINS INFORMATION THAT IS PROPRIETARY TO MOLEX ELECTRONIC TECHNOLOGIES, LLC AND SHOULD NOT BE USED WITHOUT WRITTEN PERMISSION

DIMENSION UNITS	SCALE	CURRENT REV DESC:							
mm	2:1	<p>molex</p> <p>MULTICAT BACKSHELL (WTW)</p> <p>PRODUCT CUSTOMER DRAWING</p>							
GENERAL TOLERANCES (UNLESS SPECIFIED)						EC NO: 627270	2019/03/28		
ANGULAR TOL	± 0.5°					DRWN: MKP	2019/11/12		
4 PLACES	±					CHK'D: MRAMAKRISHNA	2019/11/12		
3 PLACES	±					APPR: ISHWARG	2019/11/13		
2 PLACES	± 0.25	INITIAL REVISION:							
1 PLACE	± 0.4	DRWN: NCSR	2017/03/13						
0 PLACES	± 0.5	APPR: KPRASAD	2017/03/16						
DRAFT WHERE APPLICABLE MUST REMAIN WITHIN DIMENSIONS	THIRD ANGLE PROJECTION	DRAWING	SERIES	MATERIAL NUMBER	CUSTOMER	DOC TYPE	DOC PART	REVISION	SHEET NUMBER
		A2-SIZE	201844	SEE SHEET 2	GENERAL MARKET	PSD	000	A1	2 OF 2

DOCUMENT STATUS	P1	RELEASE DATE	2019/11/13	03:33:59
-----------------	----	--------------	------------	----------