

REVISIONS				
P.	LTN	DESCRIPTION	DATE	APVD
B		REVISED PER ECR-20-100642	23SEP2022	M, G, D, Z

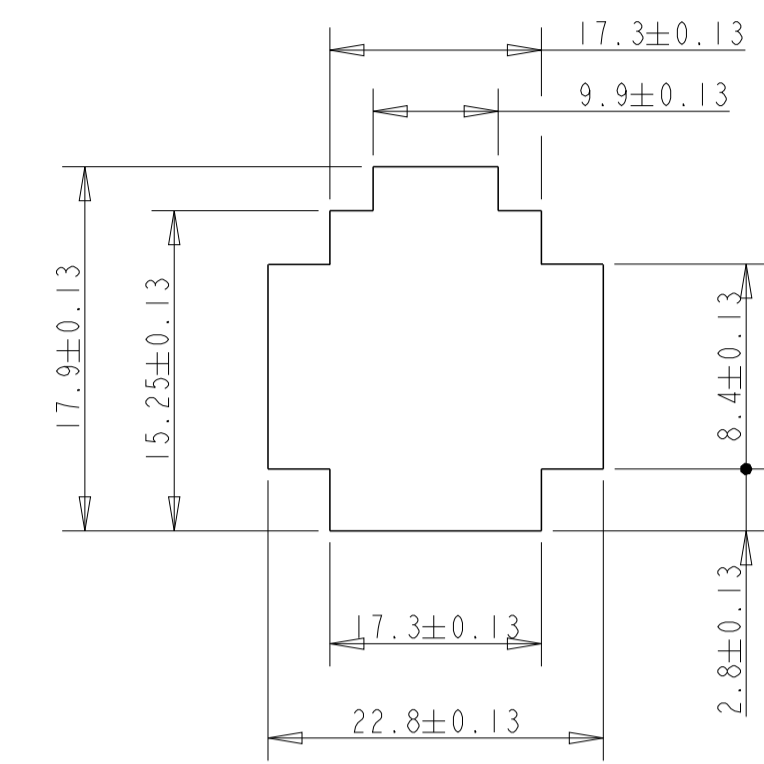
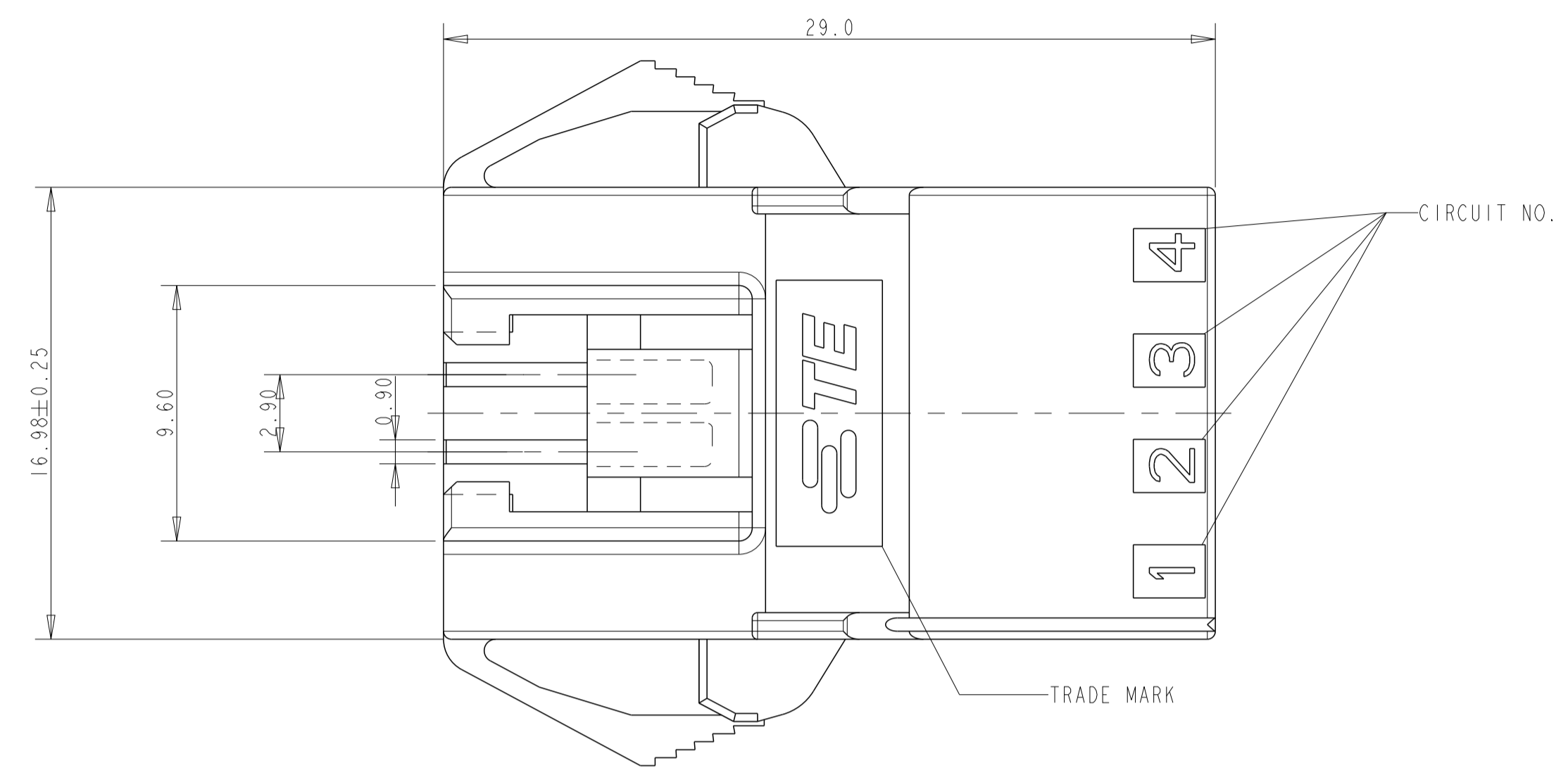
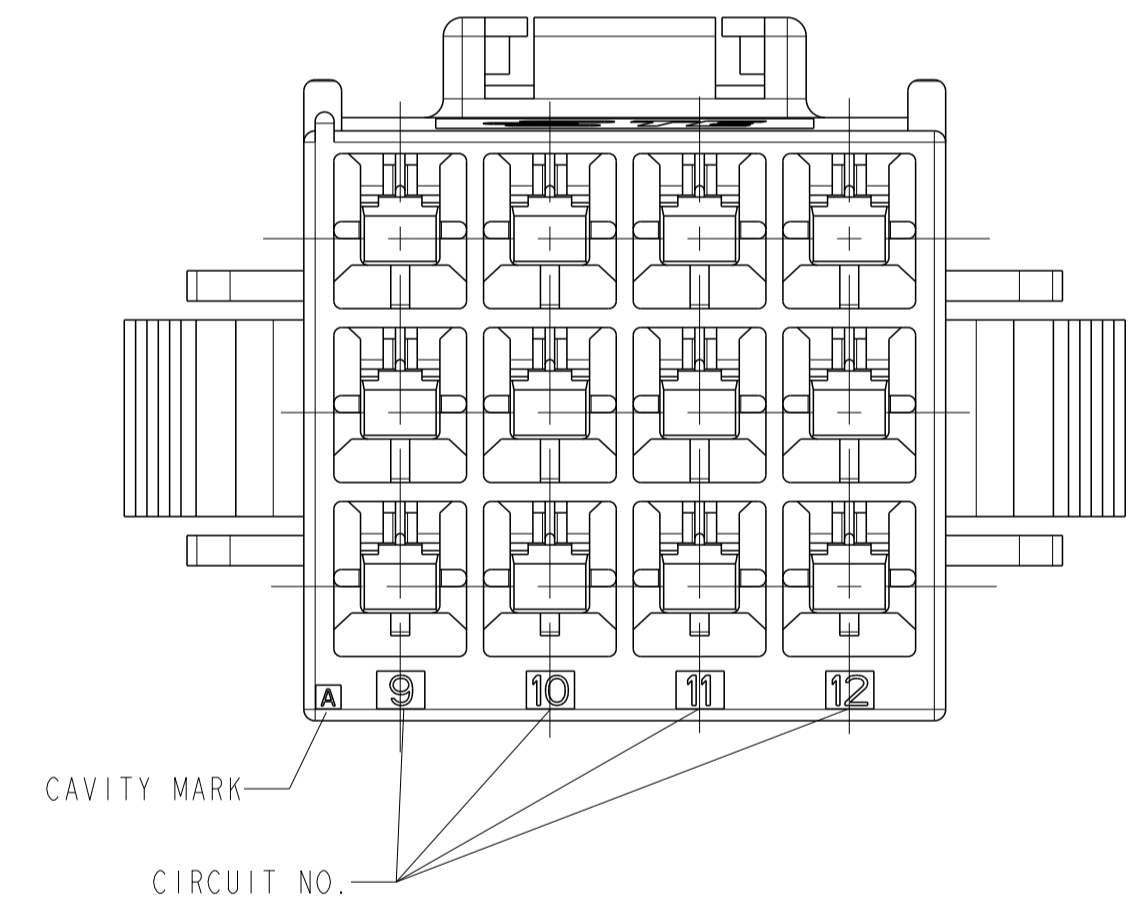
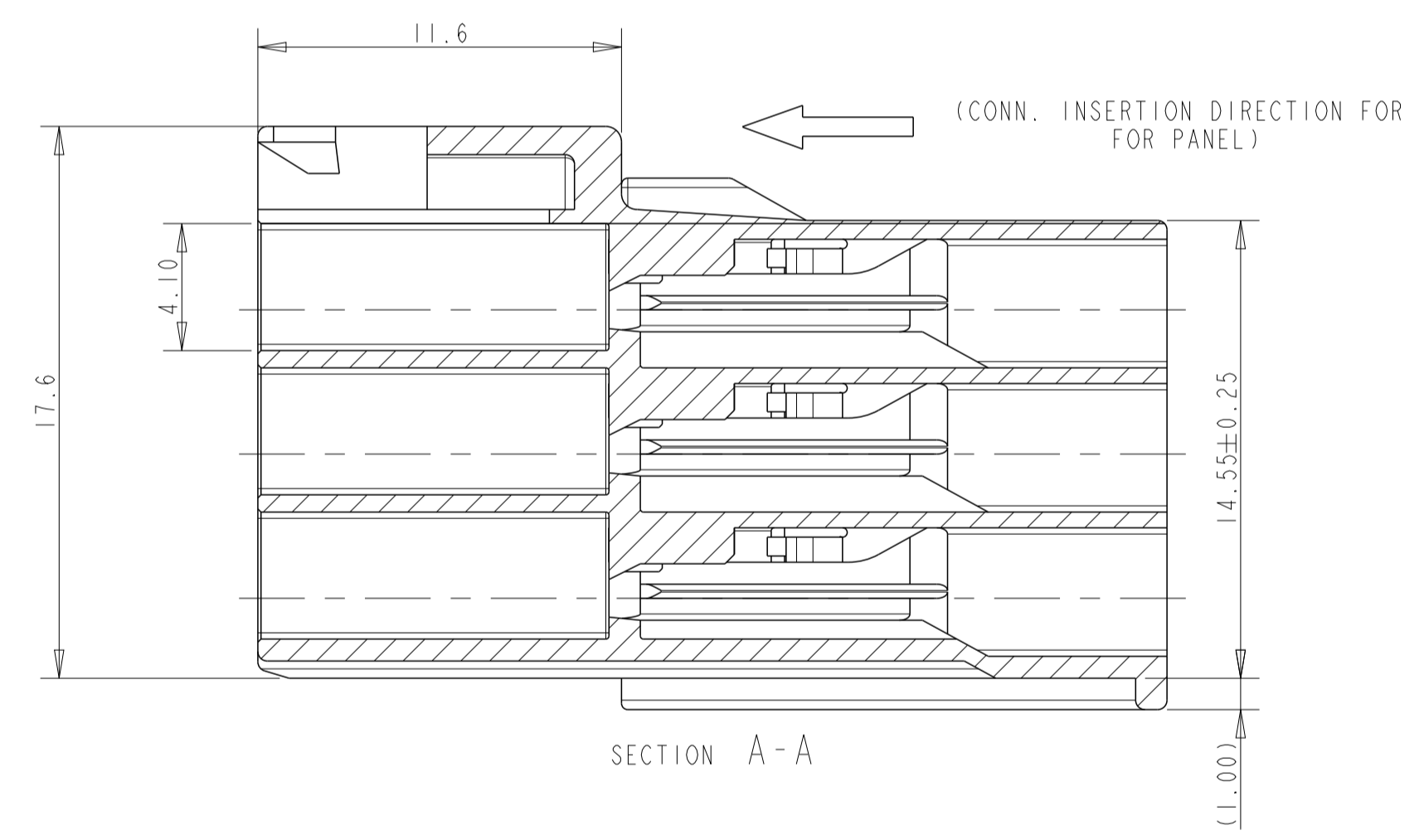
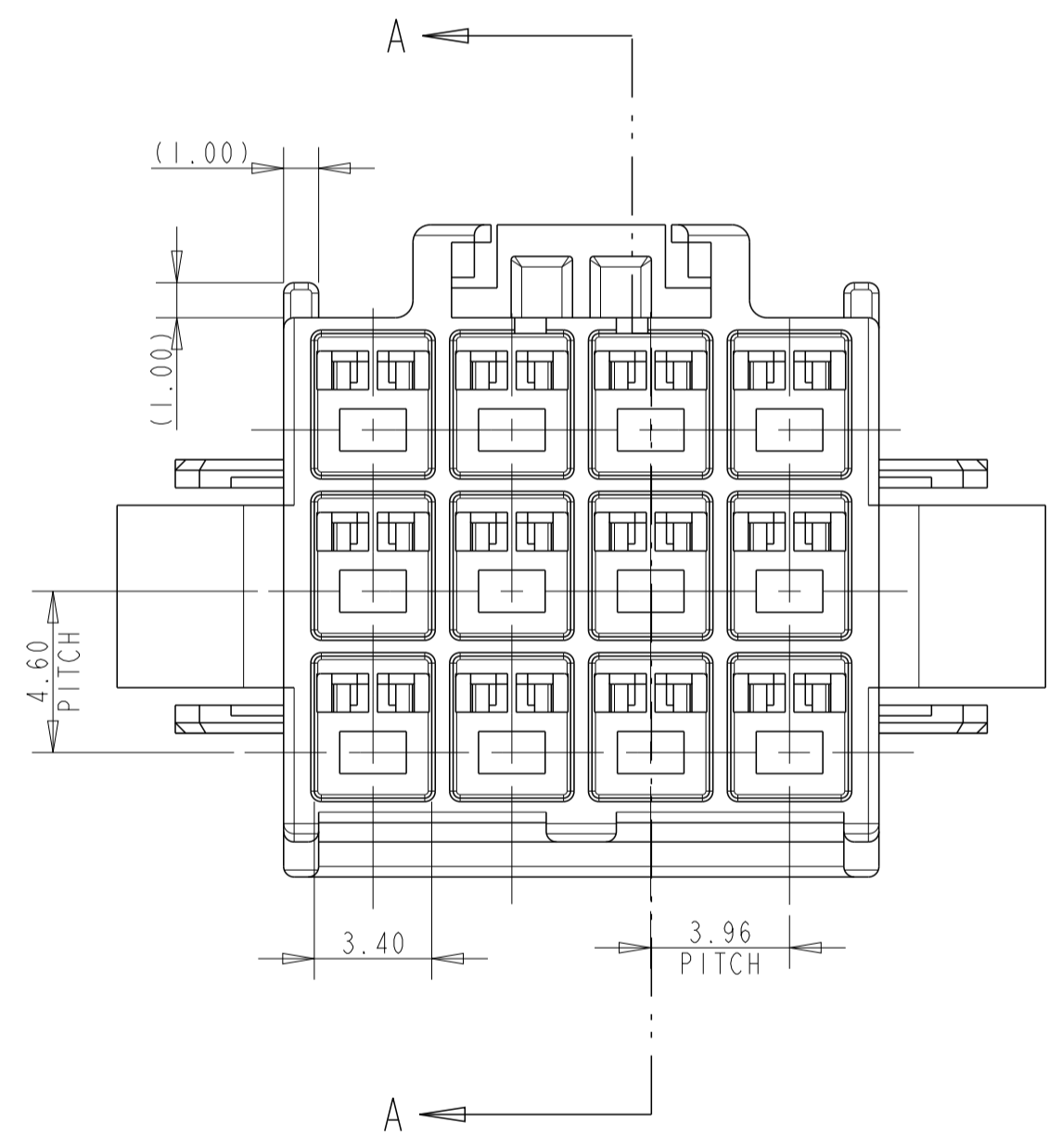


FIG 1
(RECOMMENDED PANEL OPENING DIMENSION)



- NOTES:
- 1 APPLICABLE CONTACT P/N:
TAB CONTACT: 175150-□ (20-16 AWG)
175149-□ (26-22 AWG)
 - 2 MATING CONN. P/N:
PLUG HSG: 176278-□
REC CONTACT: 175152-□ (20-16 AWG)
175151-□ (26-22 AWG)
 - 3 INSTRUCTION SHEET: IS-503J.
 - 4 APPLICABLE PANEL THICKNESS : 0.8-2.0 (SEE FIG 1).
 - 5 INSERT CONN. FROM FREE DIRECTION SIDE FOR METAL PANEL.
 - 6 EAGE OF THICKNESS WAY MUST NOT ROUND FOR MOLDED PANEL.

DISCONTINUED	— BLACK	12	176299-9
DISCONTINUED	— BLUE	12	176299-6
DISCONTINUED	— YELLOW	12	176299-4
DISCONTINUED	— RED	12	176299-2
	NATURAL	12	176299-1
	HOUSING COLOR	POSITION	PART NUMBER

THIS DRAWING IS A CONTROLLED DOCUMENT.

DIMENSIONS:	TOLERANCES UNLESS OTHERWISE SPECIFIED:	DWN Y. NARISAWA 25APR1990	CHK Y. FUJITA 19NOV1990
mm	0 PLC ±.25 1 PLC ±0.25 2 PLC ±0.20 3 PLC ±. 4 PLC ±. ANGLES ±°	APVD N. ONOUE 20NOV1990	NAME AMP UNIVERSAL POWER CONN, 3.96MM PITCH CAP HOUSING 12 POS (PANEL MOUNT)
MATERIAL 6/6 NYLON (UL94V-0)	FINISH	PRODUCT SPEC 108-5302	APPLICATION SPEC 114-5142
		WEIGHT	SIZE CAGE CODE DRAWING NO. A 00779 C=176299
		CUSTOMER DRAWING	RESTRICTED TO
		SCALE 5:1	SHEET 1 OF 1 REV B

TE Connectivity