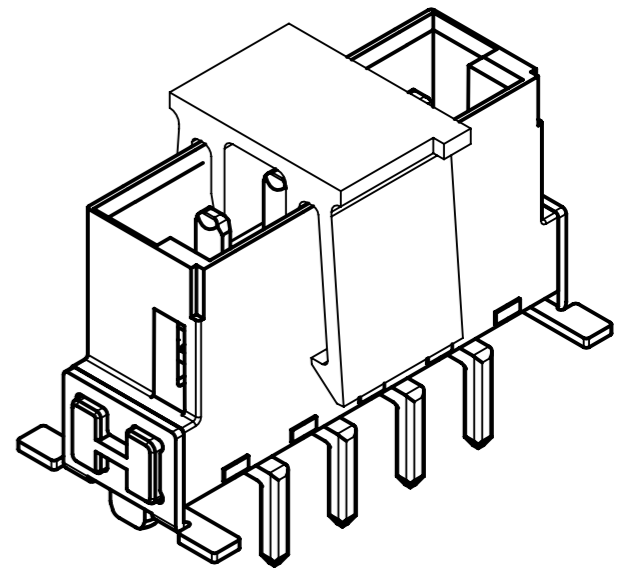


Poles P=	Part number	A	B	C	D	E	F	G
2	1552 002 X701 XXX	2,54	8,23	10,16	7,03	6,03	7,83	1,69
3	1552 003 X701 XXX	5,08	10,77	12,70	9,57	8,57	10,37	2,96
4	1552 004 X701 XXX	7,62	13,31	15,24	12,11	11,11	12,91	4,23
5	1552 005 X701 XXX	10,16	15,85	17,78	14,65	13,65	15,45	5,50
6	1552 006 X701 XXX	12,7	18,39	20,32	17,19	16,19	17,99	6,77
12	1552 012 X701 XXX	27,94	33,63	35,56	32,43	31,43	33,23	14,39

Packaging	
tape & reel with 200 pcs per reel	000
samples	333

Performance level	
PL1 : > 500 mating cycles	2



Further technical information see data sheet

	All rights reserved	Created by CHENSK	Inspected by WANGSTE	Standardisation 302077	Date 2020-11-02	State Final Release	Ref. Sub.
	Department EL PD	Title Har-flex str male pwr conn THR 3.25mm				Doc-Key / ECM-Nr. 100780677/UGD/001/B 500000182171	
HARTING Electronics GmbH D-32339 Espelkamp		Type TB	Number 1552XXXX701XXX			Rev. B	Page 1/2

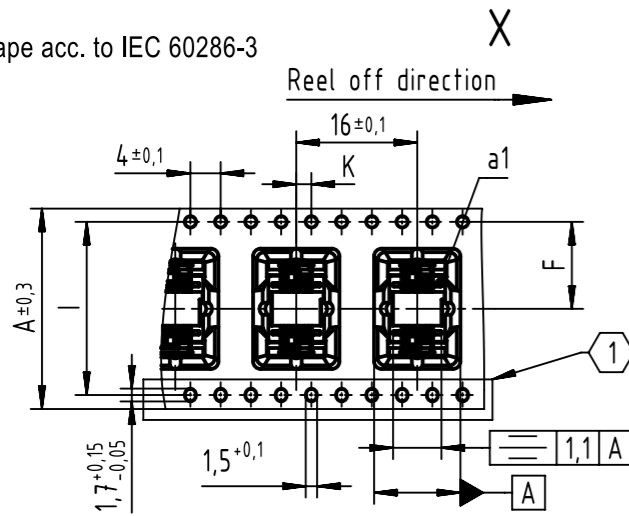


har-flex[®] straight male power connector



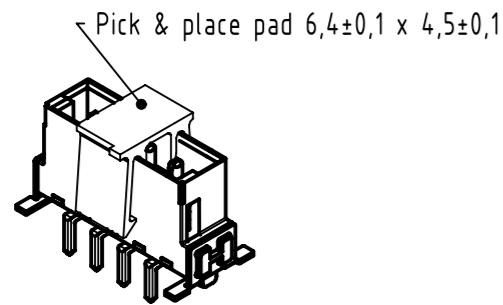
TAPE LAYOUT & PACKAGING

Tape acc. to IEC 60286-3



Tape dimensions:	A	F	I	K
poles 02 and 03	24,0	11,5±0,1	-	2±0,1
poles 04 and 05	32,0	14,2±0,1	28,4	2±0,1
poles 06 to 12	44,0	20,2±0,1	40,4	2±0,15

1 NO DOUBLE SPROCKET HOLES FOR 02 AND 03 POLE NUMBERS (TAPE SIZE 24)

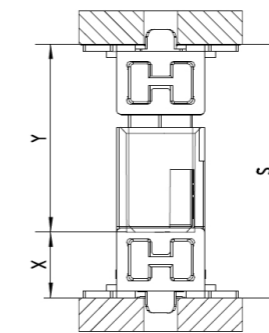


Packaging indices ("XXX" in part number)			
Index	Stacking height	Packaging unit	Packaging
000	3,25mm	200	Tape&reel
333	All	1	Tape

APPLICATION INFORMATION

S	15mm	
	14mm	
	13mm	
	12mm	
	11mm	
	10mm	
	9mm	
X&Y	stacking heights	male 3.25mm female 9.05mm
	S	PCB distance part numbers
		12.3mm- 13.8mm 1552... 1562...

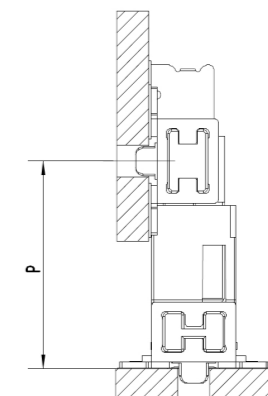
Straight female



Straight male

3,25	9,05	12,3	13,8
X	Y	Smin	* Smax

Angled female

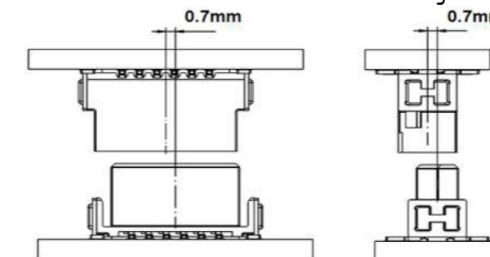


Straight male

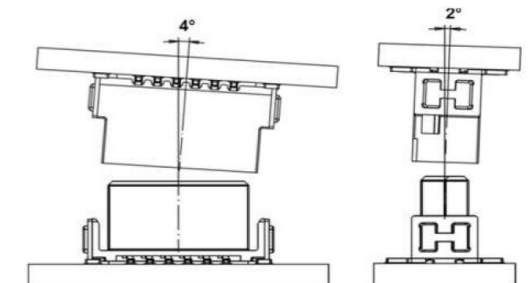
3,25	10,50
X	P min.

*Smax = Smin +1.5 wiping length with additional contact overlap security

Admissible mismatching

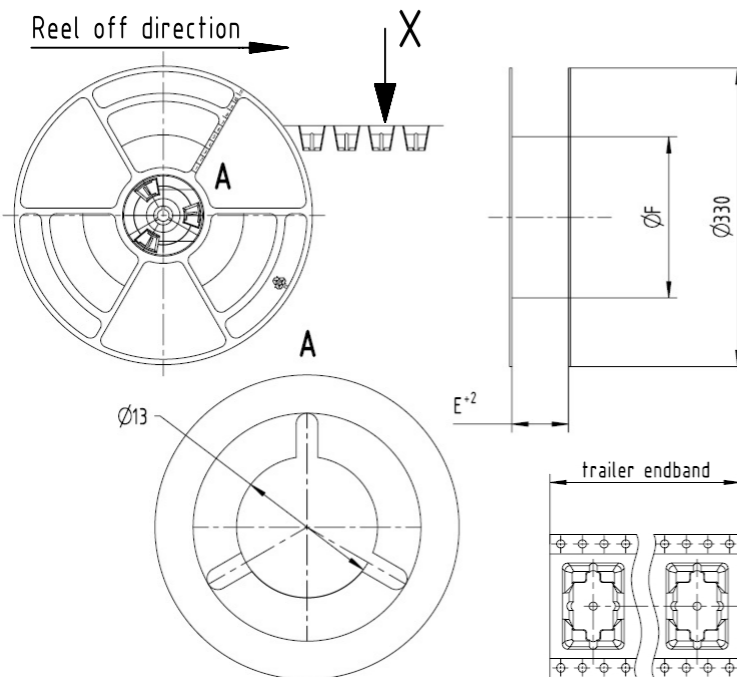


Admissible inclination



REEL DIMENSIONS

Reel off direction



Reel dimensions:	E	F
Poles 02 and 03	24,4	178mm for stacking height 3,25mm
Poles 04 and 05	32,4	
Poles 06 to 12	44,4	



All Dimensions in mm
Original Size DIN A3

Scale
1:1

Free size tol.

Ref.

Sub.



All rights reserved

Department EL PD

Created by
CHENSK

Inspected by
WANGSTE

Standardisation
302077

Date
2020-11-02

State
Final Release

Title
Har-flex str male pwr conn THR 3.25mm

Doc-Key / ECM-Nr.
100780677/UGD/001/B
500000182171

HARTING Electronics GmbH

D-32339 Espelkamp

Type
TB

Number
1552XXXX701XXX

Rev.
B

Page
2/2