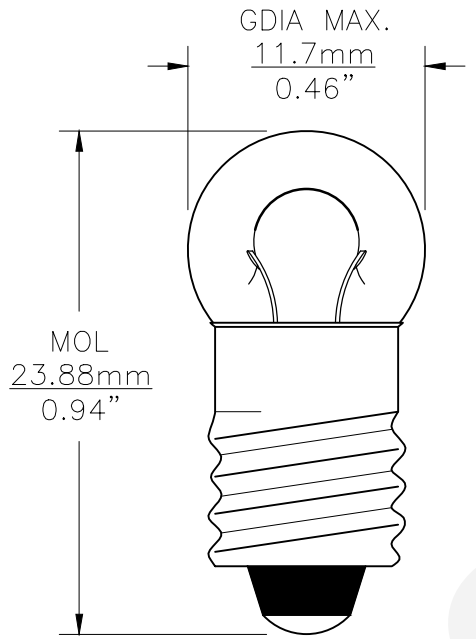


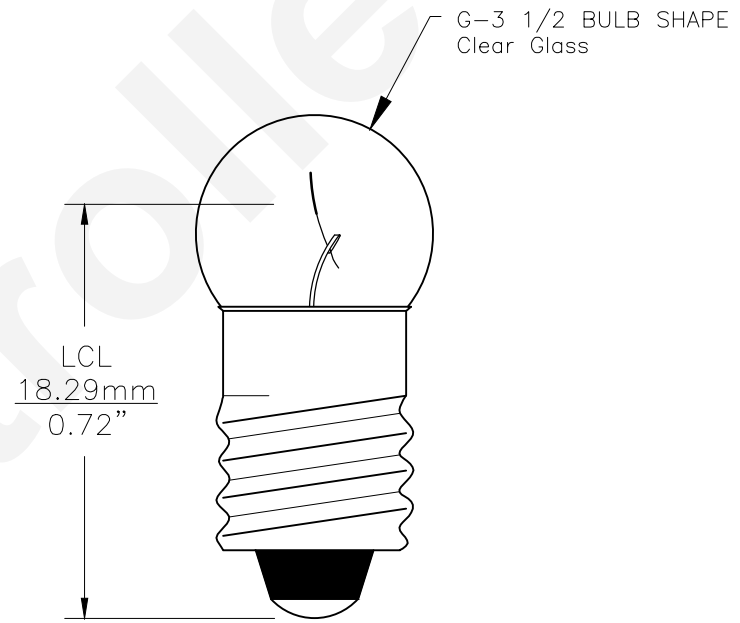


Since 1959

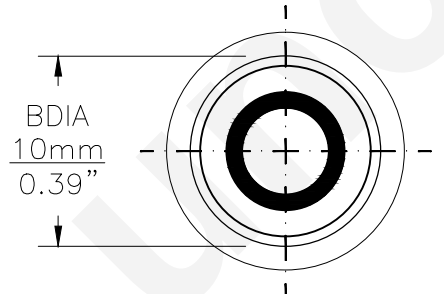
PART NO.	BASE TYPE	DESIGN VOLTS	DESIGN AMPS	MSCD	FILAMENT TYPE	AVERAGE LIFE HOURS	REVISIONS			
							REV #	DESCRIPTION	DATE	APPROVED
1446	Miniature Screw (E10)	12.0V	0.20±10%	1.7±20%	C-2R	250	1	ISSUED	09/05/2018	R.M.



0° VIEW



90° VIEW



BASE BOTTOM VIEW

G-3 1/2 BULB SHAPE
Clear Glass

Note: Made according to SAE specifications



UNLESS OTHERWISE SPECIFIED: DIMENSIONS ARE IN INCHES TOLERANCES		CEC INDUSTRIES LTD			
DECIMALS	ANGULAR	599 BOND STREET		LINCOLNSHIRE, IL 60069	
.XX ± .05	± 0.5°	TITLE LIGHT BULB NO. 1446			
.XXX ± .010		SIZE A	FSCM NO.	DWG NO. 1446	REV 1
FRACTIONAL	±1/64	DESIGN	SCALE	PLOT SCALE	SHEET 1 OF 1
DRAWN ROSE MEDINA		DATE 09/05/2018		MATERIAL	
CHECKED		FILE 1446.pdf		DRAWING NOT TO SCALE	