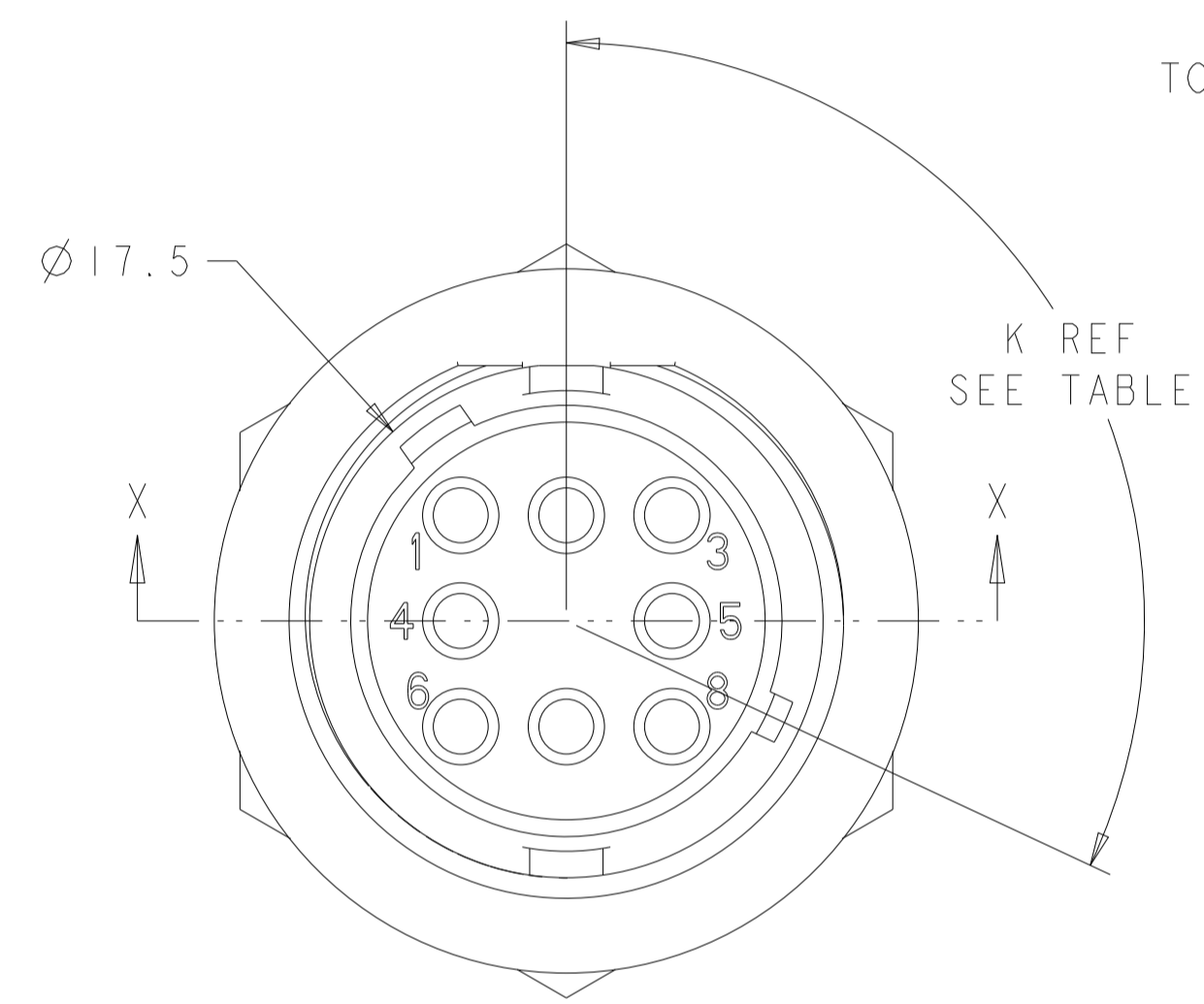
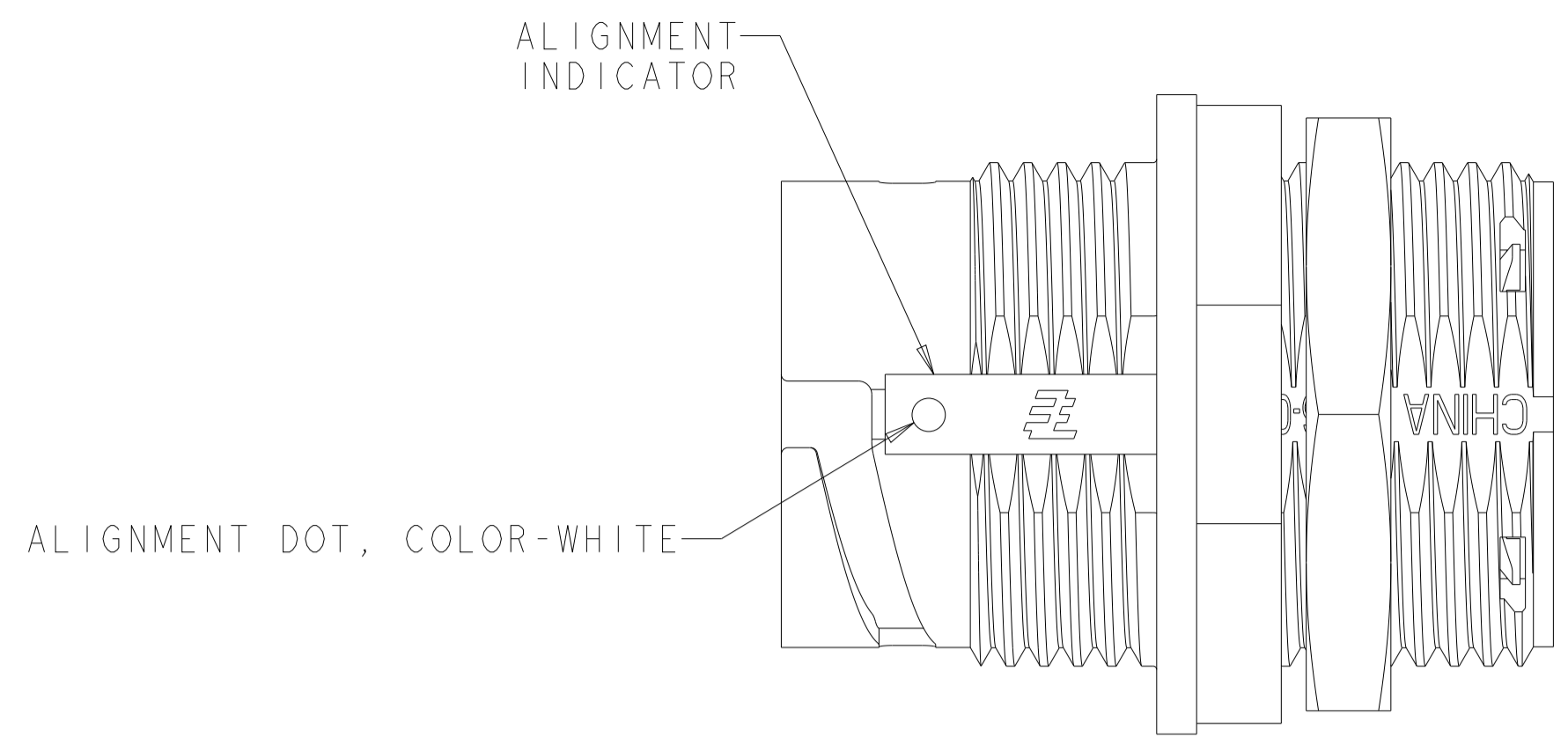
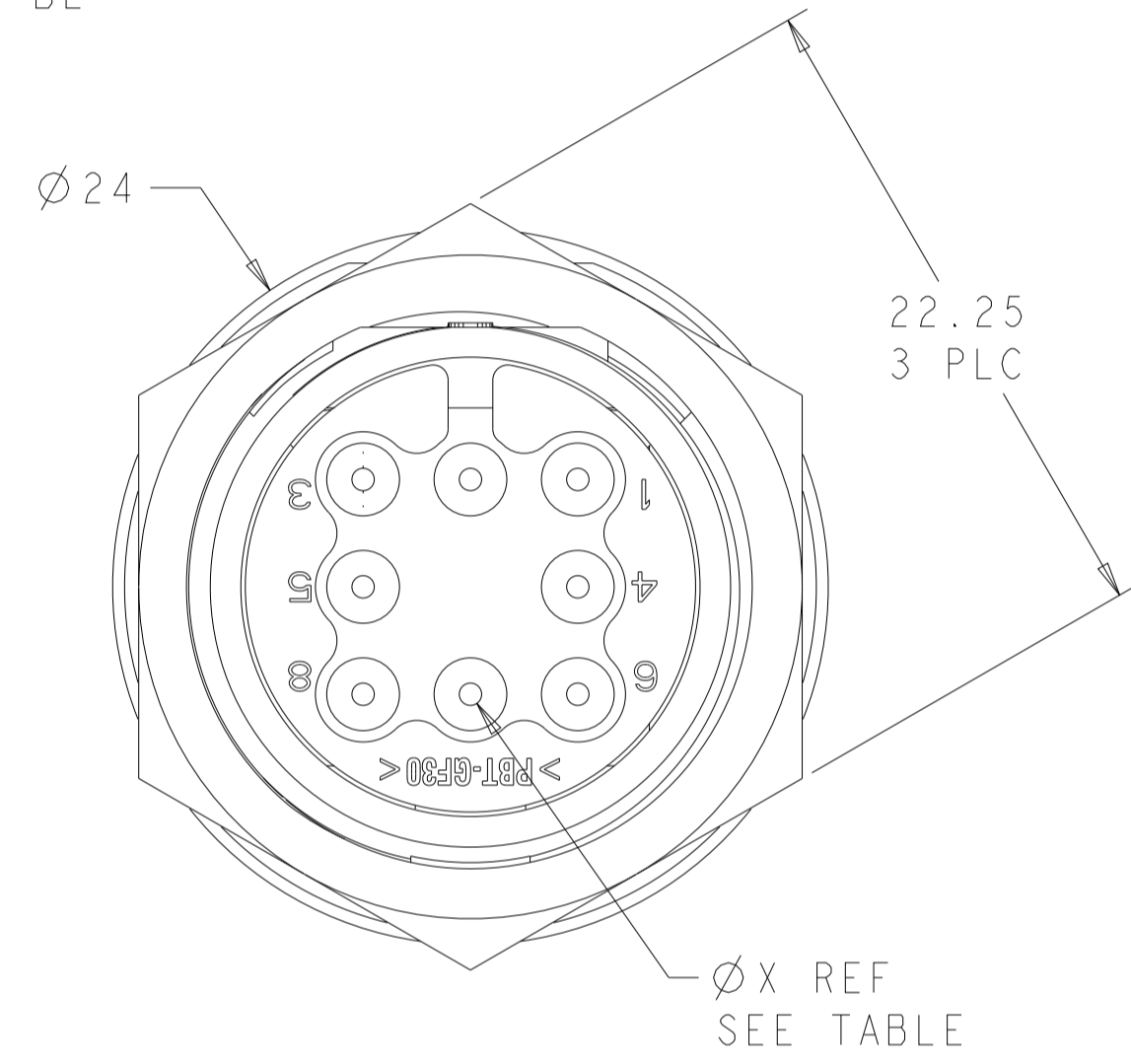
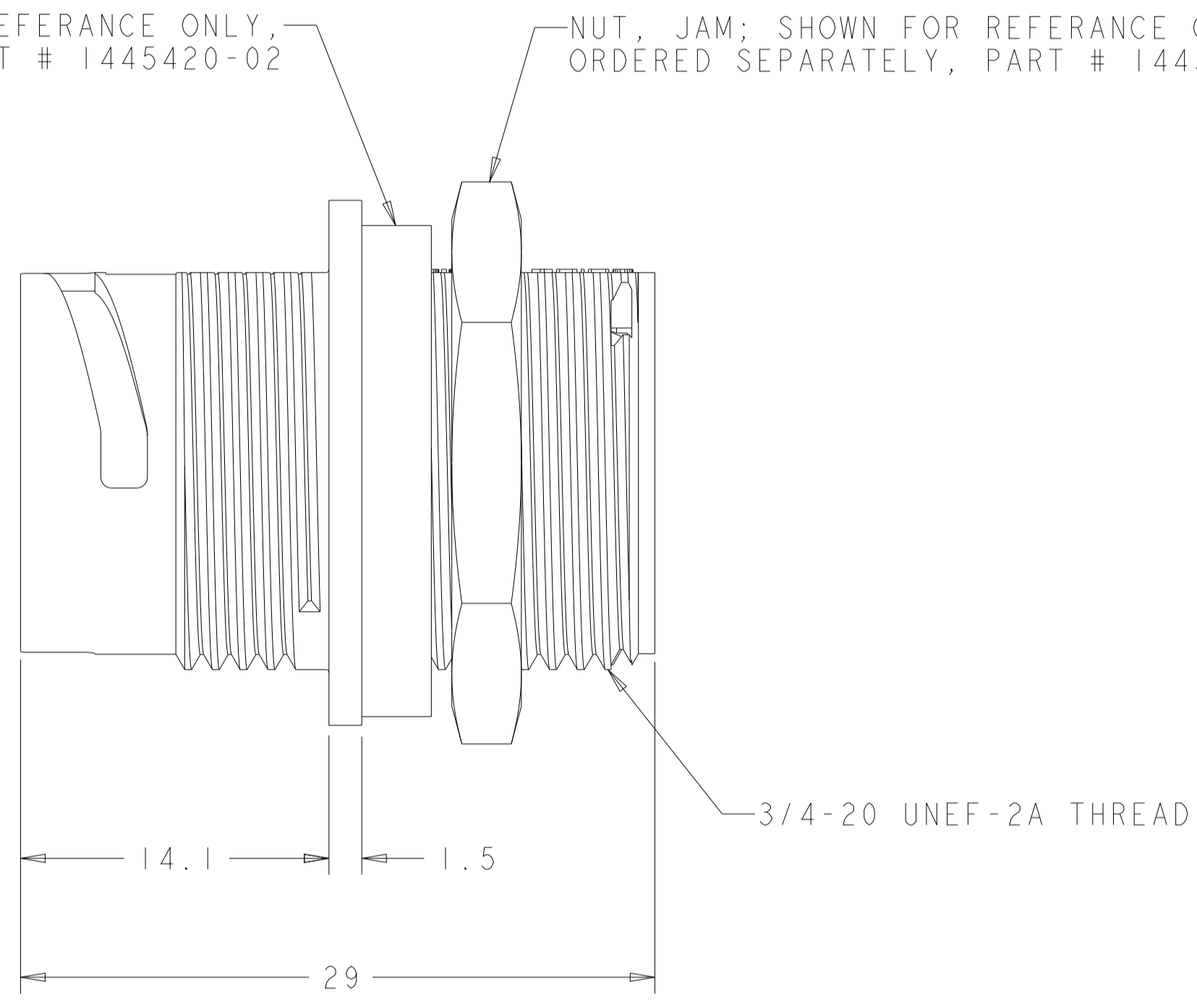


REVISIONS				
P	LTN	DESCRIPTION	DATE	APVD
D		REVISED PER ECN-22-136865	01FEB2022	RK MZ

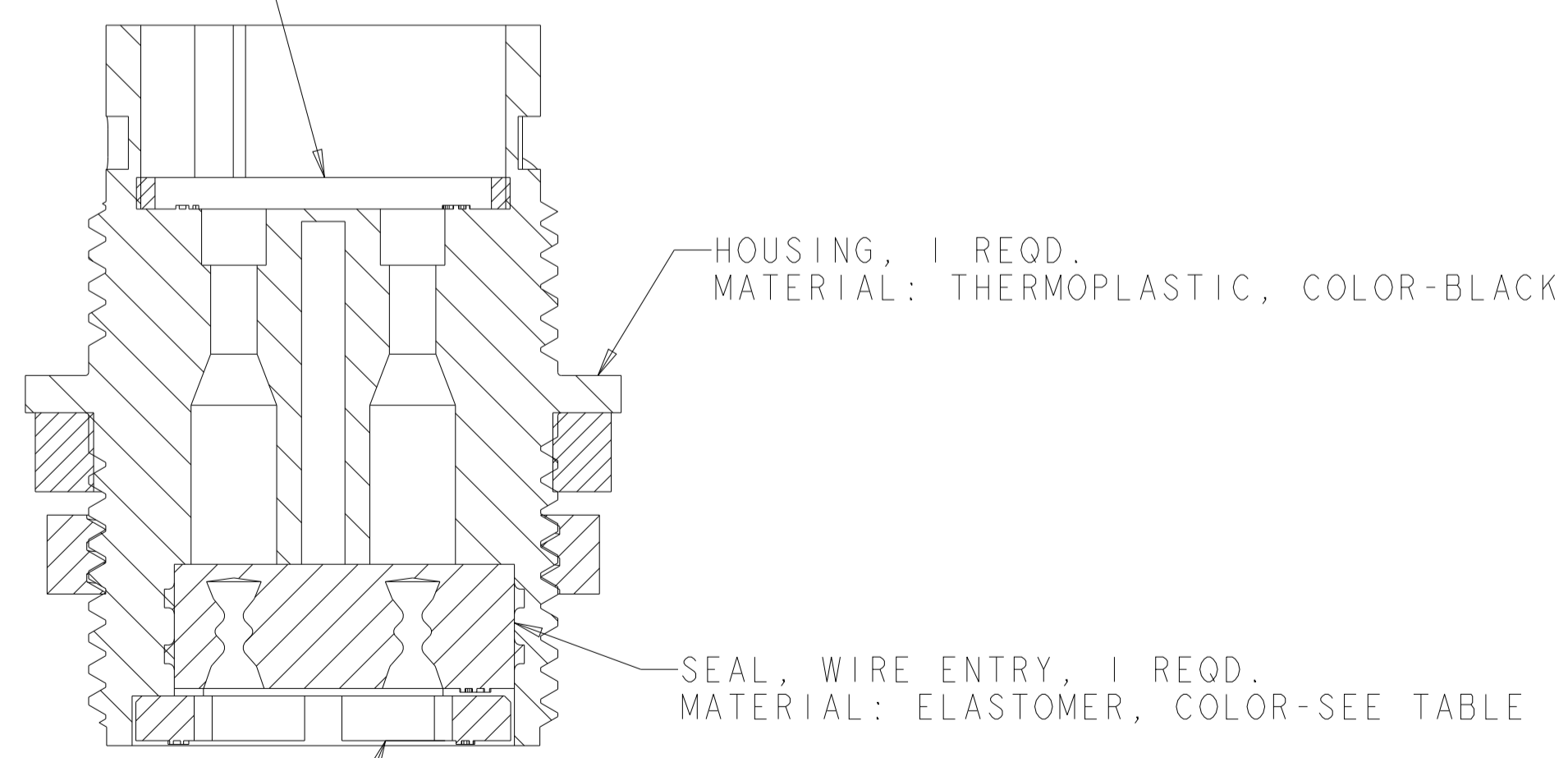


SEAL, PANEL, SHOWN FOR REFERENCE ONLY, TO BE ORDERED SEPARATELY, PART # 1445420-02

NUT, JAM: SHOWN FOR REFERENCE ONLY, TO BE ORDERED SEPARATELY, PART # 1445904-1

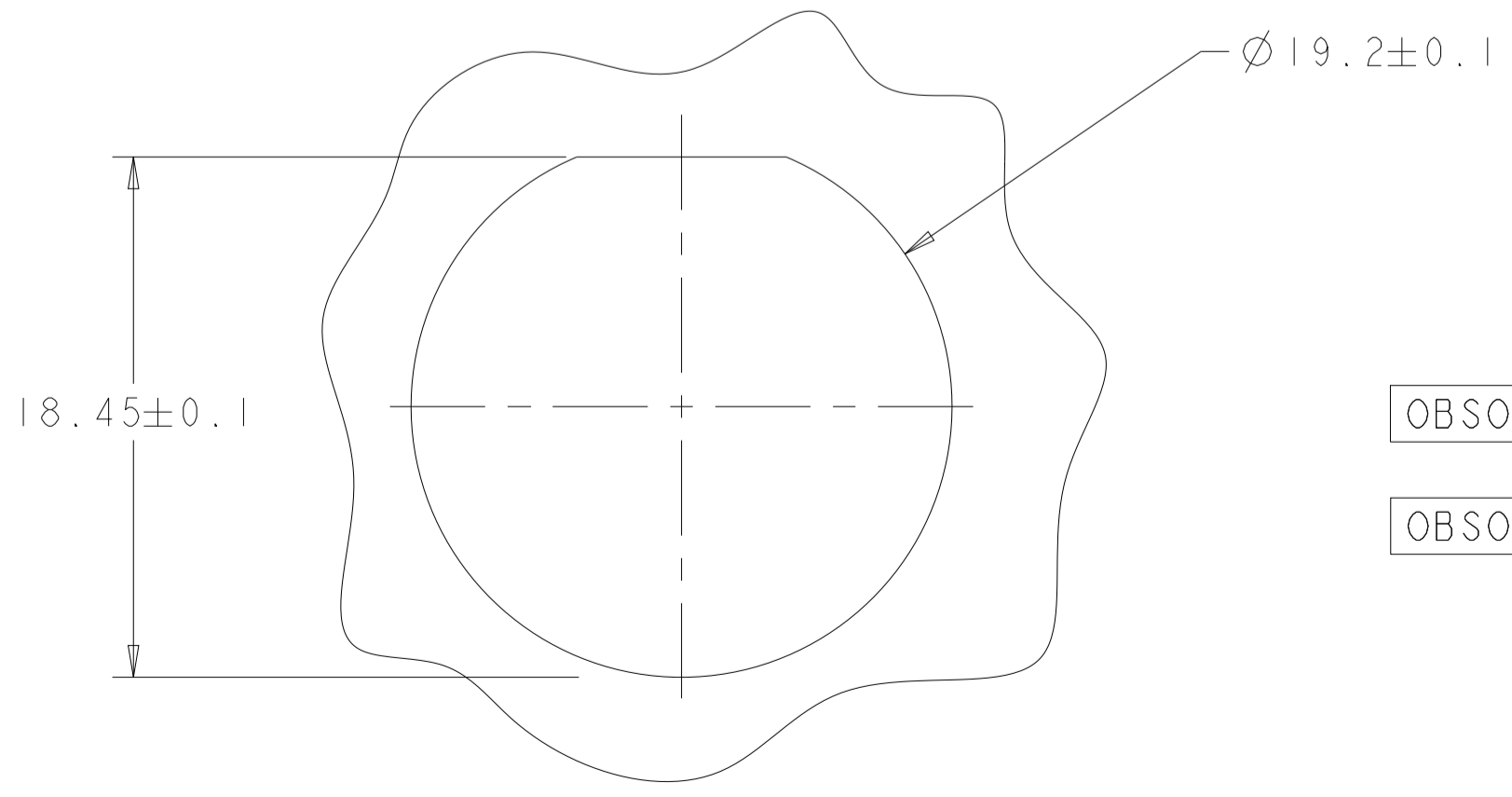


SEAL, PERIPHERAL, 1 REQD.
 MATERIAL: ELASTOMER, COLOR-BLACK



RETAINER, SEAL, 1 REQD.
 MATERIAL: THERMOPLASTIC, COLOR-BLACK

SECTION X-X



SUGGESTED PANEL CUTOUT

1. CONNECTOR CAN BE FRONT OR REAR PANEL MOUNTED.
 △ MAX PANEL THICKNESS - 3.18

OBSOLETE	YELLOW	Ø0.75	135°	1445821-04
	NATURAL	Ø1.5	115°	1445821-03
OBSOLETE	NATURAL	Ø1.5	135°	1445821-02
	YELLOW	Ø0.75	115°	1445821-01
	SEAL, WIRE ENTRY COLOR	ØX REF	K REF	PART NUMBER

THIS DRAWING IS A CONTROLLED DOCUMENT.

SHANE WIESE 12OCT2001
 G DOUITY 12OCT2001

H. WAKEEM 13JUN2003

NAME ASSEMBLY, RECEPTACLE, SIZE 11, 8 POSITION, PANEL MOUNT, SEALED, MINI CPC

SIZE A100779 CAGE CODE 1445821 DRAWING NO. 1445821

SCALE 4:1 SHEET 1 OF 1 REV D