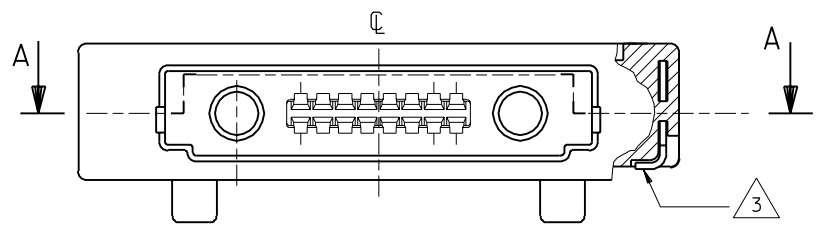
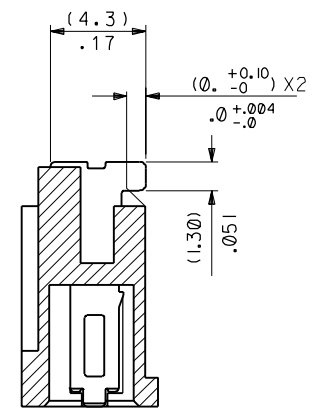
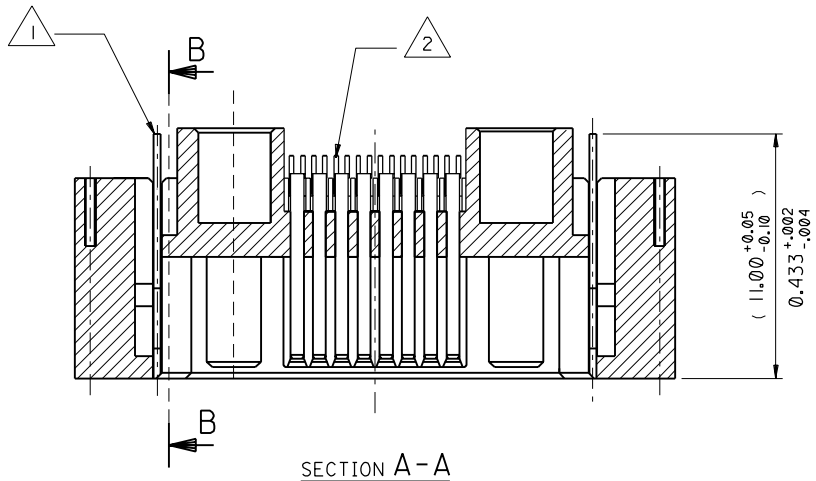


10 9 8 7 6 5 4 3 2 1

PART NO. SDA-90811-0106
 DWG. NO. 90811-0106



FOR MISSING DIMENSIONS SEE DRAWING SDA-90811-0109.

2	A
1	A
SHL.	REV.

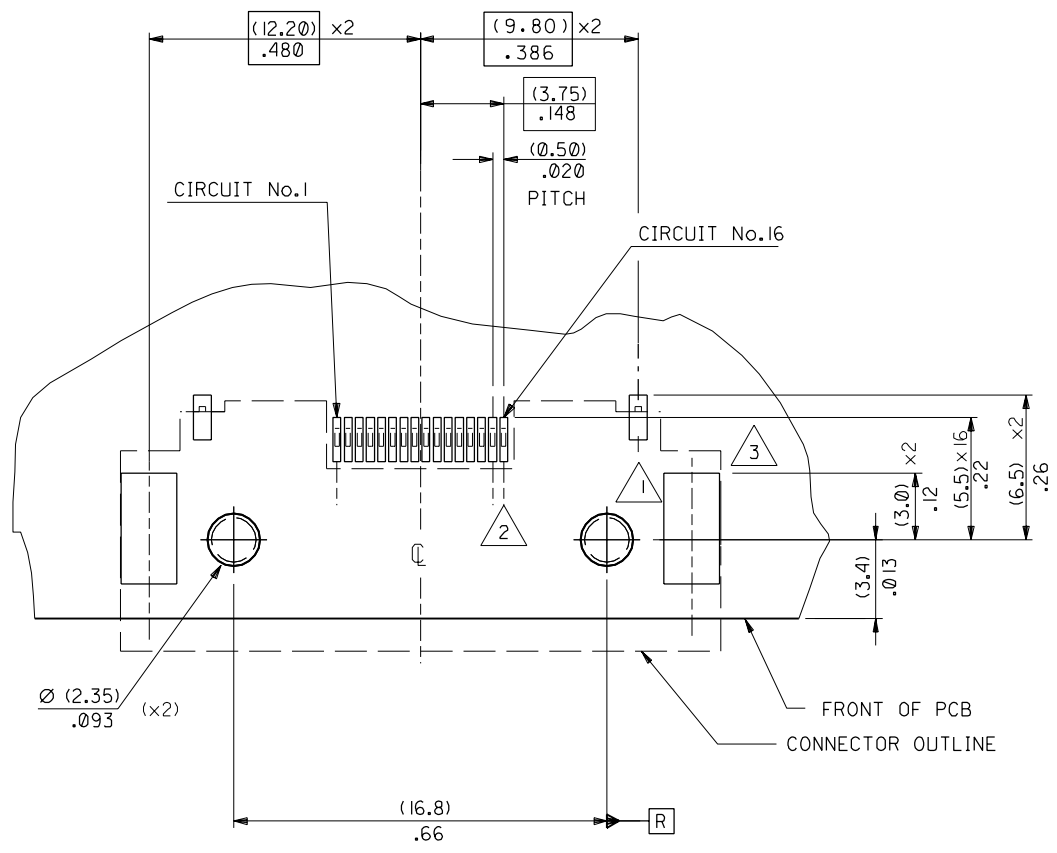
FOR PREVIOUS DRAWING ISSUES SEE MRI.

ORIGINAL RELEASE ECN E50434 95.03.29 HDU	DIMENSIONS SHOWN (METRIC) INCH UNLESS OTHERWISE SPECIFIED TOLERANCES: ANGULAR ± 1/2°	DRWG BY HDU												
LTR A	<table border="1"> <thead> <tr> <th></th> <th>INCH</th> <th>(METRIC)</th> </tr> </thead> <tbody> <tr> <td>3 PLACE</td> <td>± .002</td> <td></td> </tr> <tr> <td>2 PLACE</td> <td>± .004</td> <td>± 0.05</td> </tr> <tr> <td>1 PLACE</td> <td></td> <td>± 0.10</td> </tr> </tbody> </table>		INCH	(METRIC)	3 PLACE	± .002		2 PLACE	± .004	± 0.05	1 PLACE		± 0.10	CHK'D BY
		INCH	(METRIC)											
3 PLACE	± .002													
2 PLACE	± .004	± 0.05												
1 PLACE		± 0.10												
	DRAFT WHERE APPLICABLE MUST REMAIN WITHIN DIMENSIONS	APP'D BY												
	DESIGN DIMENSION (PRIMARY) <input checked="" type="checkbox"/> (MM) <input type="checkbox"/> IN.	SCALE												
	EQUIVALENT DIMENSION (SECONDARY) <input type="checkbox"/> (MM) <input checked="" type="checkbox"/> IN.	5:1												

REVISE ONLY ON CAD SYSTEM	
CAD/CAM FILENAME S908116 DGN	THIS DRAWING CONTAINS INFORMATION THAT IS PROPRIETARY TO MOLEX INC. & SHOULD NOT BE USED WITHOUT WRITTEN PERMISSION
TITLE I/O CONNECTOR FOR MOBILE PHONE	
MOLEX EUROPE	
SHEET NO. 10F 2	DATE 95/03/29
PART NO. 90811-0106	DWG NO. SDA-90811-0106
SIZE B	

7132-1283 10 9 8 7 6 5 4 3 2 1

PART NO. **90811-0106**
 DWG. NO. **SDA-90811-0106**



FOR PREVIOUS
DRAWING ISSUES
SEE MRI.

A SEE SHEET I.

LTR	REVISIONS	DIMENSIONS SHOWN (METRIC) INCH	
		INCH	(METRIC)
		3 PLACE ± .002	
		2 PLACE ± .004	± 0.05
		1 PLACE ± .010	± 0.10
DRAFT WHERE APPLICABLE MUST REMAIN WITHIN DIMENSIONS			
		DESIGN DIMENSION (PRIMARY)	<input type="checkbox"/> IN. <input checked="" type="checkbox"/> (MM)
		EQUIVALENT DIMENSION (SECONDARY)	<input checked="" type="checkbox"/> (MM) <input type="checkbox"/> IN.

DRWG BY **HDU**
 CHK'D BY
 APP'D BY
 SCALE **5:1**

REVISE ONLY ON CAD SYSTEM		SH.	REV.
CAD/CAM FILENAME: P908116.DGN		THIS DRAWING CONTAINS INFORMATION THAT IS PROPRIETARY TO MOLEX INC. & SHOULD NOT BE USED WITHOUT WRITTEN PERMISSION	
TITLE: I/O CONNECTOR FOR MOBILE PHONE			
MOLEX EUROPE		SHEET NO. 20F	DATE 95/03/29
PART NO. 90811-0106	DWG NO. SDA-90811-0106	SIZE B	