

REVISIONS				
EC NO	DATE	REV	DESCRIPTION	CHANGER
	2016/04/13	A	INITIAL RELELASE.	DICK
	2016.04.27	A1	NO CHANGE	DICK

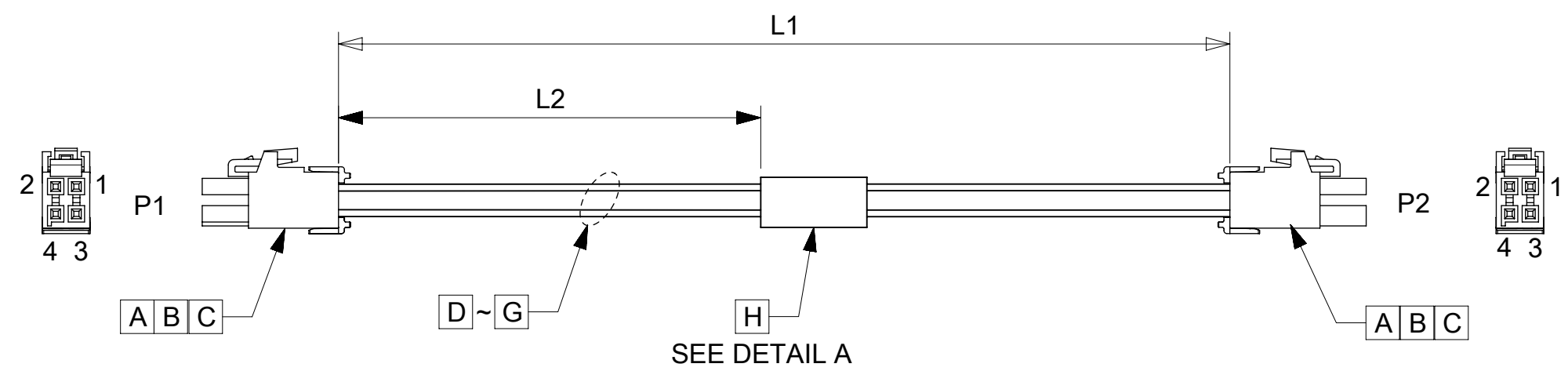
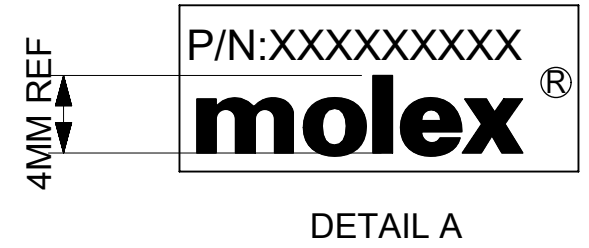


TABLE			
PART NUMBER	L1	L2	TITLE
451340401	150±10	65±8	Ultrafit 4 Circuit White 150MM
451340403	300±10	140±10	Ultrafit 4 Circuit White 300MM
451340410	1000±15	490±10	Ultrafit 4 Circuit White 1M



- NOTES**
1. THIS PRODUCT MUST MEET 2011/65/EU ROHS COMPLIANCE.  
此产品需符合 2011/65/EU ROHS环保要求.
  2. ELECTRICAL PERFORMANCE REFER TO ES-000.  
电气特性参考ES-000.
  - 3.LABEL TEXT MUST BE 2mm Min. IN HEIGHT WITH ARIAL FONT.  
标签字高最小2mm,字体ARIAL.
  - 4.CONNECTORS REFER TO PS-172323-0001 & AS-172323-0001.  
连接器应用参考PS-172323-0001 & AS-172323-0001.
  5. STICK UL LABEL ON THE OUTSIDE CARTON.  
外箱上贴UL标签.

H	Blank label 25.4x36.5mm (WHT:12.7mm)		1
G	1Cx16AWG,Plated,SR-PVC,Yellow,OD1.95mm,UL1061		A/R
F	1Cx16AWG,Plated,SR-PVC,Orange,OD1.95mm,UL1061		A/R
E	16AWG;Plated;SR-PVC;RED;OD1.95mm;UL1061		A/R
D	16AWG;Plated;SR-PVC;BLK;OD1.95mm;UL1061		A/R
C	ULTRA-FIT CRIMP TERM 16-18AWG TIN		8
B	ULTRA-FIT TPA V0 BLK 02 CKT		4
A	ULTRA-FIT RCPT HSG DUAL V0 NAT TPA 04 CK		2
ITEM	DESCRIPTION	L(MM)	Q'TY

WIRING CHART		
P1	P2	COLOR
1	2	BLACK
2	1	RED
3	4	ORANGE
4	3	YELLOW

<b>QUALITY SYMBOLS</b> ▽A = 0 ▽E = 0 ▽F = 0 ▽ = 0 ▽C = 0 ⊠ = 0 ■ = 0 ▽ = 0	THIS DRAWING CONTAINS INFORMATION THAT IS PROPRIETARY TO MOLEX ELECTRONIC TECHNOLOGIES, LLC AND SHOULD NOT BE USED WITHOUT WRITTEN PERMISSION		DIMENSION UNITS: mm SCALE: NTS			
	GENERAL TOLERANCES (UNLESS SPECIFIED) ANGULAR TOL ± °		DRWN BY: WLXIE DATE: 2016/03/01			SEE TABLE
	4 PLACES ± 3 PLACES ± 2 PLACES ± 1 PLACE ± 0 PLACES ±		CHK'D BY: DHUANG16 DATE: 2016/03/28			
	DRAFT WHERE APPLICABLE MUST REMAIN WITHIN DIMENSIONS		APPR BY: YXZOU DATE: 2016/04/19			PRODUCT CUSTOMER DRAWING
EC NO: 104565 DRWN: WLXIE CHK'D: YXZOU APPR: YXZOU		A3 THIRD ANGLE PROJECTION		SERIES: 201234 MATERIAL NUMBER: SEE TABLE CUSTOMER: GENERAL MARKET		
A1		A3		DOCUMENT NUMBER: 2012341008 DOC TYPE: PSD DOC PART: 000 SHEET NUMBER: 1 OF 1		