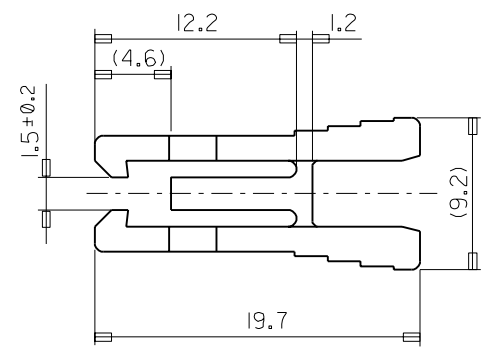
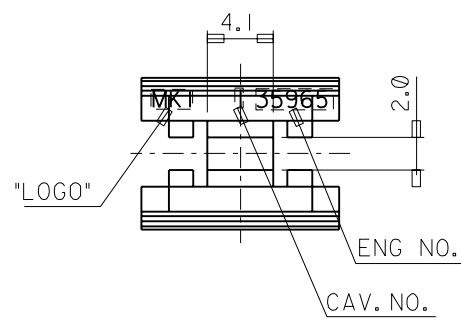
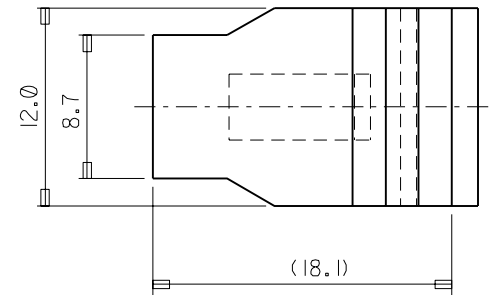


DWG. NO. SD 35965-5003
 PROJECT NO. KOR 98-019
 SIMILAR ITEM
 DO NOT SCALE DRAWING DIMENSION IN METRIC

8 7 6 5 4 3 2 1

F
 E
 D
 C
 B
 A

- NOTE
1. MATERIAL : POLYESTER
 2. COLOR : YELLOW
 3. FRASH & BURR : 0.10 MAX.
 4. LETTER SIZE : W:1.0mm, H:0.1mm



NEW RELEASED EC NO. KOR 1998-0116 DRWN: C.Y. CHO CHK: B.K. CHOI APPR: C.W. LEE	DESCRIPTION MAJOR CRITICAL	GENERAL TOLERANCES: (UNLESS SPECIFIED)		SCALE 3:1	DESIGN UNITS <input checked="" type="checkbox"/> mm <input type="checkbox"/> INCH	DIMENSIONS: <input type="checkbox"/> mm <input type="checkbox"/> INCH <input checked="" type="checkbox"/> mm ONLY	SHT REV
		4 PLACES ± 0.20 mm \pm INCH 3 PLACES ± 0.20 mm \pm INCH 2 PLACES ± 0.20 mm \pm INCH 1 PLACE ± 0.20 mm \pm INCH	DRAWN BY & DATE C.Y. CHO 98/04/01 CHECKED BY & DATE B.K. CHOI 98/04/01 APPROVED BY & DATE C.W. LEE 98/04/01	TITLE: FUSE PULLER FOR M100 F/B		THIS DRAWING CONTAINS INFORMATION THAT IS PROPRIETARY TO MOLEX INCORPORATED AND SHOULD NOT BE USED WITHOUT WRITTEN PERMISSION.	REVISE ON CAD ONLY
A	REV	DRAFT WHERE APPLICABLE MUST REMAIN WITHIN DIMENSIONS		CAD FILENAME SD35965.DGN	MATERIAL NO. SD 35965-5003	DRAWING NO. SD 35965-5003	SHEET NO. 1/1 SIZE B

8 7 6 5 4 3 2 1