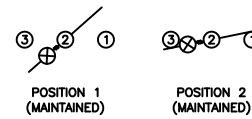


SCHEMATIC



SPECIFICATIONS

FUNCTION:
1P1T OFF-ON

RATINGS:
ANSI/UL 1054 and CAN/CSA C22.2 No. 55 (E194579):
10A 125VAC [UR, cUR]
EN 61058-1:2002:
6A 250V~ μ 1E4 T85/55 [ENEC14]

ILLUMINATION VOLTAGE:
12V

CONTACT RESISTANCE:
Initial: 35mΩ Max. at 50VAC

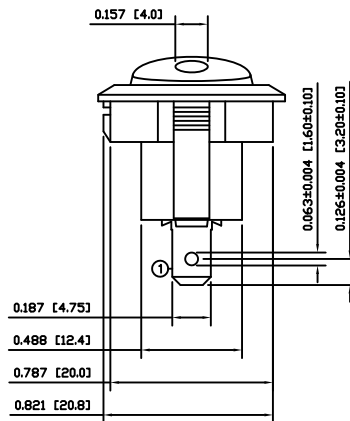
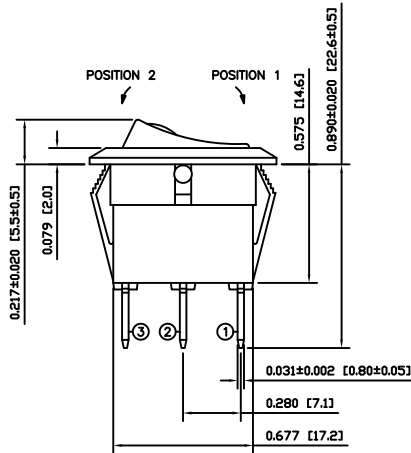
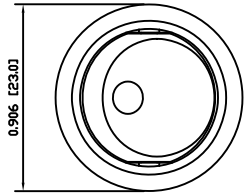
INSULATION RESISTANCE:
100MΩ Min. at 500VDC

DIELECTRIC STRENGTH:
1,500VAC For 1 Minute

ELECTRICAL LIFE:
6,000 Cycles [UR, cUR]
10,000 Cycles [ENEC14]

TEMPERATURE:
Operating: -20°C to 105°C [UR, cUR]
Operating: -20°C to 85°C [ENEC14]

APPROVALS:



COLORS AND MARKINGS

BODY:
Black

ACTUATOR:
Black

LENS:
Transparent Red

MARKINGS:
None

MARKING COLOR:
None

MATERIALS

BODY:
Polyamide 6/6 (PA66), UL94 V-2

ACTUATOR:
Polyamide 6/6 (PA66), UL94 V-2
Polycarbonate (PC), UL94 V-2

LAMP CARRIER:
Polyamide 6/6 (PA66), UL94 V-2

LAMP:
LED

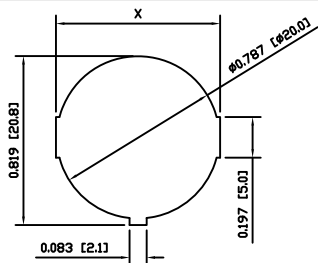
SPRING:
Steel

SPRING COVER:
Steel

CONTACTS:
Silver Alloy Plated Copper

TERMINALS:
Silver Plated Copper
Brass

SUGGESTED PANEL CUTOUT



| PANEL THICKNESS | X |
|-------------------------|--------------|
| 0.030~0.049 [0.75~1.25] | 0.795 [20.2] |
| 0.049~0.079 [1.25~2.00] | 0.803 [20.4] |
| 0.079~0.118 [2.00~3.00] | 0.811 [20.6] |

| ACTUATOR | A | 09/08/10 | CAB |
|----------------|------|----------|-----|
| BODY | B | 10/03/31 | CAB |
| COLORS | A | 09/08/10 | CAB |
| MATERIALS | - | - | - |
| SPECIFICATIONS | A | 09/08/10 | CAB |
| REFERENCE | REV. | DATE | BY |

THE INFORMATION CONTAINED IN THIS DOCUMENT IS PROPRIETARY TO E-SWITCH-LAMP INDUSTRIES AND IS NOT TO BE COPIED OR TRANSFERRED

| C | REV. | DESCRIPTION | 23442 | 07/12/18 | MJR |
|---|------|----------------------|-------|----------|----------|
| B | | REMOVED SEMKO RATING | 22882 | 01/19/17 | MW |
| A | | update Lamp to LED | 18314 | 10/09/22 | CAB |
| | | INITIAL RELEASE | PCR | DATE | DRAWN BY |

| DIMENSIONS | |
|----------------------|------------|
| INCHES [MILLIMETERS] | |
| GENERAL TOLERANCES | |
| ±0.008 [±0.2] / ±1' | |
| SCALE | PROJECTION |
| DRAWING NOT TO SCALE | |

E-SWITCH®

RR11131100-214

ITEM NUMBER: 38-RR11131100214
DATE: SEPTEMBER 22, 2010
REVISION: C