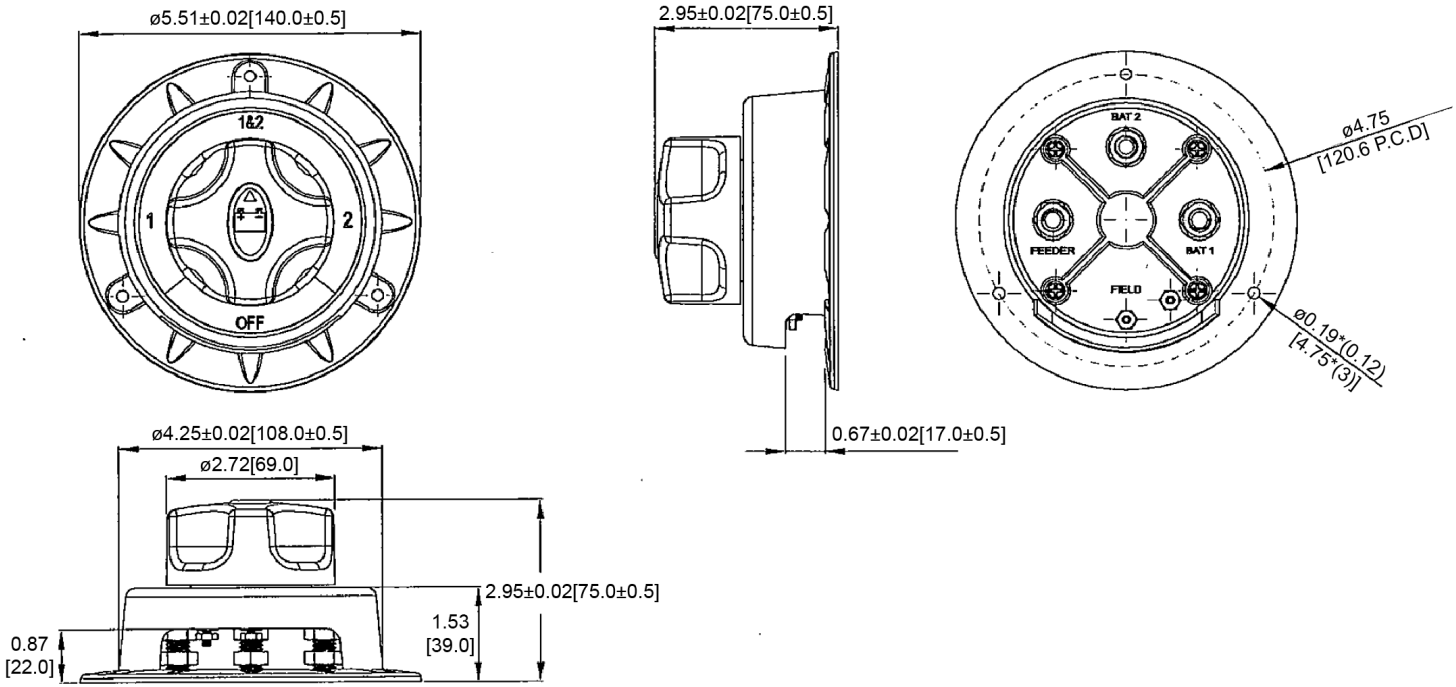


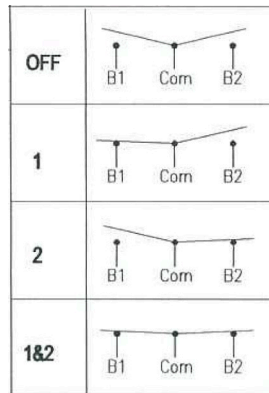
Mechanical Dimensions: Inches [mm]

Tolerances ± 0.012 [0.3] Unless Otherwise Specified



Circuit Diagram

OFF - BAT#1 - BOTH - BAT#2



Electrical Specifications

Continuous Rating	200A 12-50V DC
Intermittent Rating	300A
Cranking Rating	1000A for 5secs
Insulation Resistance	DC 1000V 100M ohm Min.
Operation Temperature	-20°C ~ 80°C

Material Specifications

	IP54
Housing	PBT (UL94V-0)
Bottom	PBT (UL94V-0)
Terminals / Contacts	Copper Alloy
Actuator	PBT (UL94V-0)

Rev	Date of issue	Revision Notes	Designed	Approved
A	12-14-2020	Initial Drawing	RC	OF