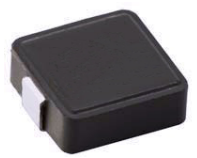


Shielded Power Inductor

ASPI-4020HI

 RoHS/RoHS II Compliant
MSL = 1



4.4 x 4.2 x 2.0mm

FEATURES:

- High saturation current
- Low loss due to low DC resistance
- Low profile with max thickness 2.1mm
- 100% lead free and meet RoHS standard
- Suitable for reflow soldering
- Highly reliable SMD package

APPLICATIONS:

- DC/DC converters in LED driver, Notebook, Tablet, Desktop and Server
- Low profile, high current power supplies

STANDARD SPECIFICATIONS

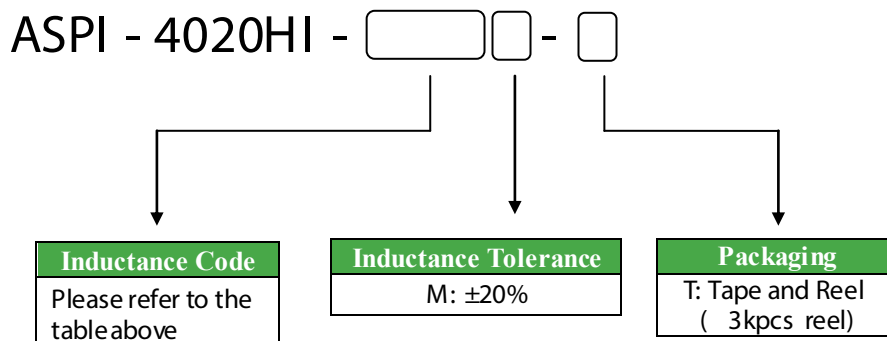
Abrakon P/N:	ASPI-4020HI Series
Operating Temperature & Humidity	-55°C to +125°C
Storage Temperature & Humidity:	-10 to + 40 °C, 70% RH max (In tape and reel)

Part Number ASPI-4020HI- Inductance Code	L(μH)	Tolerance M	DCR (mΩ) max.	Isat (A) Typ.	Irms (A) Typ.
ASPI-4020HI-R10	0.10	20%	4.0	22.0	13.0
ASPI-4020HI-R22	0.22	20%	6.6	12.5	9.5
ASPI-4020HI-R33	0.33	20%	11	12.0	10.0
ASPI-4020HI-R47	0.47	20%	14	9.5	7.5
ASPI-4020HI-R56	0.56	20%	16	10	7.0
ASPI-4020HI-R68	0.68	20%	18	9.0	7.0
ASPI-4020HI-1R0	1.0	20%	27	7.0	6.0
ASPI-4020HI-1R2	1.2	20%	27	7.0	6.0
ASPI-4020HI-1R5	1.5	20%	46	6.0	5.0
ASPI-4020HI-2R2	2.2	20%	58	5.0	4.5
ASPI-4020HI-2R7	2.7	20%	70	4.0	4.5
ASPI-4020HI-3R3	3.3	20%	87	4.0	3.3
ASPI-4020HI-4R7	4.7	20%	105	3.0	2.8
ASPI-4020HI-6R8	6.8	20%	175	2.5	2.4
ASPI-4020HI-100	10.0	20%	282	2.2	1.6
ASPI-4020HI-220	22.0	20%	363	1.4	1.2

I_{sat} would cause inductance to drop by about 30%.

I_{rms} would cause an ΔT of about 40°C.

PART NUMBER IDENTIFICATION



Shielded Power Inductor

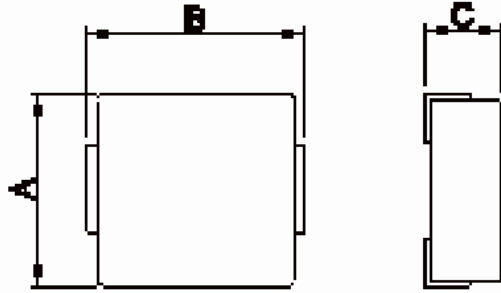
ASPI-4020HI

 RoHS/RoHS II Compliant
MSL = 1



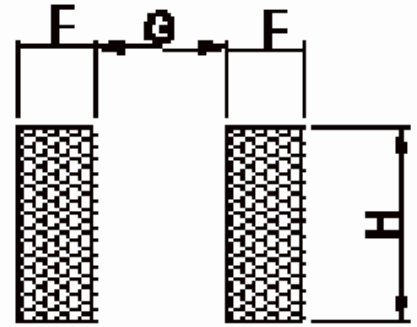
4.5 x 4.1 x 2.1mm

OUTLINE DRAWING:



A	B	C max.
4.2 ± 0.3	4.4 ± 0.35	2.0

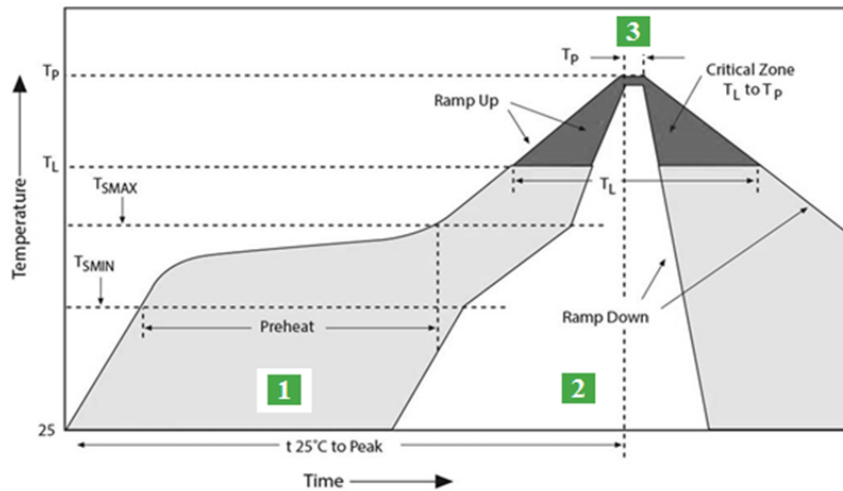
Recommended Land Pattern



F typ	G typ	H typ
1.5	2.2	2.5

Dimension: mm

REFLOW PROFILE



Zone	Description	Temperature	Times
1	Preheat	$T_{SMIN} \sim T_{SMAX}$ 150°C ~ 200°C	60 ~ 120 sec.
2	Reflow	T_L 217°C	60 ~ 90 sec.
3	Peak heat	T_P 255°C	10 sec. MAX

Shielded Power Inductor

ASPI-4020HI

 RoHS/RoHS II Compliant
MSL = 1

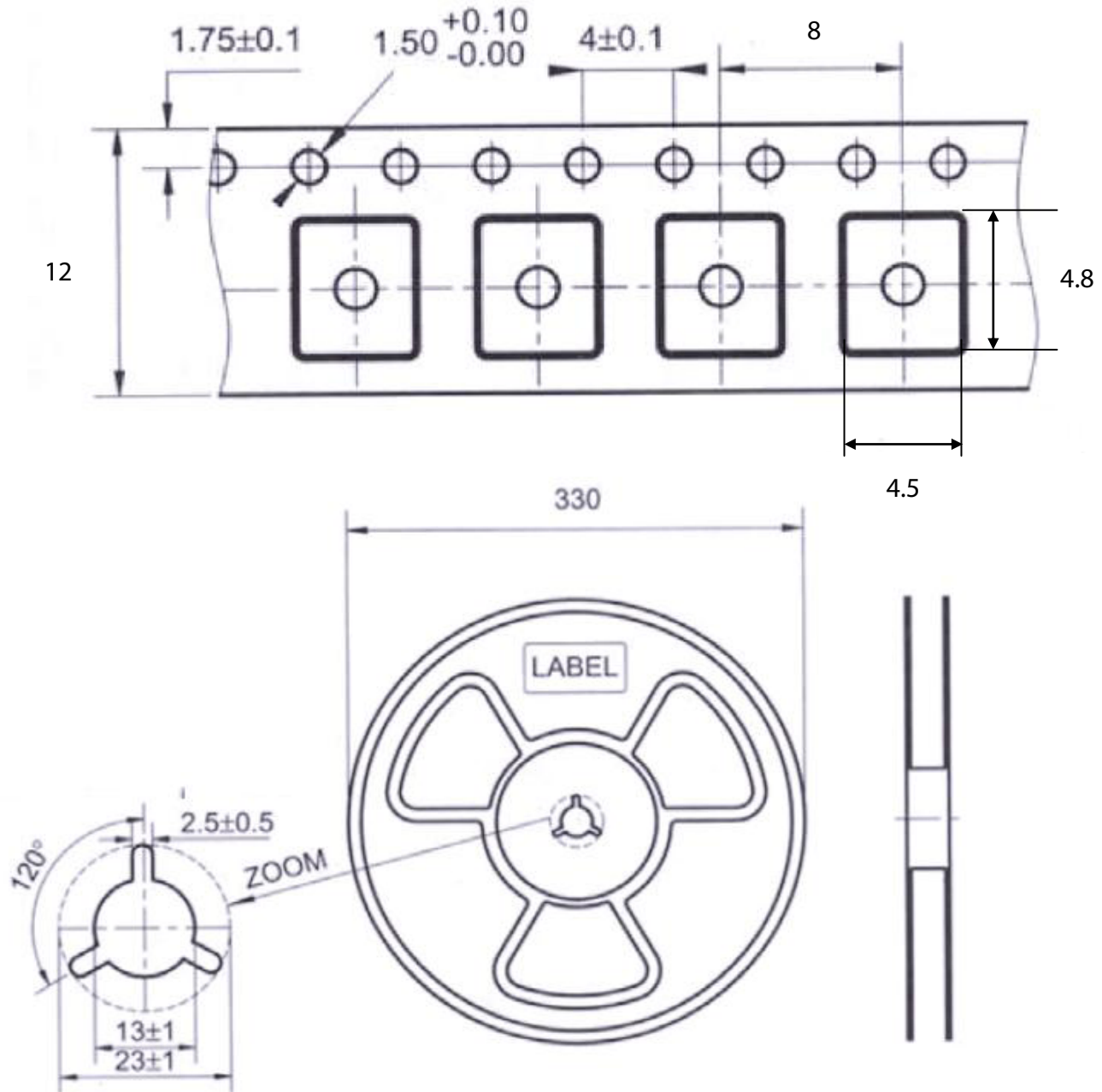


4.5 x 4.1 x 2.1mm

TAPE & REEL

Packing

T= tape and reel (3,000pc/reel)



Dimension: mm

ATTENTION: Abracon LLC's products are COTS – Commercial-Off-The-Shelf products; suitable for Commercial, Industrial and, where designated, Automotive Applications. Abracon's products are not specifically designed for Military, Aviation, Aerospace, Life-dependent Medical applications or any application requiring high reliability where component failure could result in loss of life and/or property. For applications requiring high reliability and/or presenting an extreme operating environment, written consent and authorization from Abracon LLC is required. Please contact Abracon LLC for more information.



5101 Hidden Creek Lane Spicewood TX 78669
Phone: 512-371-6159 | Fax: 512-351-8858
For terms and conditions of sale please visit:
www.abracon.com

REVISED: 02/01/2019

ABRACON IS
ISO9001-2015
CERTIFIED